

## TORQUE WRENCH HIGH CYCLE - TWHC

Max Torque 71,816 Nm at 700 bar  
(53,000 lb-ft at 10,000 psi)



**NEW TECHNOLOGY**

## TORQUE WRENCH - HIGH CYCLE

### Quality means Lower Cost of Ownership:

- Designed for high cycle life: 2-3x more than existing technology
- Increased reliability: Simple drive assembly means less downtime
- Corrosion resistant material for use in harsh environments

### Enhanced Usability:

- Compact nose radius allows the tool to fit in tighter, hard-to-reach spaces
- Low weight, high strength design
- Fast operation, long stroke and optimum flow
- Multi-direction high flow swivel manifold
- Push button square drive reversal and reaction arm positioning
- Push-button release of square drive & reaction arm for all models except TWHC50.

### Designed with Safety in Mind:

- Fully enclosed drive mechanism for operator safety
- Swivel manifold internal relief valve prevents retract side over-pressurization
- Fine tooth pawl prevents tool 'lock-on'

**TWHC CONVERSION CHART,  
SEE PAGE 122**

## TW HANDLE

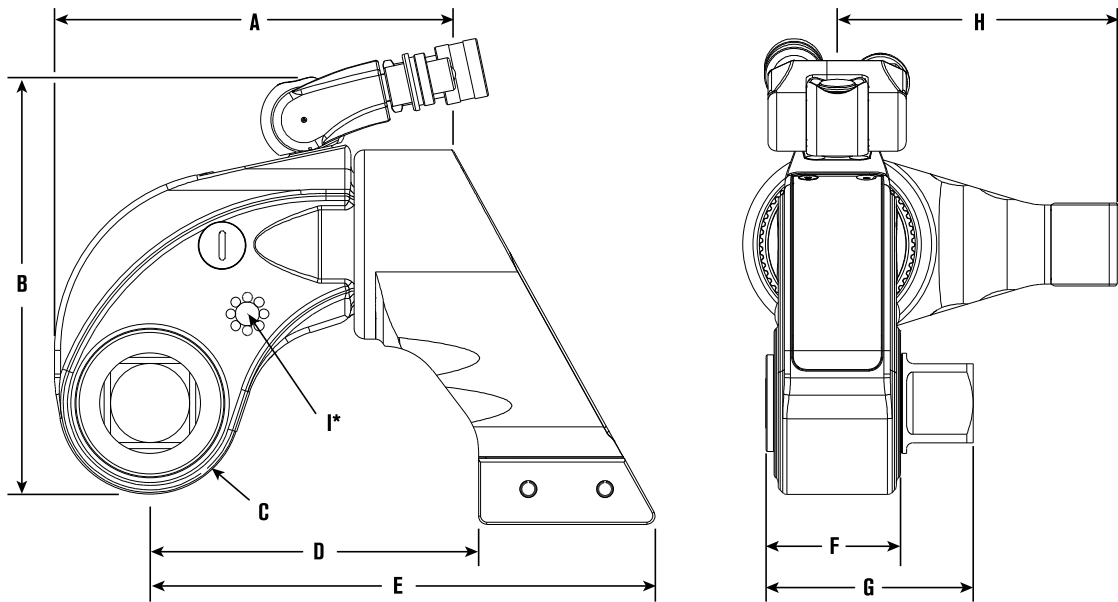


- Robust steel construction with ribbed polymer grip
- Multi-position on tool for balanced handling
- Cap-screw locking with positive 'docking'
- Is suitable for all wrench models (TWHC, TWSD, TWLC), however for larger sizes (TWSD25/TWLC 30/ TWHC50) we recommend the use of eye-bolt lifting.

Order No.	Description	Tool Ref
DFTAS000001	Wrench Handle Size 1	TWSD1
		TWSD3
		TWHC1
		TWHC3
		TWLC2
DFTAS000002	Wrench Handle Size 2	TWSD6
		TWSD11
		TWHC6
		TWLC4
		TWLC8
		TWLC15

## Specifications and Dimensional Data

### TWHC



\* Dimension I shows thread size (on both sides of the tool) for safety handle or lifting point. TWHC50 model available with lifting points only.

Tool Model	Min Torque		Max Torque		Square Drive	A	B	C	D	E	F	G	H	I	Weight	
	Nm	lb-ft	Nm	lb-ft											in	mm
<b>TWHC1</b>	230	170	1,915	1,413	3/4	132 (5.20)	145 (5.71)	28 (1.10)	111.5 (4.39)	170.0 (6.69)	39.5 (1.56)	67.7 (2.67)	86.1 (3.39)	M6 x 1.0	2.8	6.2
<b>TWHC3</b>	510	376	4,249	3,136	1	165 (6.50)	173.5 (6.83)	36.5 (1.44)	129.6 (5.10)	197.7 (7.78)	53 (2.09)	83.7 (3.30)	105.1 (4.14)	M6 x 1.0	5.3	11.7
<b>TWHC6</b>	984	726	8,198	6,050	1-1/2	192 (7.56)	201.6 (7.94)	44 (1.73)	158.5 (6.24)	243.7 (9.59)	61 (2.40)	99.9 (3.93)	135.1 (5.32)	M8 x 1.25	8.8	19.4
<b>TWHC50</b>	8,628	6,360	71,816	53,000	2-1/2	404.5 (15.93)	356.6 (14.04)	88 (3.46)	266.5 (10.49)	446.6 (17.58)	115 (4.53)	192.2 (7.57)	258 (10.16)	M12 x 1.75	69	152

### Ordering Information

Order No.	Description	Order No.	Description	Order No.	Description
<b>TWHC1</b>	Wrench	<b>TWHC1H</b>	Wrench with handle	<b>DFTAS000001</b>	Handle for TWHC1
TWHC3	Wrench	TWHC3H	Wrench with handle	DFTAS000001	Handle for TWHC3
TWHC6	Wrench	TWHC6H	Wrench with handle	DFTAS000002	Handle for TWHC6
TWHC50	Wrench				