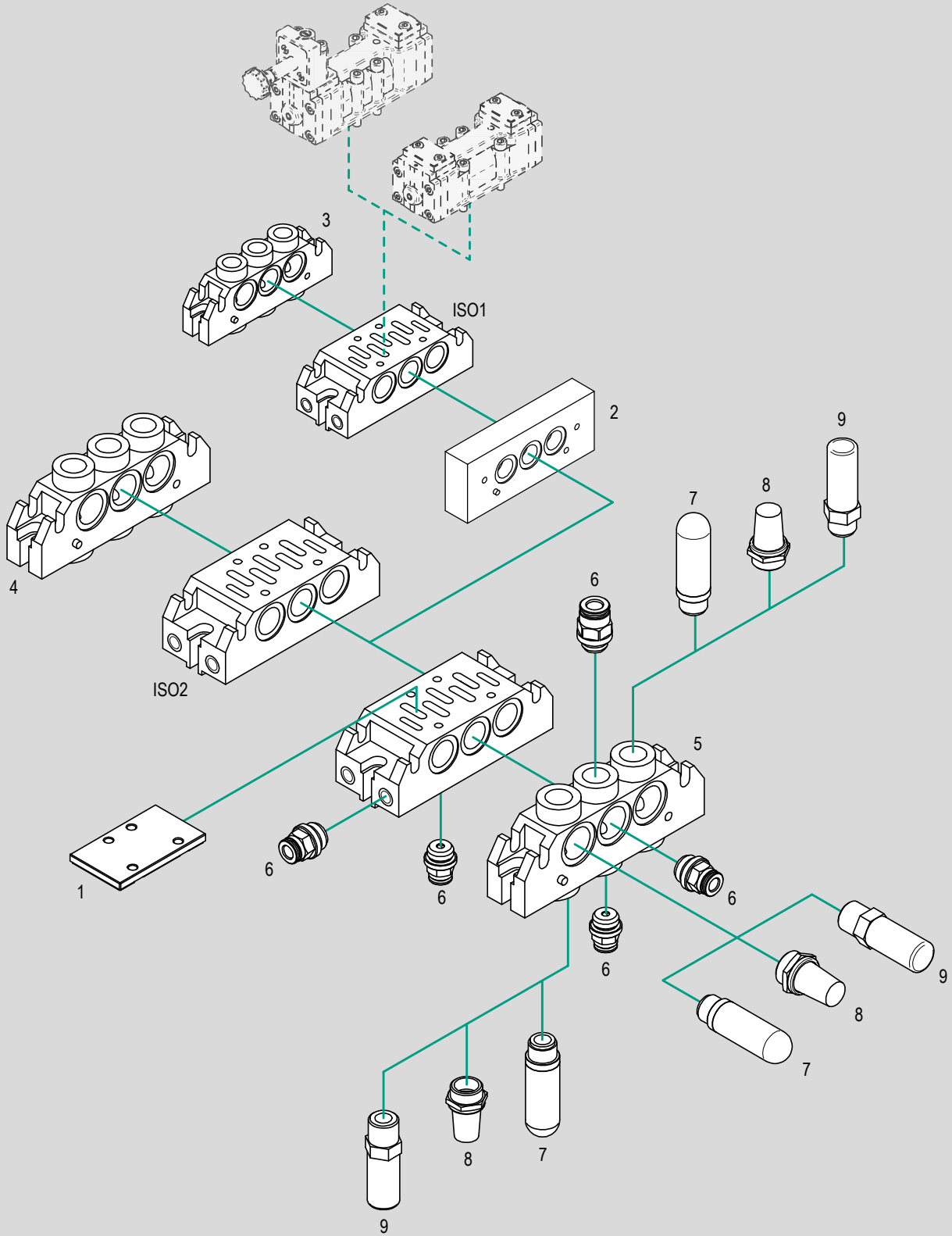
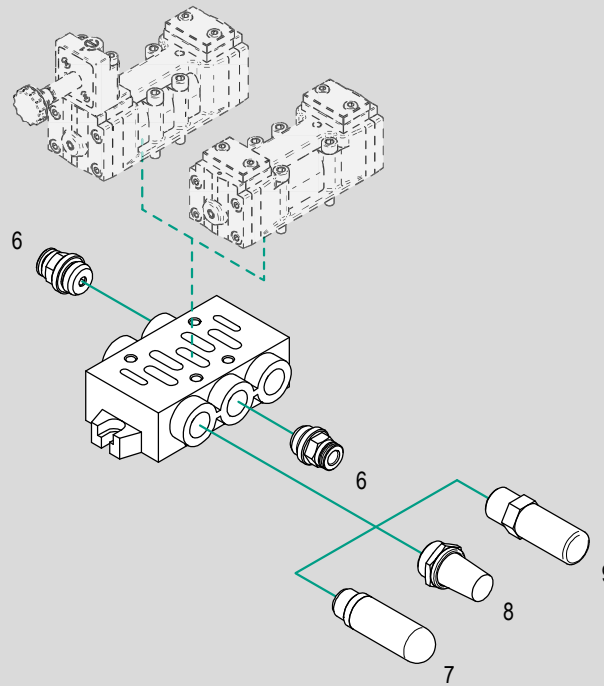


Type: **SBA1M..**
SBA2M..



Type: **SBA1S**
SBA2S



N.	Item	Description	Compliance	Matching				Code key and data sheet page
				SBA1S	SBA2S	SBA1M	SBA2M	
1	SBA1T	Manifold blanking plate for ISO1 sub bases	ISO 5599/1	-	-	●	-	2.107.50
	SBA2T	Manifold blanking plate for ISO2 sub bases	ISO 5599/1	-	-	-	●	
2	SBA1A2	Interface from size ISO1 to ISO2	ISO 5599/1	-	-	●	●	2.107.51
3	SBA1C	Blank manifold end plate for ISO1 sub bases	ISO 5599/1	-	-	●	-	
4	SBA2C	Blank manifold end plate for ISO2 sub bases	ISO 5599/1	-	-	-	●	
5	SBA1A	Ported manifold end plate for ISO1 sub bases	ISO 5599/1	-	-	●	-	2.107.51
	SBA2A	Ported manifold end plate for ISO2 sub bases	ISO 5599/1	-	-	-	●	
6	R..	Push-in fittings	UNI ISO 228/1 UNI ISO7/1 ISO R/232	●	●	●	●	4.2.1
7	AS..	Plastic silencers	-	●	●	●	●	4.151.10
	SP..			●	●	●	●	4.151.20
8	A..	Sintered silencers	-	●	●	●	●	4.153.10
9	M..	Metal silencers	-	●	●	●	●	4.155.10

Key
● matching accessory; - not matching accessory

Main features



Version	Code	Item
Single sub-base	032190	SBA1S

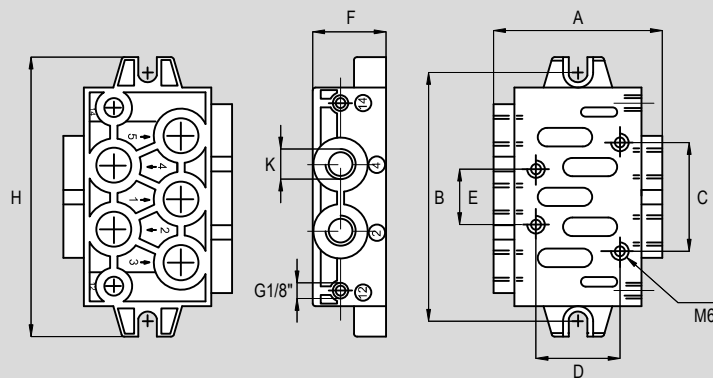
Technical data

Version	Single base
Code	032190
Item	SBA1S
Size	1
Function	Single
Positions	1
Ports	G1/4"
Matching valves	Series ISO 5599/1

Standard materials

Description	Material
Body	Die-cast aluminium

Standard dimensions



Item	Code	Positions	A	B	C	D	E	F	K	H
SBA1S	032190	1	56	82,5	36	28	18	24	1/4"	92,5

Sub-bases for valves series ISO 5599/1
Series SBA1M, ISO1



Main features

Version	Code	Item
Manifold sub-base	032120	SBA1M



Technical data

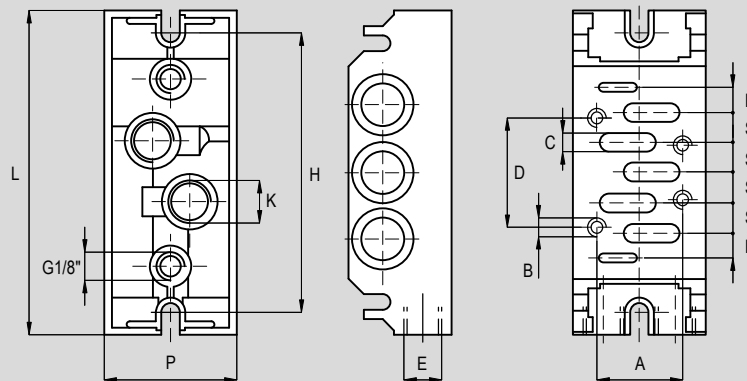
Version	Manifold sub-base
Code	032120
Item	SBA1M
Size	1
Function	Modular
Positions	1
Ports	G1/4"
Matching valves	Series ISO 5599/1

Standard materials

Description	Material
Body	Die-cast aluminium
Seals*	NBR
Screws*	Zinc-plated steel

* The kit include 2 screws and 3 seals

Standard dimensions



Item	Code	Positions	A	B	C	D	R	S	E	H	P	K	L
SBA1M	032120	1	28	M5	4,5	36	8,5	9	1/4"	92	43	1/4"	106

Main features

Version	Code	Item
Single sub-base	032200	SBA2S



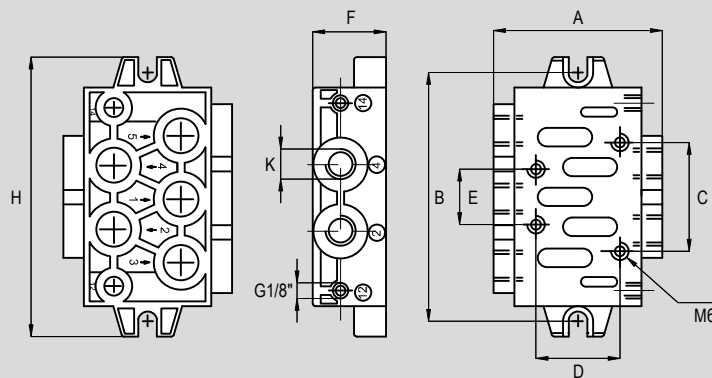
Technical data

Version	Single base
Code	032200
Item	SBA2S
Size	2
Function	Single
Positions	1
Ports	G3/8"
Matching valves	Series ISO 5599/1

Standard materials

Description	Material
Body	Die-cast aluminium

Standard dimensions



Item	Code	Positions	A	B	C	D	E	F	K	H
SBA2S	032200	1	65	100,5	48	38	24	30	3/8"	112,5

Main features

Version	Code	Item
Manifold sub-base	032130	SBA2M



Technical data

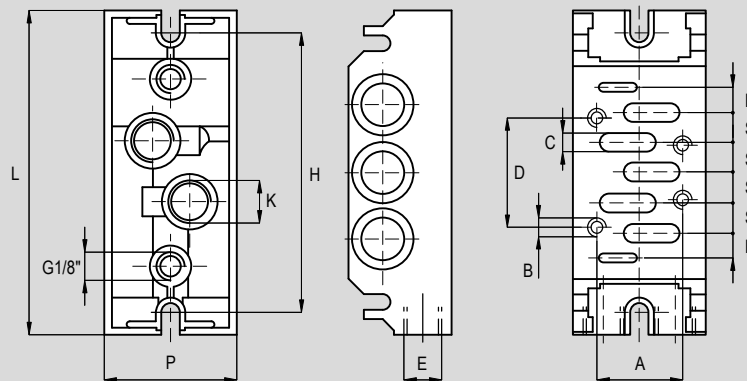
Version	Single base
Code	032130
Item	SBA2M
Size	2
Function	Modular
Positions	1
Ports	G3/8"
Matching valves	Series ISO 5599/1

Standard materials

Description	Material
Body	Die-cast aluminium
Seals*	NBR
Screws*	Zinc-plated steel

* The kit include 2 screws and 3 seals

Standard dimensions



Item	Code	Positions	A	B	C	D	R	S	E	H	P	K	L
SBA2M	032130	1	38	M6	7	48	10	12	3/8"	102	56	3/8"	120

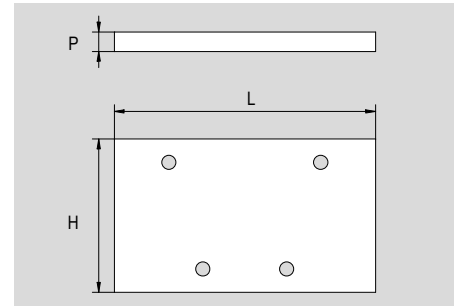
Sub-bases for valves series ISO 5599/1

Accessories for sub-bases



Main features

Version	Code	Item
Manifold blanking plate for unused positions SBA1M	032170	SBA1T
Manifold blanking plate for unused positions SBA2M	032180	SBA2T



Technical data

Version	Manifold blanking plate for unused positions SBA..T	
Code	032170	032180
Item	SBA1T	SBA2T
Size	ISO1	ISO2
Material	Body	Aluminium
	Seals*	NBR
	Screws*	Zinc-plated steel
Matching	Manifold sub-base series SBA1M	Manifold sub-base series SBA2M

* The kit include 4 screws and 1 seal

Dimensions

Item	Code	Size	L	H	P
SBA1T	032170	ISO1	68	40	6
SBA2T	032180	ISO2	80	54	6

Main features

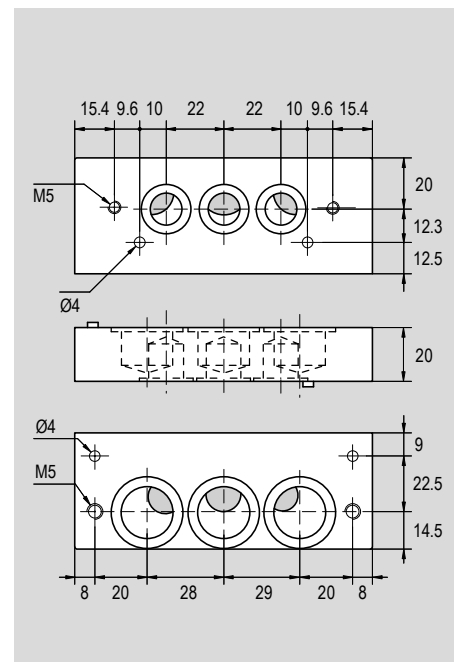
Version	Code	Item
Interfaccia ISO1-ISO2 per sub-bases modulari SBA..M	032160	SBA1A2



Technical data

Version	Interface from size ISO1 to ISO2 for manifold sub-bases SBA..M	
Code	032160	
Item	SBA1A2	
Size	ISO1-ISO2	
Material	Body	Aluminium
	Seals*	NBR
	Screws*	Zinc-plated steel
Matching	Manifold sub-base series SBA1M-SBA2M	

* The kit include 4 screws and 6 seals



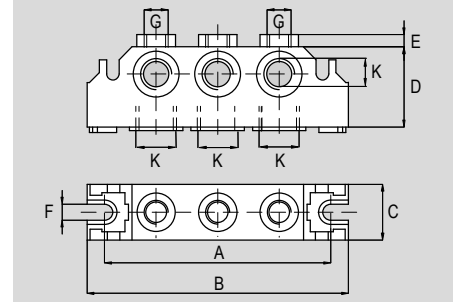
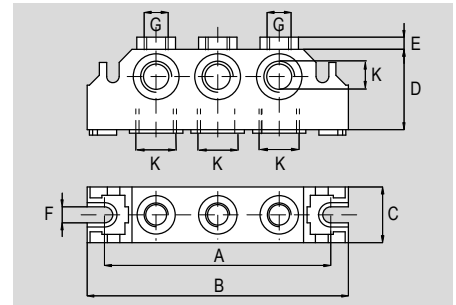
Sub-bases for valves series ISO 5599/1

Accessories for sub-bases



Main features

Version	Code	Item
Blank manifold end plates SBA1M	032140	SBA1C
Blank manifold end plates SBA2M	032150	SBA2C
Ported manifold end plates SBA1M	032141	SBA1A
Ported manifold end plates SBA2M	032151	SBA2A



Technical data

Version		Manifold end plates SBA..M			
Code		032140	032150	032141	032151
Item		SBA1C	SBA2C	SBA1A	SBA2A
Size		ISO1	ISO2	ISO1	ISO2
Material	Body	Aluminium			
	Seals*	NBR			
	Screws*	Zinc-plated steel			
Function		Blank manifold end plates		Ported manifold end plates	
Matching		Manifold sub-base SBA1M	Manifold sub-base SBA2M	Manifold sub-base SBA1M	Manifold sub-base SBA2M

* The kit include 2 screws and 3 seals

Dimensions

Item	Code	Size	A	B	C	D	E	F	G	K
SBA1C	032140	ISO1	92	106	22	36	8	5,5	1/4"	3/8"
SBA2C	032150	ISO2	102	120	29	43	7	6,5	1/4"	1/2"
SBA1A	032141	ISO1	92	106	22	36	8	5,5	1/4"	3/8"
SBA2A	032151	ISO2	102	120	29	43	7	6,5	1/4"	1/2"