

# Rod accessories for cylinders

## Bearings - Bearing heads



### Main features

8 ÷ 320

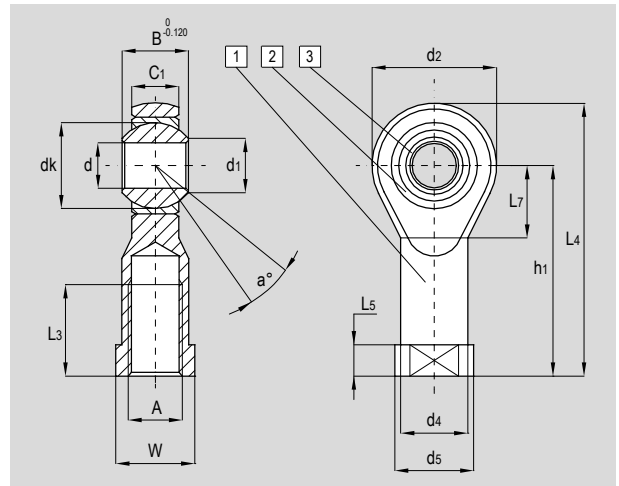


RF..SE

Bores Ø

8139

Type



### Options

Description	Suffix
Left thread	S
Special versions on request	/S

### Technical data

Type	Description	Temperature range
RF..SE	Bearings. Bearing head (DIN 648K) self lubricating and servicing free, with female thread.	-30°C ÷ +150°C

### Standard materials

Position	Description	Material
1	Body	Zinc-plated / nichel-plated steel
2	Sphere	Hardened ground polished steel
3	External ring	Self lubricated brass / PTFE

### Dimensions

For cylinders ISO Ø mm	Code	Item	d <sub>h6</sub> (thread)	A <sub>h7</sub>	B	C <sub>1</sub>	d <sub>1</sub>	d <sub>2</sub>	d <sub>4</sub>	d <sub>5</sub>	dk	h <sub>1</sub>	L <sub>3</sub>	L <sub>4</sub>	L <sub>5</sub>	L <sub>7</sub>	W	a°	Static load (daN)	Weight (g)
8-10	041551	RF5SE	M4	5	8	6	7,7	18	9	11	11,11	27	10	36	4	10	9	13	600	20
12-16	041552	RF6SE	M6	6	9	6,75	8,9	20	10	13	12,70	30	12	40	5	11	11	13	700	25
20	041553	RF8SE	M8	8	12	9	10,4	24	12,5	16	15,88	36	16	48	5	13	14	14	1200	47
25-32	041554	RF10SE	M10x1,25	10	14	10,5	12,9	28	15	19	19,05	43	20	57	6,5	15	17	13	1400	88
40	041555	RF12SE	M12x1,25	12	16	12	15,4	32	17,5	22	22,23	50	22	66	6,5	17	19	13	1900	140
50-63	041557	RF16SE	M16x1,5	16	21	15	19,3	42	22	27	28,58	64	28	85	8	23	22	15	4800	250
80-100	041559	RF20SE	M20x1,5	20	25	18	24,3	50	27,5	34	34,93	77	33	102	10	27	30	14	5200	430
125	041562	RF30SE	M27x2	30	37	25	34,8	70	40	50	50,80	110	51	145	15	36	41	17	10800	1200
160-200	041563	RF35SE	M36x2	35	43	28	37,7	80	46	58	57,15	125	56	165	17	41	50	19	12400	1959
250	041571	RF40SE	M42x2	40	49	33	45,2	91	53	65	66,67	142	60	187,5	19	45	55	17	-	-
320	041572	RF50SE	M48x2	50	60	45	56,6	117	65	75	82,50	160	65	218,5	23	58	65	12	-	-

**Note:** available also with coarse pitch thread and other sizes. For availability and codes, please contact the sales department.