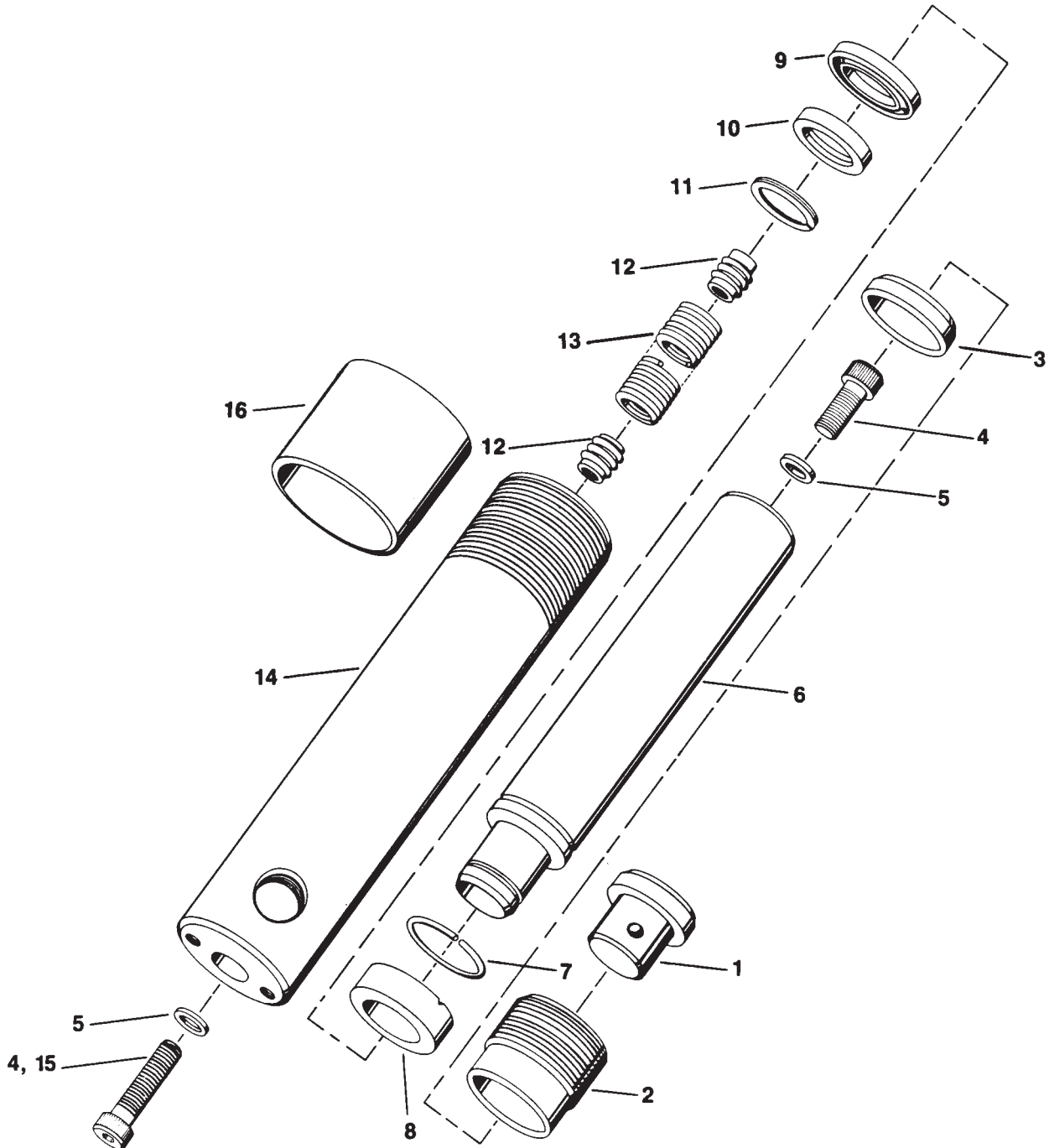


Parts List for:

2R251S	C252CK	C256C-MBI
2R252S	C254C	C258C
2R254S	C254CK	C258CK
2R256S	C254C-EM	C2510C
2R2510S	C256C	C2512C
58331	C256CK	C2514C
C251C	C256CN	C2514C-MBI
C252C	C256C-JWI	C256C-ABC

SINGLE-ACTING, SPRING RETURN HYDRAULIC CYLINDER

Max. Capacity: 25.8 Ton at 10,000 PSI



Parts List, Form No. 100397, Back sheet 1 of 2

Item No.	Part No.	No. Req'd	Description
1	201412	1	Thread Adapter (For all except C256C-MBI & C2514C-MBI)
2	36085	1	Retainer Nut (For all models except C256C-JWI; Apply Loctite #242 or equivalent; Torque to 90/100 ft. lbs.)
	351056	1	Retainer Nut (For C256C-JWI; Apply Loctite #242 or equivalent; Torque to 90/100 ft. lbs.)
3	*16085	1	Rod Wiper
	†205716	1	Rod Wiper
4	10053	1	Soc. Hd. Cap Screw (3/8-16 x 1-1/4 Lg.; Torque to 400/425 in. lbs. For 58331, 2R256S, 2R2510S, C256C, C256C-MBI, C258C, C2510C, C2512C, C2514C, C254C, C254CK, C256CK, C258CK, C256C-JWI, C2514C-MBI, C256CN & C256C-ABC)
	10053	2	Soc. Hd. Cap Screw (3/8-16 x 1-1/4 Lg.; Torque to 400/425 in. lbs. For 2R251S, 2R252S, 2R254S, C251C, C252C, C252CK, & C254C-EM)
5	*†12042	2	Copper Washer (9/16 x 3/8 x 1/32)
6	43225	1	Piston Rod (For 2R251S & C251C)
	43202	1	Piston Rod (For 2R252S, C252C, & C252CK)
	43116	1	Piston Rod (For 2R254S, C254C & C254CK)
	42181	1	Piston Rod (For 2R256S, C256C, C256CK, C256C-MBI, C256CN, & C256C-ABC)
	46419	1	Piston Rod (For C258C & C258CK)
	42182	1	Piston Rod (For 2R2510S & C2510C)
	420353	1	Piston Rod (For C2512C)
	42183	1	Piston Rod (For 58331, C2514C, C2514C-MBI)
	420098	1	Piston Rod (For C254C-EM)
	421029	1	Piston Rod (For C256C-JWI)
7	---	1	Retaining Ring (Note: This part assembled on piston rod [Item #6].)
8	201352	1	Piston Head (Assemble with groove toward shoulder.)
9	*15915	1	U-cup Piston Seal
	†205705	1	U-cup
10	201353	1	Slip Retainer
11	*16084	1	Retaining Ring
12	201417	2	Spring Retainer (See diagram on page 2 of 2)
13	204453	1	Extension Spring (For 2R251S & C251C)
	204389	1	Extension Spring (For 2R252S, C252C & C252CK)
	204276	1	Extension Spring (For 2R254S, C254C, C254CK & C254C-EM)
	201448	1	Extension Spring (For 2R256S, C256C, C256CK, C256C-MBI, C256CN, C256C-JWI & C256C-ABC)
	212788	1	Extension Spring (For C258C & C258CK)
	201449	1	Extension Spring (For 2R2510S & C2510C)
	250640	1	Extension Spring (For C2512C)
	201450	1	Extension Spring (For 58331, C2514C, & C2514C-MBI)
14	51261	1	Cylinder Body (For 2R251S & C251C)
	51241	1	Cylinder Body (For 2R252S, C252C & C252CK)
	51213	1	Cylinder Body (For 2R254S, C254C & C254CK)
	58080	1	Cylinder Body (For C254C-EM)
	50821	1	Cylinder Body (For 2R256S, C256C, C256CK, C256C-MBI, C256C-JWI & C256C-ABC)
	52746	1	Cylinder Body (For C258C & C258CK)
	50823	1	Cylinder Body (For 2R2510S & C2510C)
	58200	1	Cylinder Body (For C2512C)
	50825	1	Cylinder Body (For C2514C, & C2514C-MBI)
	58325	1	Cylinder Body (For 58331)
	58554	1	Cylinder Body (For C256CN)
15	11531	1	Soc. Hd. Cap Screw (3/8-16 x 2" Lg.; Torque to 400/425 in. lbs. For 58331, 2R256S, 2R2510S, C256C, C258C, C2510C, C2512C, C2514C, C256CK, C258CK, C256CN, C256C-JWI & C256C-ABC)
	10984	1	Soc. Hd. Cap Screw (3/8-16 UNC x 1 1/2" Lg.; Torque to 400/425 in. lbs. For C254C & C254CK)
16	36147	1	Thread Protector (Plastic)

PARTS INCLUDED BUT NOT SHOWN

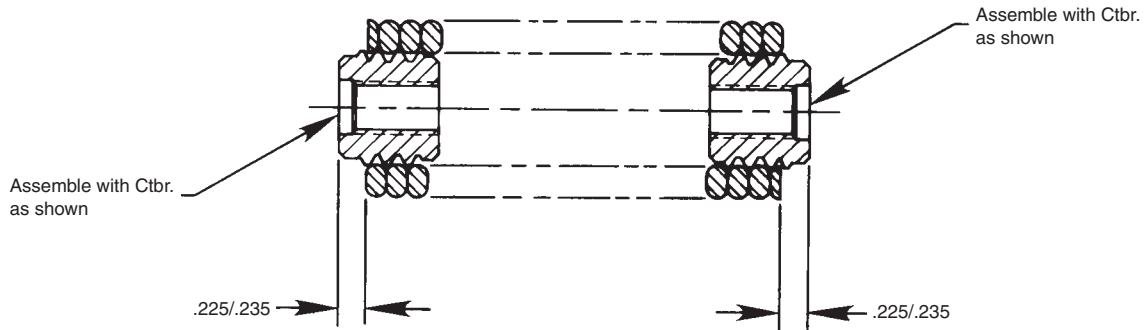
420655BK2	1	Lift Handle Assembly (For C252CK, C254CK, C256CK & C258CK only)
9796	1	Ram Half Coupler (For C251C, C252C, C252CK, C254C, C256C, C258C, C2510C, C2512C, 58331, C254CK, C256CK, C258CK, C256C-JWI, C2514C, C256CN, & C256C-ABC)
210916	1	Ram Half Coupler (For 2R251S, 2R252S, 2R254S, 2R256S, & 2R2510S)

Continued -

Item No.	Part No.	No. Req'd	Description
	211061	1	Pipe Plug (For C256C-MBI & C2514C-MBI)
	420017	1	Complete Coverage Decal (For C251C)
	420118	1	Complete Coverage Decal (For C252C & C252CK)
	420119	1	Complete Coverage Decal (For C254C & C254CK)
	420120	1	Complete Coverage Decal (For C256C, C256CK, & C256C-ABC)
	420121	1	Complete Coverage Decal (For C258C & C258CK)
	420122	1	Complete Coverage Decal (For C2510C)
	420354	1	Complete Coverage Decal (For C2512C)
	420123	1	Complete Coverage Decal (For C2514C)
	210475	1	Trade Name Decal (For 2R251S)
	210476	1	Trade Name Decal (For 2R252S)
	210477	1	Trade Name Decal (For 2R254S)
	210478	1	Trade Name Decal (For 2R256S)
	210848	1	Trade Name Decal (For 2R2510S)
	202173	1	Decal (For C256CN)
	*203908	1	Warning Decal (For 58331, 2R251S, 2R252S, 2R256S, C254C-EM, C256C-JWI & C256CN)
	251451	1	Warning Decal (For C256C-MBI, C2514C-MBI)
	*37782	1	Warning Decal (For 2R2510S)
	†206556	1	U-cup Backup Washer
	†19526	1	O-ring (1" x 3/4 x 1/8 for coupler)
	†205724	1	Decal (Viton)

Part numbers marked with an asterisk (*) are contained in Standard Repair Kit No. 300147.
 Part numbers marked with a dagger (†) are contained in Viton Seal Kit No. 300213.

SPRING & RETAINER ASSEMBLY



**Spring must not extend beyond threads spring retainer on either end.
 Stretch, clean and lubricate before assembly.**

Refer to any operating instructions included with this product for detailed information about operation, testing, disassembly, reassembly, and preventive maintenance.

Items found in this parts list have been carefully tested and selected. **Therefore: Use only genuine Power Team replacement parts!**

Additional questions can be directed to our Technical Services Department.