

Plates for valves series A1

Series PSV



Main features

Version	Code	Item
Plate for cylinder ISO 15552 type AMA/BMA 32-40	071458	PSV/A1/AMA-32-40
Plate for cylinder ISO 15552 type AMA/BMA 50-63	071459	PSV/A1/AMA-50-63
Plate for cylinder ISO 15552 type AMA/BMA 80-100-125	071460	PSV/A1/AMA-80-100-125
Plate for cylinder ISO 15552 type AMT 160-200	070822	PSV/A1/AMT-160-200



Notes

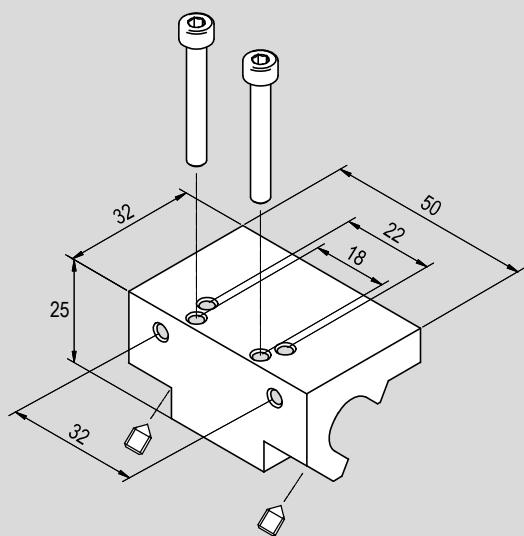
Kit include n. 2 screws and n. 2 grains

Standard materials

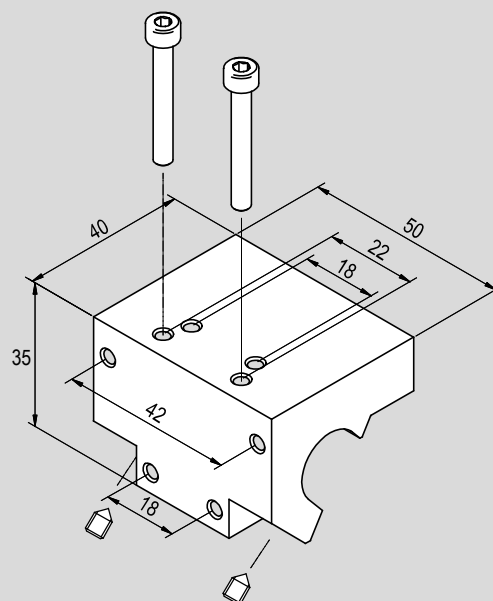
Description	Material
Body	Neutral anodized aluminium S11
Screws	Stainless Steel
Grains	Steel

Standard dimensions

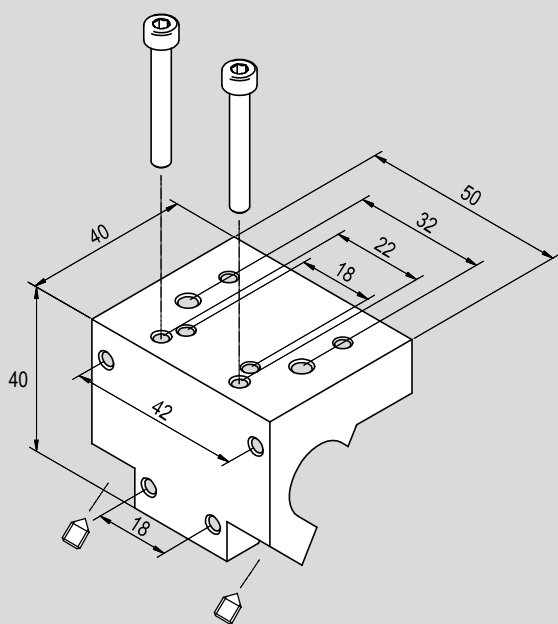
Type: **PSV/A1/AMA-32-40**



Type: **PSV/A1/AMA-50-63**



Type: **PSV/A1/AMA-80-100-125**



Type: **PSV/A1/AMT-160-200**

