

# COMPACT ELECTRIC TORQUE WRENCH PUMP

PE39  
700 bar/10,000 psi



# 700 BAR (10,000 PSI) COMPACT ELECTRIC TORQUE WRENCH PUMP

The PE39 is compact and capable of being used in a vertical or horizontal orientation. Based on proven pump design for reliability in rugged torque wrench applications to support operation and maintenance requirements.

### Quality means Lower Life-Cycle Costs:

- Over 100,000 cycles
- Continuous duty up to 50°C (122°F) ambient
- Proven design = proven reliability

### Enhanced Usability:

- Light weight and portable: 17.7 kg (39 lb)
- Removable control pendant (5 m/15 ft cord length)
- Removable 100 mm (4") calibration-capable gauge
- Universal Motor for reduced voltage applications (up to -20% nominal voltage)
- Vertical or horizontal operation
- Easy install cooling fan as option

### Designed with Safety in Mind:

- Easily adjusted pressure regulator (relief) valve
- Fixed 103 bar (1,500 psi) retract relief valve pressure

## DESIGNED FOR

Electric



Air



Gas



Hand



MAINTENANCE & REPAIR

ORIGINAL INSTALL

Split



Tension



Torque



Max Flow



To be used with torque wrenches, pages 10-31

## Specifications and Dimensional Data

**Size (L x W x H):** 35 cm x 27.4 cm x 60 cm  
13.8" x 10.8" x 23.7"

**Weight:** 17.7 kg (39 lb) [without Oil]

**Maximum Oil Capacity:** (non-vented reservoir)  
1.9 L (0.5 Gallons) [to fill line]  
1.5 L (0.4 Gallons) [usable]

**Operating Environment:** -25°C to +50°C  
(-13°F to +122°F)

(When operating near temperature extremes, it is recommended to use hydraulic oils that are rated for those temperatures. Refer to service manuals and cooling options)

**Sound Level:** 87 – 92 dBA (max)

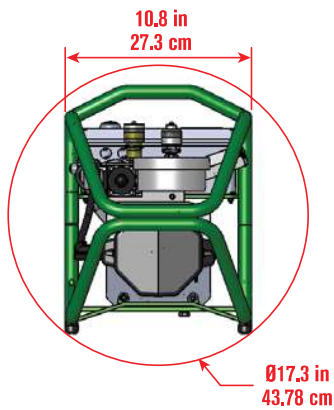
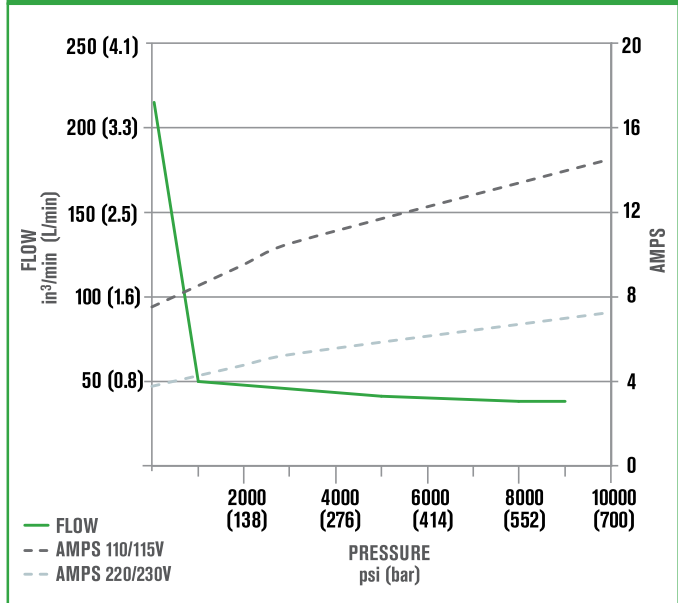
**Pressure:** 0 - 700 bar (0 - 10,000 psi)

**Typical Flow:** 3.7 L/min - 0.64 L/min  
(225 in<sup>3</sup>/min - 39 in<sup>3</sup>/min)

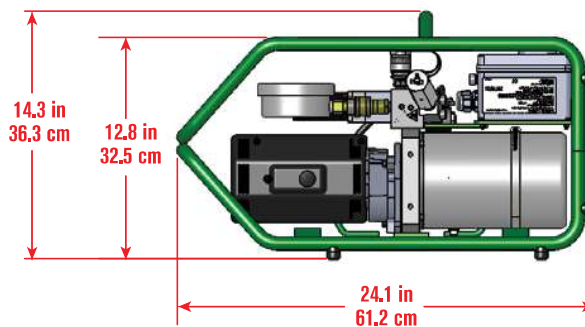
**Power:** 1.3 hp Universal Motor  
110/115V - 50/60 Hz (14.5 amps)  
220/230V - 50/60 Hz (7.2 amps)



### Typical Flow Curve



Vertical or Horizontal Operation



## Ordering Information

Order No.	Description
PE39YED1PR	110/115VAC
PE39YED1BPR	110/115VAC with cooling option
PE39PED1PR	220/230VAC
PE39PED1BPR	220/230VAC with cooling option

### OPTIONS

- Auxiliary Cooling Fan (Field Installable)  
Order No. 3000610