

SPARE PART LIST VARAOSALUETTELO

FINN-POWER P16 HPZ 1.1

DATE: 080624

080624

FINN-POWER ©

P16 HPZ 1.1

Drawings and part lists

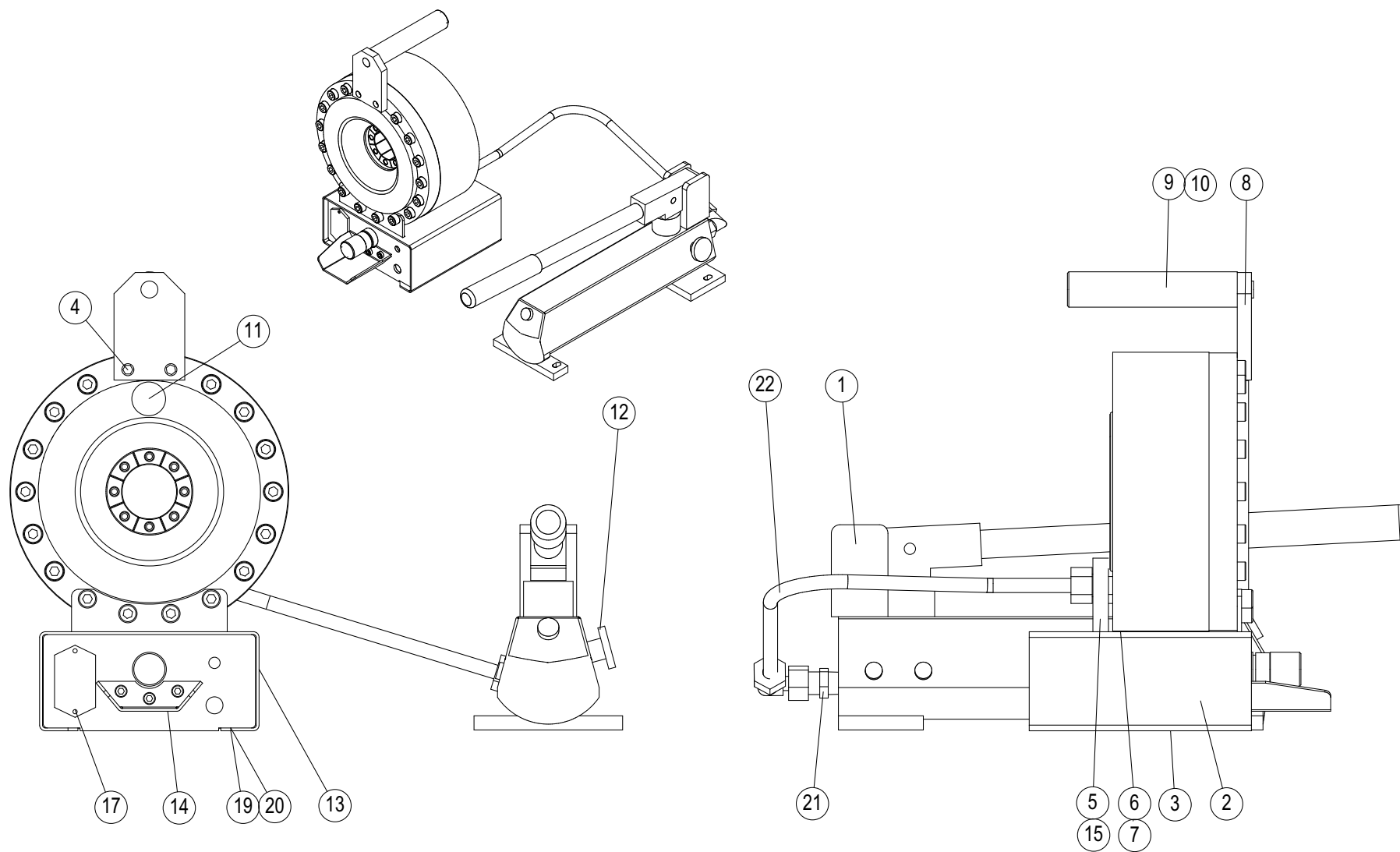
No

Piirustukset ja osaluettelot

EQUIPMENT
CRIMPING UNIT
ELECTRICAL COMPON.
CONTROL DEVICE

704459
63265
676004
691561

VARUSTELU
PURISTUSYKSIKKÖ
SÄHKÖVARUSTEET
MITTALAITE



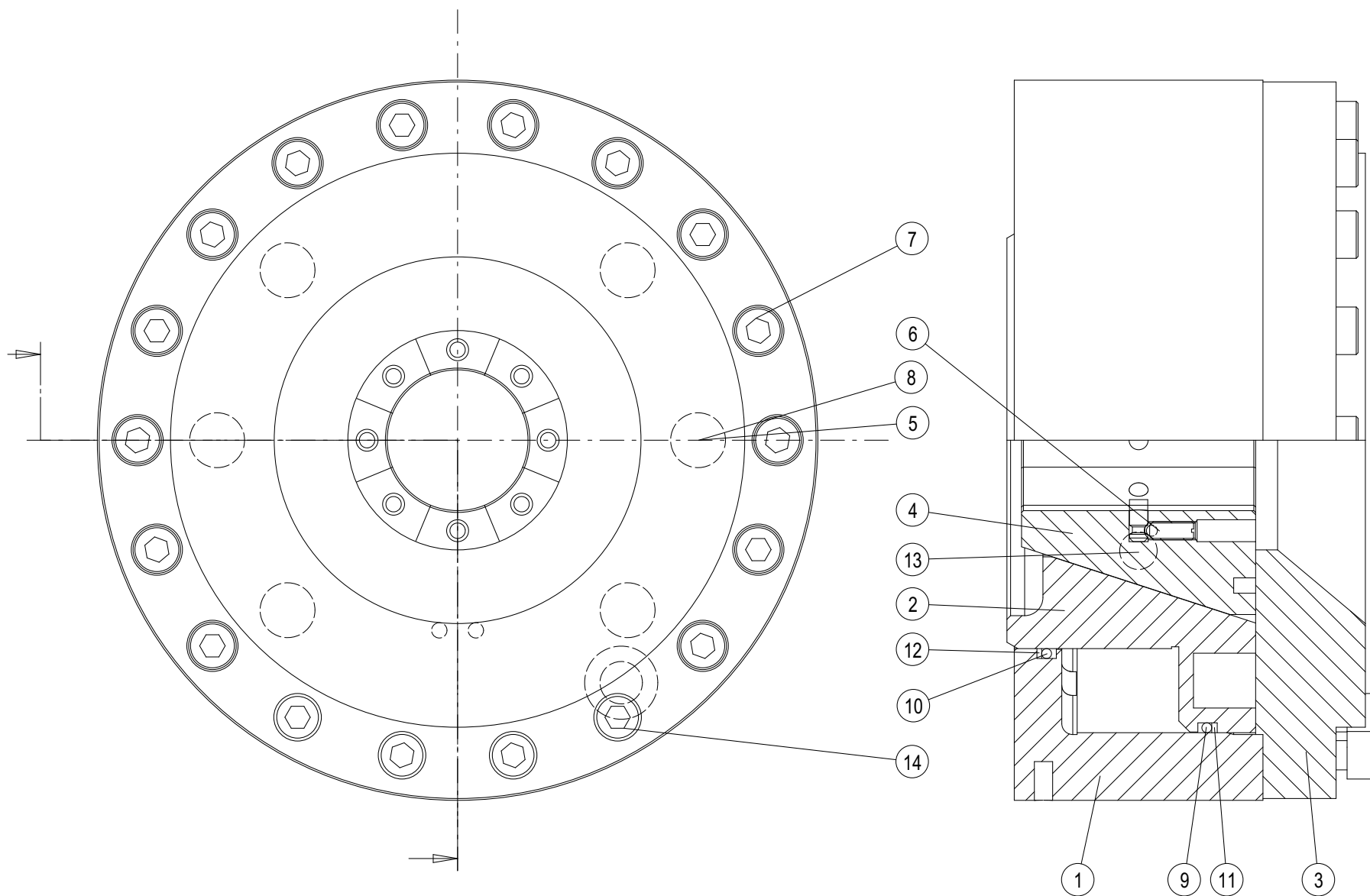
704459

EQUIPMENT

VARUSTELU

FINN-POWER ©

| NO | CODE | REV | QTY | NAME | DESCRIPTION | NIMITYS |
|----|--------|-----|-----|--------------------------------|-------------|------------------------------|
| 1 | 704003 | | 1 | PUMP | | PUMPPU |
| 2 | 701884 | A | 1 | BASE | | ALUSTA |
| 3 | 701887 | | 1 | BOTTOM PLATE | | POHJALEVY |
| 4 | 031243 | | 2 | SCREW | | KUUSIOKOLORUUVI |
| 5 | 301726 | | 1 | HOLDER | | PIDIN |
| 6 | 031226 | | 1 | SCREW | | KUUSIOKOLORUUVI |
| 7 | 033304 | | 5 | WASHER | | ALUSLEVY |
| 8 | 701888 | | 1 | FLAT BAR | | LATTATANKO |
| 9 | 11995 | A | 1 | ROD | | VARSII |
| 10 | 054023 | | 1 | HANDLE | | KAHVA |
| 11 | 003199 | | 1 | STICKER "MIND YOUR HANDS" | | TARRA "VARO KÄSIÄSI" |
| 12 | 003328 | | 1 | STICKER | | TARRA |
| 13 | 003333 | A | 1 | STICKER "CRIMPING DIAM. CHART" | | TARRA "PURIST.MITTATAULUKKO" |
| 14 | 702610 | | 1 | COVER DUCT | | SUOJAKOURU |
| 15 | 031217 | | 2 | SCREW | | KUUSIOKOLORUUVI |
| 17 | 032402 | | 2 | SCREW | | URARUUVI |
| 19 | 031310 | | 7 | SCREW | | KUUSIOKOLORUUVI |
| 20 | 033222 | | 7 | RIVET NUT | | NIITTIMUTTERI |
| 21 | 042002 | | 1 | DOUBLE NIPPLE | | KAKSOISNIPPA |
| 22 | 701890 | | 1 | HOSE ASSEMBLY | | LETKUASENNELMA |



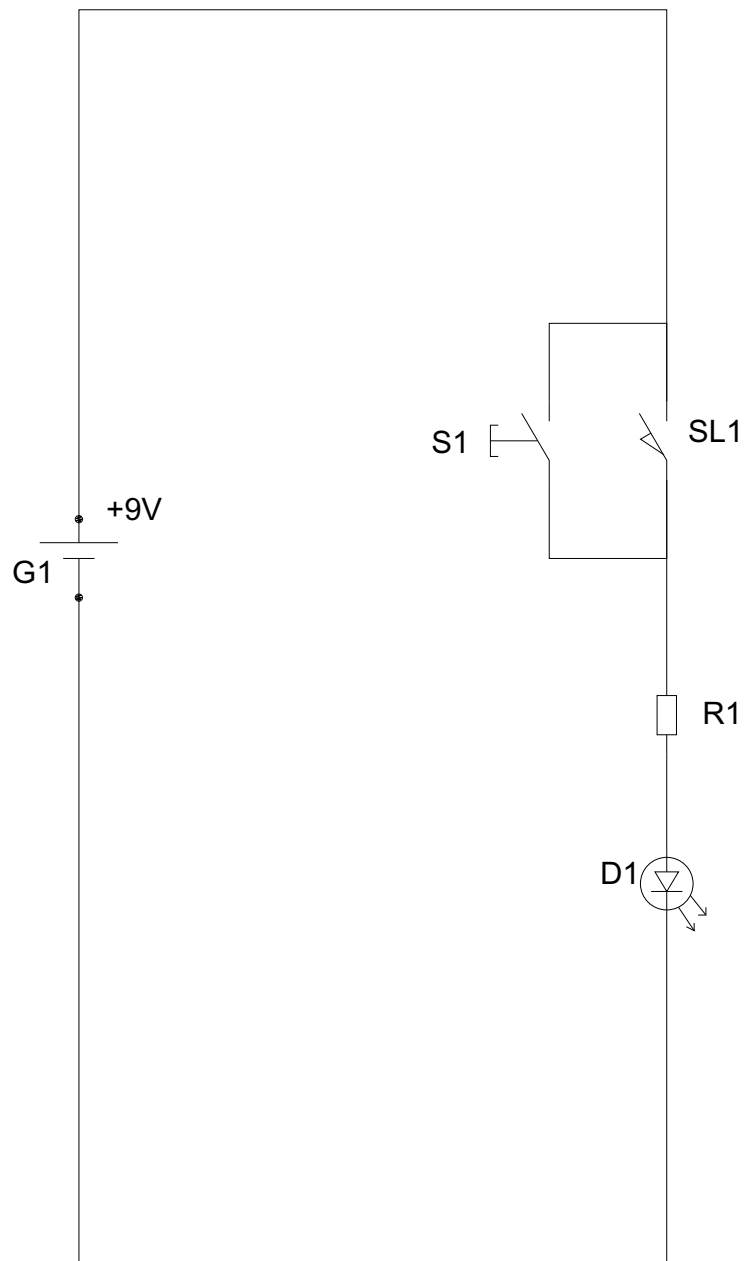
63265

CRIMPING UNIT

PURISTUSYKSIKKÖ

FINN-POWER ©

| NO | CODE | REV | QTY | NAME | DESCRIPTION | NIMITYS |
|----|---------|-----|-----|----------------------|-------------|-----------------|
| 1 | 131161 | B | 1 | CYLINDER | | SYLINTERI |
| 2 | 131162 | C | 1 | PISTON | | MÄNTÄ |
| 3 | 141193 | | 1 | FRONT FLANGE | | ETULAIPPA |
| 4 | 301725 | | 1 | MASTER DIE SET | | PERUSLEUKASARJA |
| 5 | 053092 | | 6 | PRESSING SPRING | | PURISTUSJOUSI |
| 6 | 054169 | | 8 | FLEXIBLE PUSH-BUTTON | | JOUSTAVA PAININ |
| 7 | 031241 | | 14 | SCREW | | RUUVI |
| 8 | 053089 | | 6 | PRESSING SPRING | | PURISTUSJOUSI |
| 9 | 0480148 | | 1 | O-RING | | O-RENGAS |
| 10 | 048015 | | 1 | O-RING | | O-RENGAS |
| 11 | 048632 | | 1 | SUPPORTING RING | | TUKIRENGAS |
| 12 | 048624 | | 1 | SUPPORTING RING | | TUKIRENGAS |
| 13 | 053093 | | 8 | PRESSING SPRING | | PURISTUSJOUSI |
| 14 | 031242 | | 4 | SCREW | | KUUSIOKOLORUUVI |



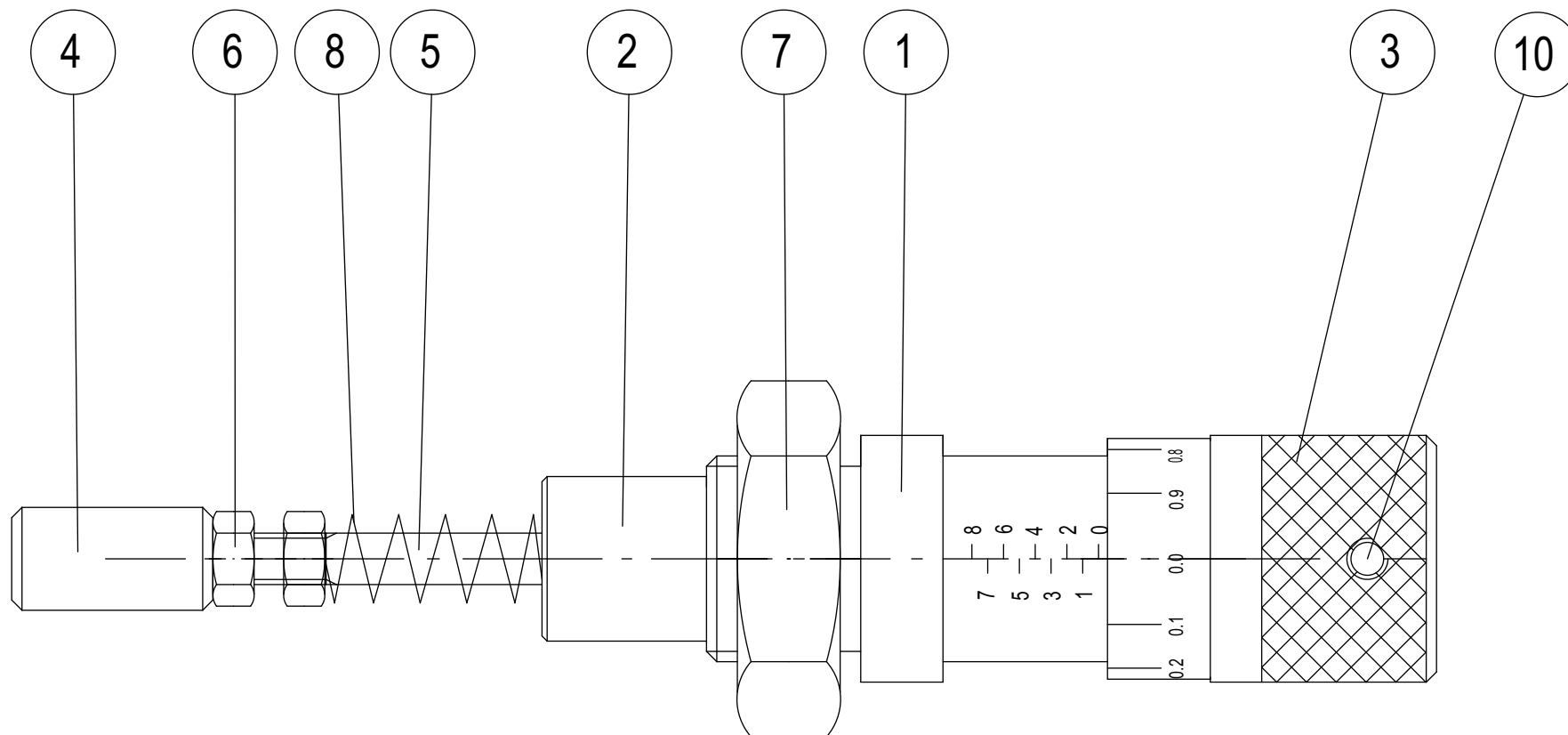
676004

ELECTRICAL COMPON.

SÄHKÖVARUSTEET

FINN-POWER ©

| NO | CODE | REV | QTY | NAME | DESCRIPTION | NIMITYS |
|--------|--------|-----|-----|-------------|-------------|----------------|
| D1 | 061017 | | 1 | LED | | LED |
| R1 | 064053 | | 1 | RESISTANCE | | VASTUS |
| GB1 | 072260 | | 1 | BATTERY BOX | | PARISTOKOTELO |
| GB1 | 072261 | | 1 | BATTERY | | NEPPARIPARISTO |
| S1/SL1 | 092004 | | 1 | PUSH-BUTTON | | PAINONAPPI |



691561

CONTROL DEVICE

MITTALAITE

FINN-POWER ©

| NO | CODE | REV | QTY | NAME | DESCRIPTION | NIMITYS |
|----|---------|-----|-----|-----------------|-------------|-----------------|
| 1 | 702709 | A | 1 | FRAME | | RUNKO |
| 2 | 111576 | | 1 | SPINDLE | | KARA |
| 3 | 702711 | A | 1 | ADJUSTING KNOB | | SÄÄTÖNUPPI |
| 4 | 111578 | | 1 | BACK STOP | | VASTE |
| 5 | 0312132 | | 1 | SCREW | | KUUSIOKOLORUUVI |
| 6 | 033003 | | 2 | NUT | | KUUSIOMUTTERI |
| 7 | 033029 | | 1 | HEXAGONAL NUT | | KUUSIOMUTTERI |
| 8 | 053019 | | 1 | PRESSING SPRING | | PURISTUSJOUSI |
| 10 | 424778 | | 1 | CLAMP SCREW | | PIDÄTINRUUVI |