

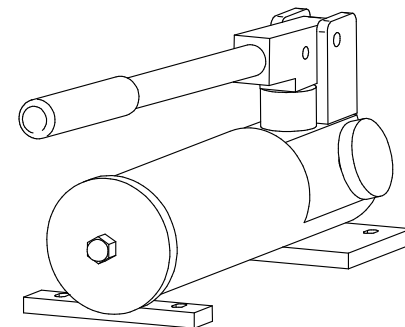
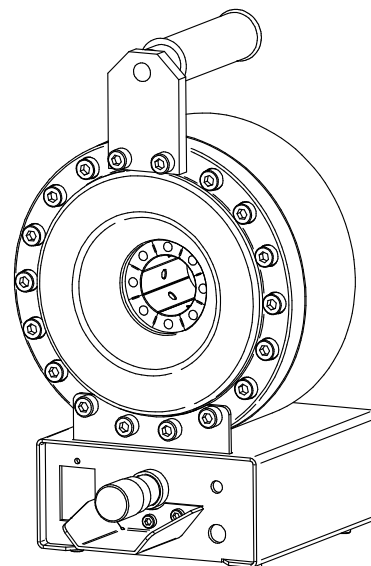
FINN-POWER

Crimping since 1973

SPARE PART LIST VARAOSALISTA

FINN-POWER
P16HPZ

ver. 1.3

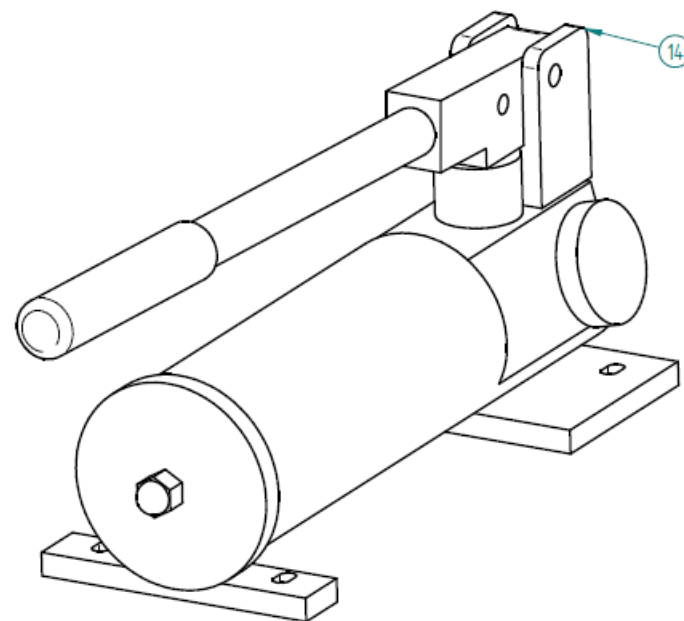
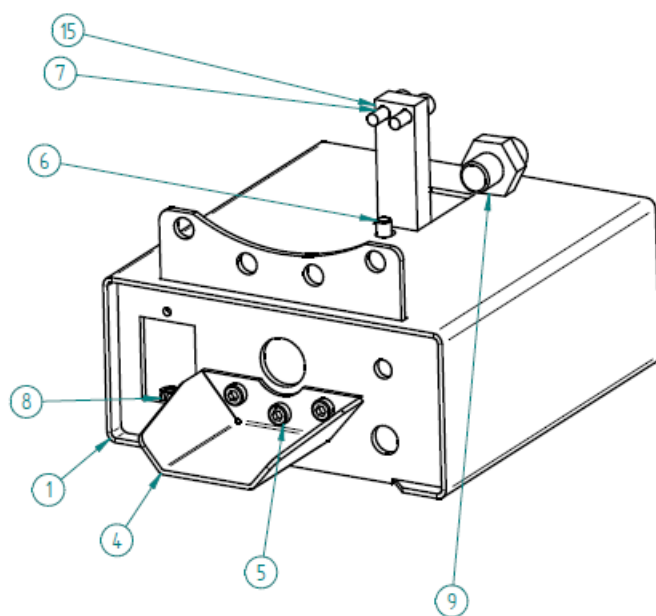
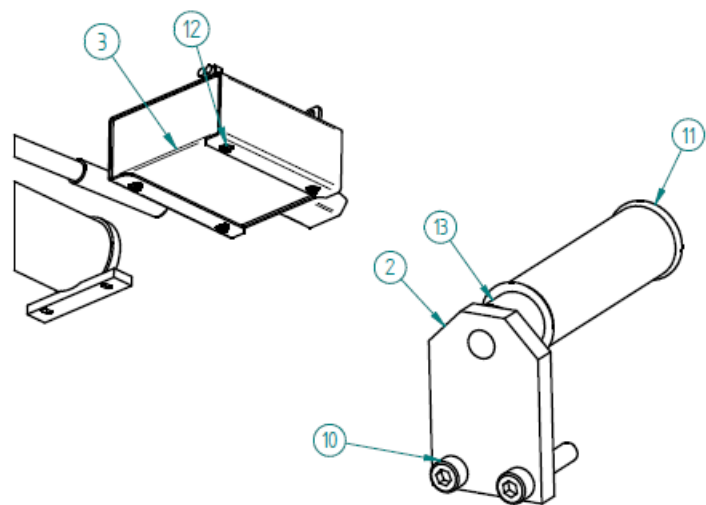


Released/Julkaistu 9/2015

SPARE PART KITS

VARAOSAPAKETIT

F/N	Part Number	Description	Nimitys	Qty
*1	MD-P16A	MASTER DIE KIT	PERUSLEUKASARJA	1
*2	SK-P16A	SEAL KIT	TIIVISTESARJA	1

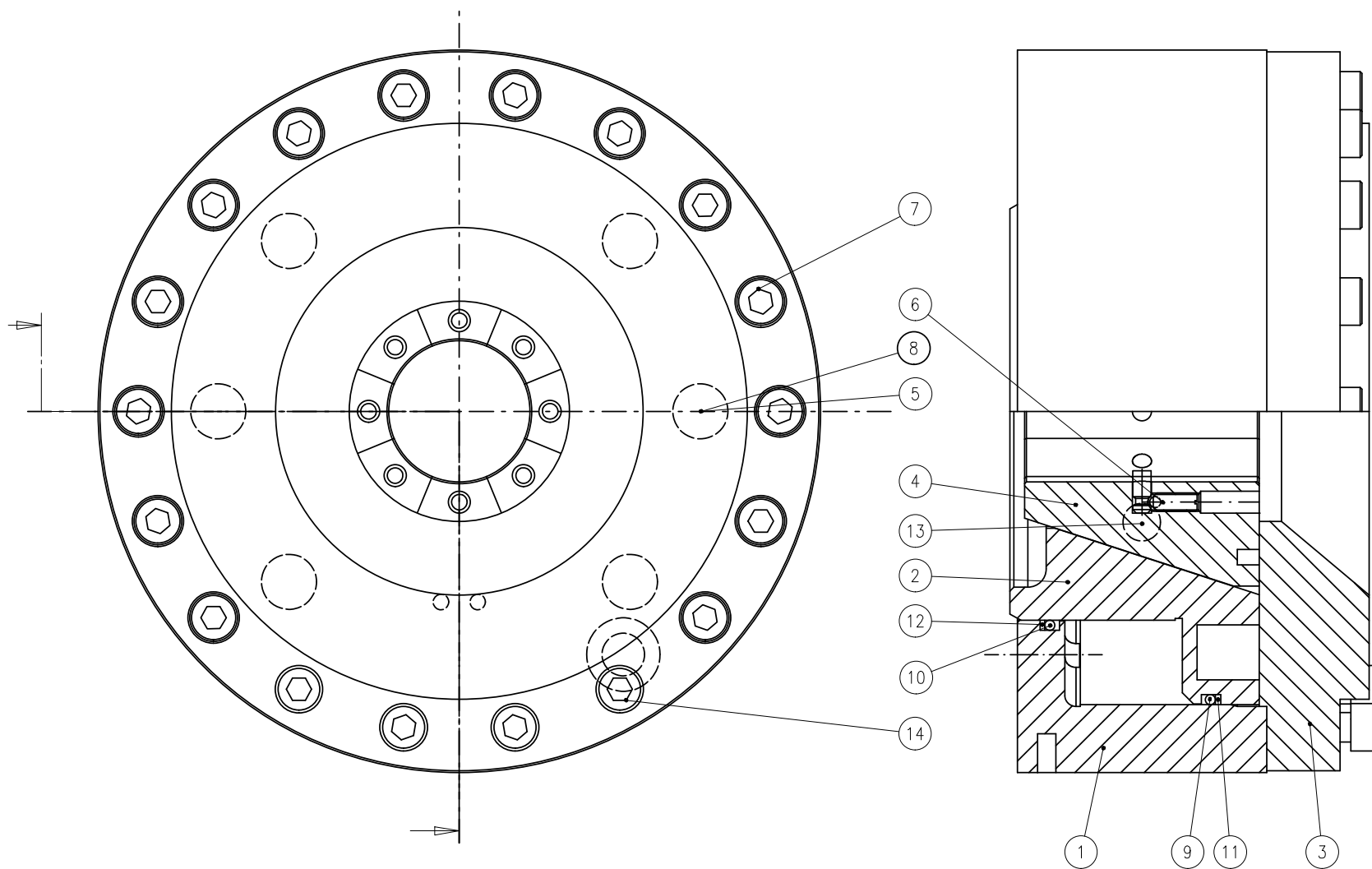


710266

EQUIPMENT

VARUSTELU

F/N	Part Number	Nimitys	Description	Qty
*1	710267	ALUSTA	BASE	1
*2	701888	LATTATANKO	FLAT BAR	1
*3	710269	POHJALEVY	BOTTOM PLATE	1
*4	702610	SUOJAKOURU	COVER DUCT	1
*5	031310	KUUSIOKOLORUUVI	HEX SOCKET-HEAD SCREW	7
*6	031226	KUUSIOKOLORUUVI	HEX SOCKET-HEAD SCREW	1
*7	031217	KUUSIOKOLORUUVI	HEX SOCKET-HEAD SCREW	2
*8	706591	NIITTIMUTTERI	RIVET NUT	4
*9	042002	KAKSOISNIPPA	DOUBLE MALE CONNECTOR	1
*10	031243	KUUSIOKOLORUUVI	HEX SOCKET-HEAD SCREW	2
*11	054023	KAHVA	HANDLE	1
*12	033304	ALUSLEVY	WASHER	5
*13	11995	VARSI	ROD	1
*14	418305	PUMPPU	PUMP	1
*15	301726	PIDIN	HOLD-DOWN CLAMP	1
*16	003199	TARRA	STICKER	2
*17	003328	TARRA	STICKER	2
*18	003333	TARRA	STICKER	2
*19	032402	URARUUVI	SLOT-HEADED SCREW	4
*20	701890	LETKUASENNELMA	HOSE ASSEMBLY	2
*21	701710	TYYPPIKILPI	TYPE PLATE	2
*22	702837	TARRA	STICKER	2
*23	704253	TARRA	STICKER	2

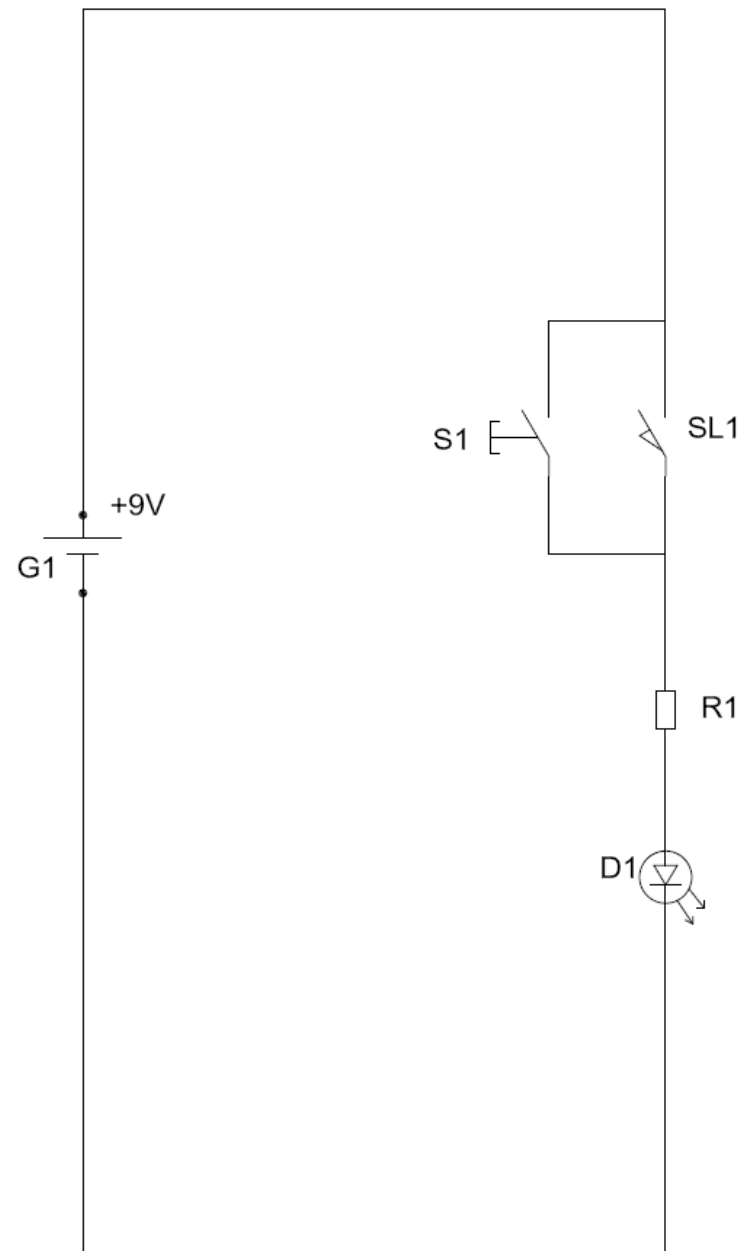


63265

CRIMPING UNIT

PURISTUSYKSIKKÖ

F/N	Part Number	Rev	Description	Nimitys	Qty
*1	131161	B	CYLINDER	SYLINTERI	1
*2	131162	F	PISTON	MÄNTÄ	1
*3	141193	0	FRONT FLANGE	ETULAIPPA	1
*4	301725	0	MASTER DIE SET	PERUSLEUKASARJA	1
*5	053092	0	PRESSURE SPRING	PURISTUSJOUSI	6
*6	054169	0	FLEXIBLE PUSH-BUTTON	JOUSTAVA PAININ	8
*7	031241	0	HEX SOCKET-HEAD SCREW	KUUSIOKOLORUUVI	14
*8	053089	0	PRESSURE SPRING	PURISTUSJOUSI	6
*9	0480148	0	O-RING	O-RENGAS	1
*10	048015	0	O-RING	O-RENGAS	1
*11	048632	0	SUPPORTING RING	TUKIRENGAS	1
*12	048624	0	SUPPORTING RING	TUKIRENGAS	1
*13	053093	0	PRESSURE SPRING	PURISTUSJOUSI	8
*14	031242	0	HEX SOCKET-HEAD SCREW	KUUSIOKOLORUUVI	4



676004

ELECTRICAL COMPON.

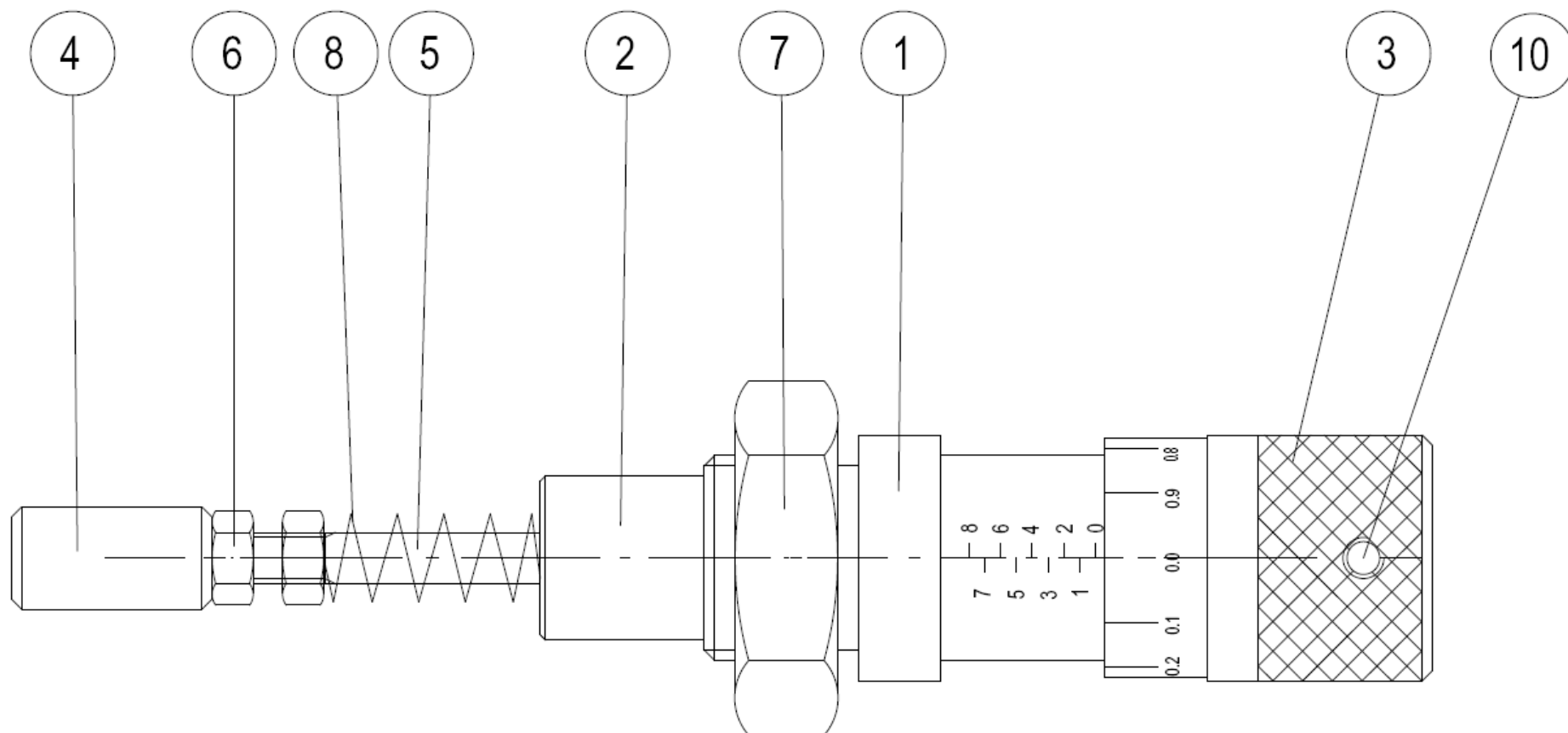
SÄHKÖVARUSTEET

F/N	Part Number	Rev	Description	Nimitys	Qty
D1	061017		LED	LED	1
R1	064053		RESISTANCE	VASTUS	1
GB1	072260		BATTERY BOX	PARISTOKOTELO	1
GB1	072261		BATTERY	NEPPARIPARISTO	1
S1/SL1	092004		PUSH-BUTTON	PAINONAPPI	1

691561

CONTROL DEVICE

MITTALAITE



691561

CONTROL DEVICE

MITTALAITE

F/N	Part Number	Rev	Description	Nimitys	Qty
*1	702709	A	FRAME	RUNKO	1
*2	111576	A	SPINDLE	KARA	1
*3	702711	A	ADJUSTING KNOB	SÄÄTÖNUPPI	1
*4	111578	0	BACK STOP	VASTE	1
*5	0312132	0	HEX SOCKET-HEAD SCREW	KUUSIOKOLORUUVI	1
*6	033003	0	HEXAGONAL NUT	KUUSIOMUTTERI	2
*7	033029	0	HEXAGONAL NUT	KUUSIOMUTTERI	1
*8	053019	0	PRESSURE SPRING	PURISTUSJOUSI	1
*10	424778	0	CLAMP SCREW	PIDÄTINRUUVI	1
*11	705700	0	O-RING	O-RENGAS	1

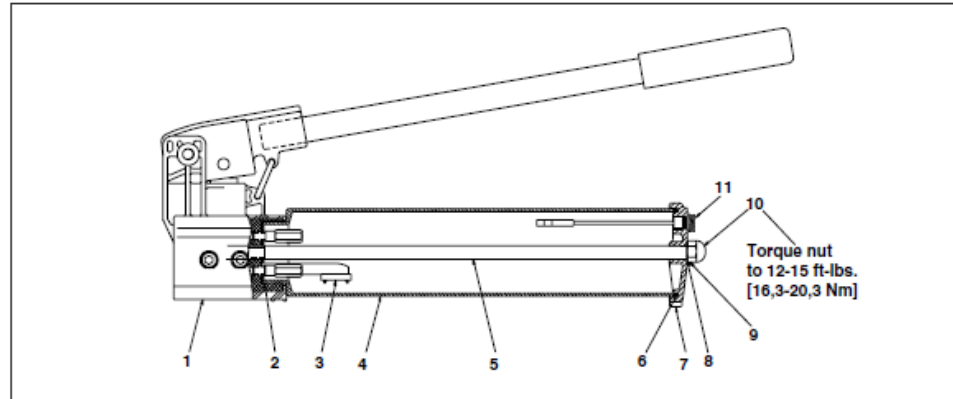


Figure 1, Pump Assembly

Repair Parts List for Figure 1

Item	Part Number	Qty.	Description	Item	Part Number	Qty.	Description
1	Pump unit Assembly (see Fig. 2) Not sold separately—order complete pump.			6	★B1246503	1	O-ring
2	★B1135517	1	Square Ring Seal	7	DC362020	1	End Cap
3	★DA3729900	1	Filter Assembly	8	★DA10722108	1	Washer
4	E012524025	1	Reservoir	9	B1009503	1	O-ring
5	E012524149	1	Tie Rod	10	CL341055	1	Acorn Nut
				11	CT2588900	1	Filler Plug Assembly

★ Items included in and available only as part of Repair Kit P392E043K.

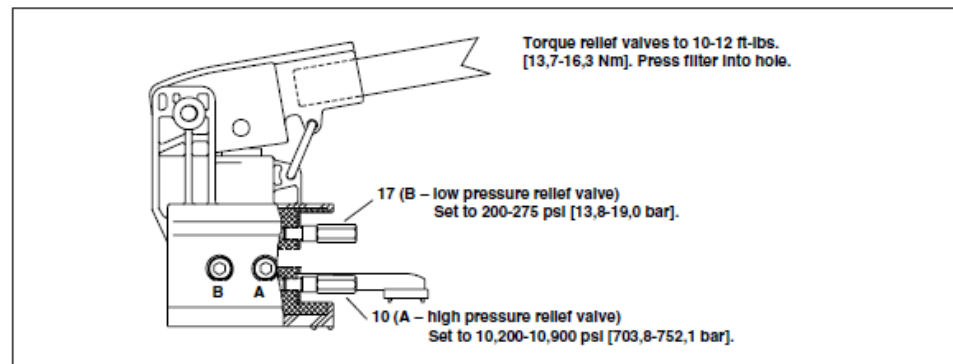


Figure 2, Pumping Unit Assembly (cont. on page 2)

Repair Parts List for Figure 2			
Item	Part Number	Qty.	Description
1	Not available as service part		Pump Base
2	CN815006	2	Pipe Plug
3	★ DA1176210	2	Conical Spring
4	★ B1009016	2	5/16" Ball
5	★ B1006016	3	7/32" Ball
6	DA6301900	1	Release Valve Spindle
7	★ CU921028	1	Truss Head Machine Screw
8	★ B1007503	1	O-ring
9	E012524900-1	1	Plunger Assembly (Includes 12 and 13)
10	DA8802900SR	1	High Pressure Relief Valve Assy
12	★ B1009803	1	O-ring
13	★ B1009564	1	Back-Up Washer
14	B1254503	1	O-ring
17	DA5493900	1	Low Pressure Relief Assy.
19	E012524900-2	1	Beam/Handle
20	DC106061SR	1	Beam Pin
21	★ DA1177349	2	Retaining Ring
22	CR214031	1	Beam Pin
23	CM927061	1	Locking Pin
24	★ Y267110	1	Spring
25	★ CM928044	1	Push-on Ring
50	★ DA3702020	2	Spring Cap
★Items included in and available only as part of Repair Kit P392E043K.			

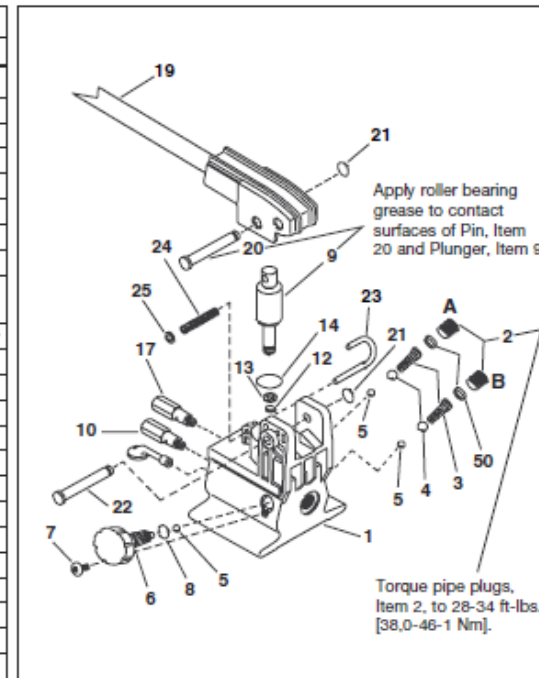


Figure 2, Pumping Unit Assembly



To maintain your warranty:

- Use only Enerpac Oil
- Have your products inspected and repaired by an Enerpac Authorized Service Center

ENERPAC

Visit www.enerpac.com for the location of the Enerpac Authorized Service Center nearest you.