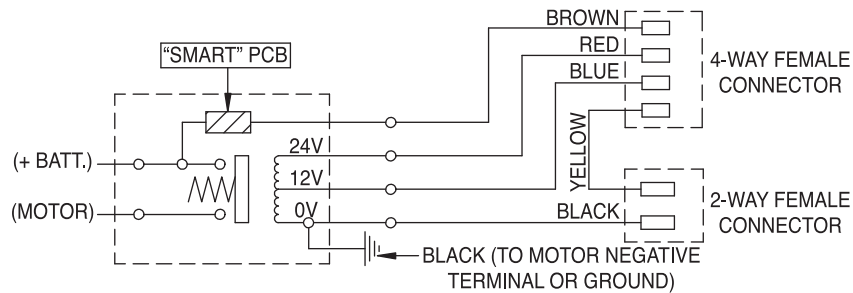
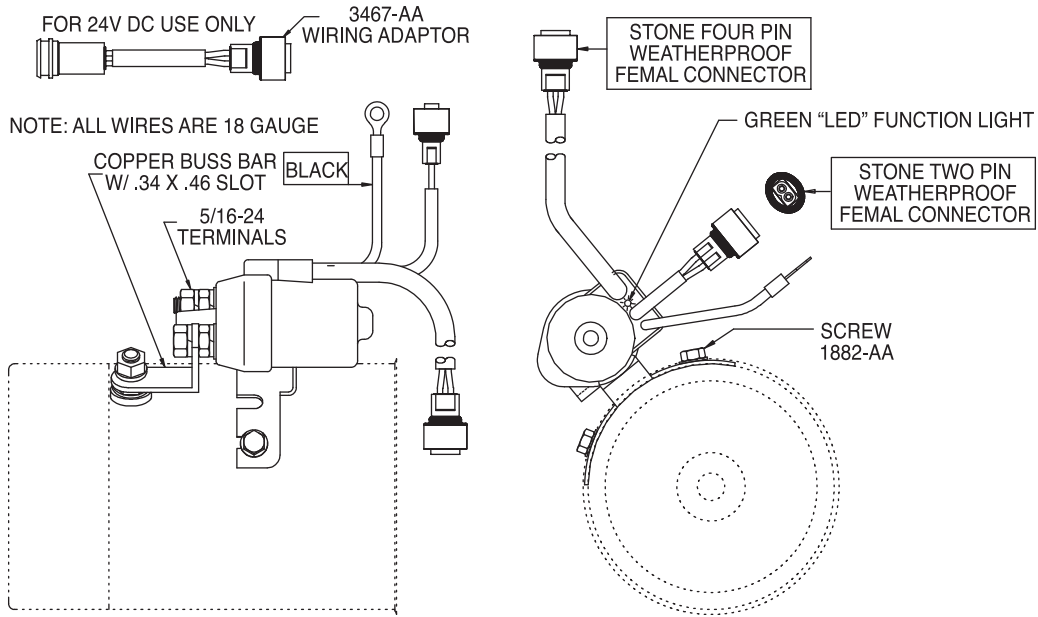


# SMART START SOLENOIDS INTERMITTENT DUTY



Rated for use up to 300 amps (intermittent), completely sealed construction eliminates need for circuit breakers, fuses or microswitches, dual voltage- 12 and 24 VDC, non-weldable contacts, interchangeable with current designs, neat one-plug wiring harness, terminals can not be over-tightened, covers single and double terminal applications, waterproofed to IP67, electronics suitable for use in ambient temperatures between -40° F(-40° C) and 185° F (86° C), world patents applied for.

Order with handset KG11A, KG12A, & KG13A.

For 24VDC, use 3467-AA wiring adaptor.