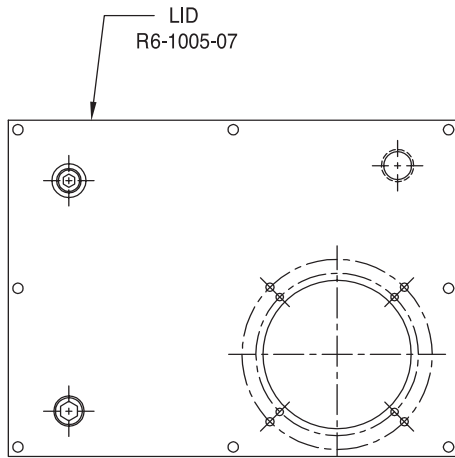


# 7 GALLON FLOOR MOUNT



LID CAN BE ROTATED AND/OR REVERSED FOR FLEXIBILITY OF ENDHEAD/BREATHER POSITION

