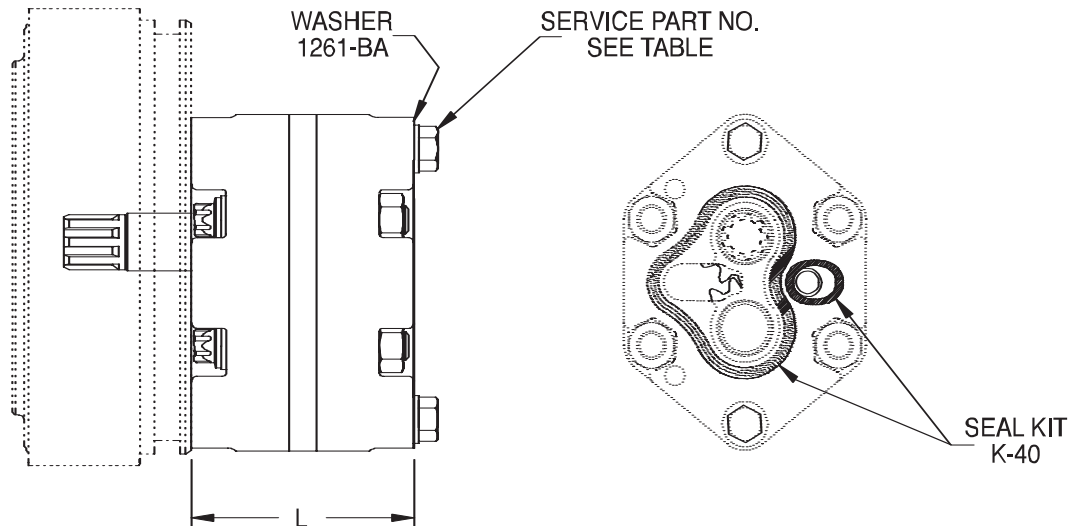


PUMP KITS AFC SERIES



Current Endhead Design Uses 5/16-24 Mounting Thread. Older Endhead Design Used M8 Mounting Thread. Pump Kits Include Both Imperial And Metric Mounting Bolts.

KIT NO.	DISPLACEMENT		LENGTH		MAXIMUM PRESS			INCLUDED IN KIT KP	
	CC REV	CIPR	MM	INCH	MAX. RPM	CONT. PSI / BAR	INTERMIT. PSI/BAR	SERVICE BOLT PART NO.	SERVICE BOLT PART NO.
KP08	0.8	0.049	57	2.25	5000	5000/350	5000/350	2824-AA METRIC	F1-1052-75 IMPERIAL
KP10	1.0	0.061	58	2.28	5000	5000/350	5000/350	2824-AA METRIC	F1-1052-75 IMPERIAL
KP12	1.2	0.073	59	2.32	5000	5000/350	5000/350	2825-AA METRIC	F1-1052-75 IMPERIAL
KP16	1.6	0.098	60	2.38	5000	5000/350	5000/350	2825-AA METRIC	F1-1052-75 IMPERIAL
KP20	2.0	0.122	62	2.44	4000	5000/350	5000/350	2825-AA METRIC	F1-1053-00 IMPERIAL
KP25	2.5	0.153	64	2.52	4000	4600/320	5000/350	2826-AA METRIC	F1-1053-00 IMPERIAL
KP31	3.1	0.189	67	2.62	4000	3600/250	5000/350	2826-AA METRIC	F1-1053-00 IMPERIAL
KP40	4.0	0.244	70	2.75	4000	3000/200	4000/280	2826-AA METRIC	F1-1053-25 IMPERIAL
KP50	5.0	0.305	74	2.90	4000	2300/160	3200/220	2827-AA METRIC	F1-1053-50 IMPERIAL
KP63	6.3	0.384	79	3.11	3200	1800/125	2500/175	2827-AA METRIC	F1-1053-50 IMPERIAL
KP80	8.0	0.488	86	3.37	2400	1500/100	2000/140	2828-AA METRIC	F1-1053-75 IMPERIAL

Kit includes washers and mounting bolts. Use all washers. Mounting bolts are grade 5. **Do not substitute.**

KP10 cannot be used in duplex pump applications.

KP08-80

PUMP KITS AFC SERIES

