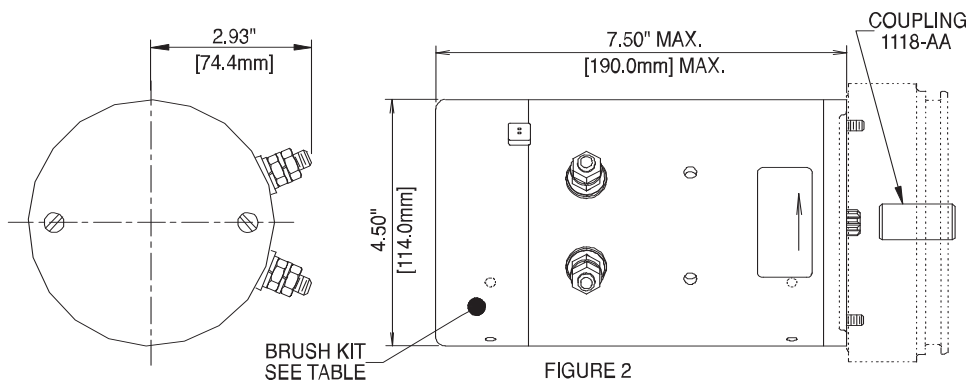
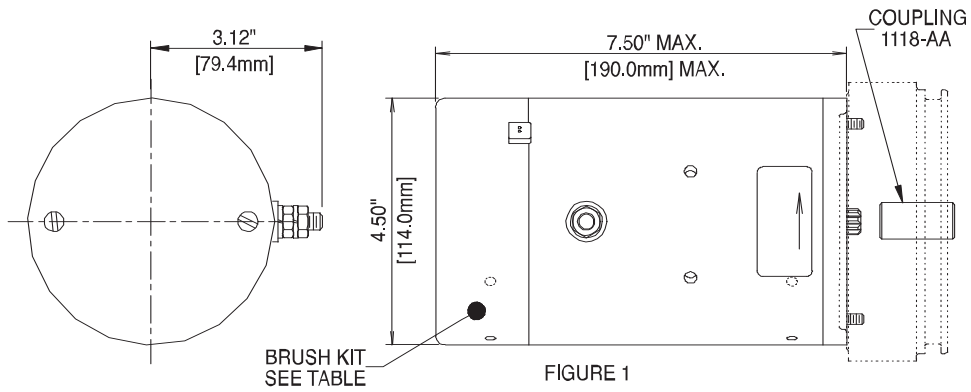


4.5" FIELD WOUND DC MOTORS



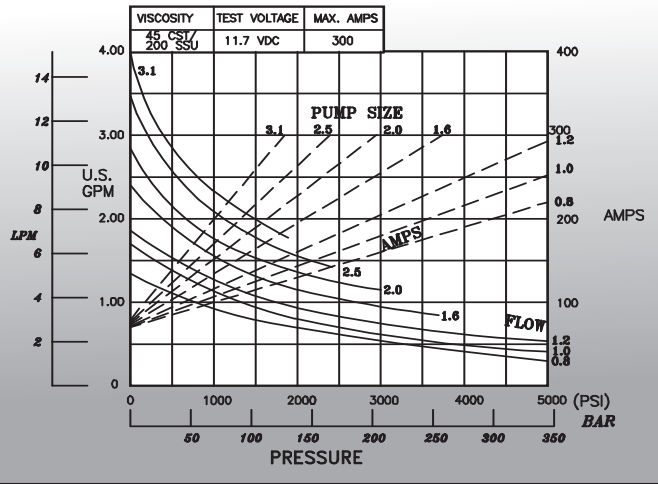
KIT NO.	VOLTAGE	DUTY	CONFIG.	UL RECOGNIZED	BRUSH KIT
KMD1	12V	STD	FIG. 1	NO	K-90
KMD2	12V	STD	FIG. 2	YES	K-97
KMD3	12V	EXT	FIG. 1	NO	K-91
KMD4	24V	EXT	FIG. 1	NO	K-98
KMD5	24V	STD	FIG. 2	YES	K-92
KMD6	24V	STD	FIG. 1	NO	K-92

Note: Stone uses a network of qualified suppliers to ensure availability. There are minor dimensional and cosmetic differences between vendor's products.

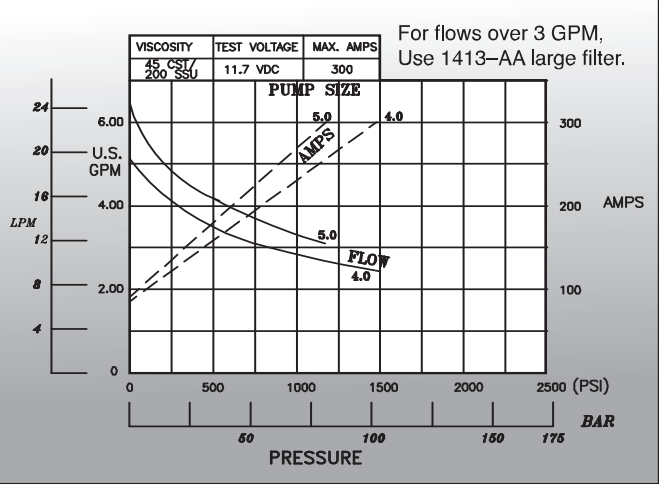
KMD1-3

4.5" 12V DC MOTOR (STD. & EXT. DUTY) PERFORMANCE & DUTY CYCLE

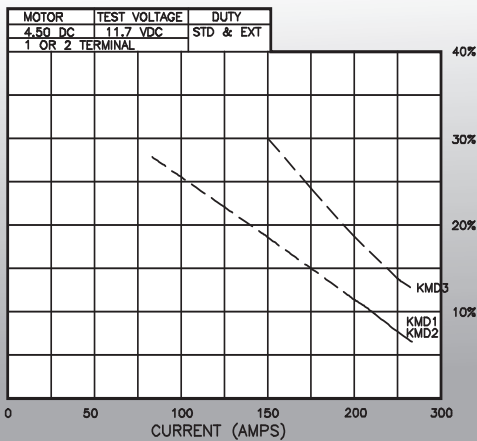
KMD1-3 Flow/AMP vs. Pressure Curve



KMD1-3 Flow/AMP vs. Pressure Curve



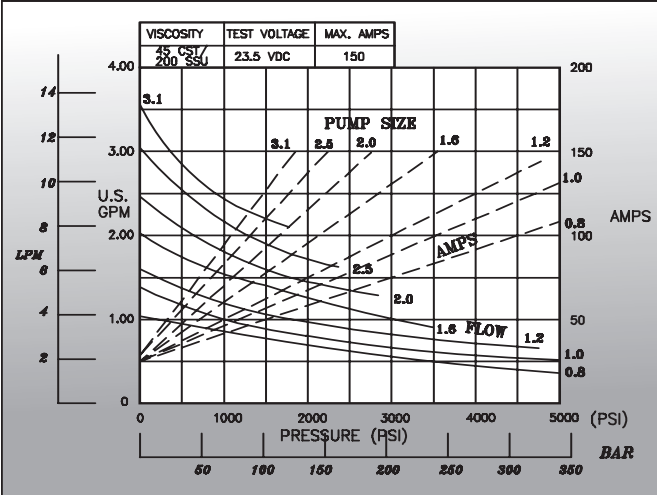
KMD1-3 Motor Duty Cycle



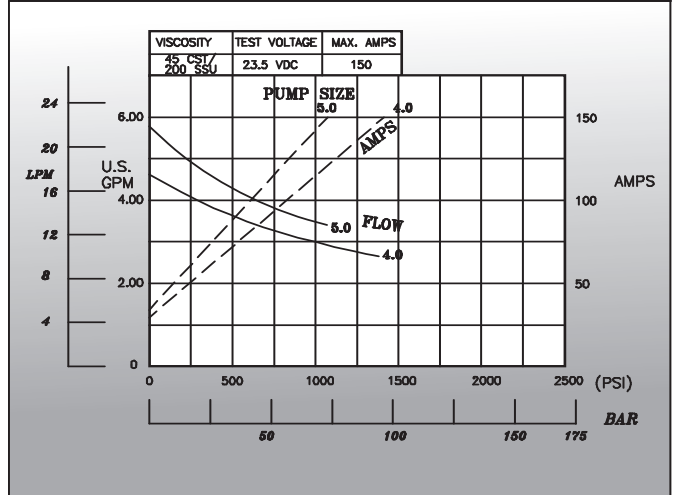
S3 Duty Rating on time. (% of 5 minutes)

4.5" 24V DC MOTOR (STD. & EXT. DUTY) PERFORMANCE & DUTY CYCLE

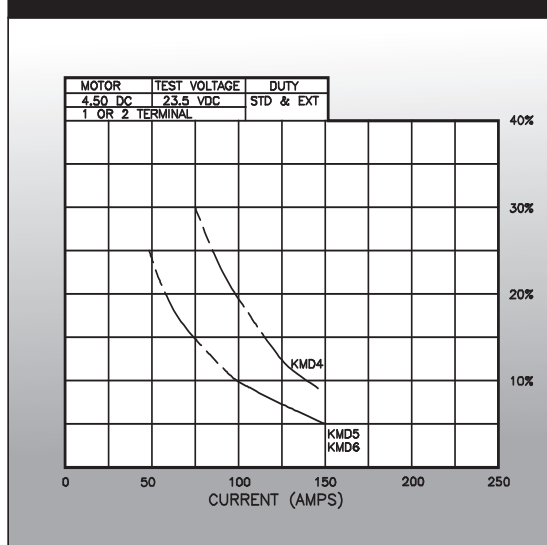
KMD4-6 Flow/AMP vs. Pressure Curve



KMD4-6 Flow/AMP vs. Pressure Curve



KMD4-6 Motor Duty Cycle



S3 Duty Rating on time. (% of 5 minutes)