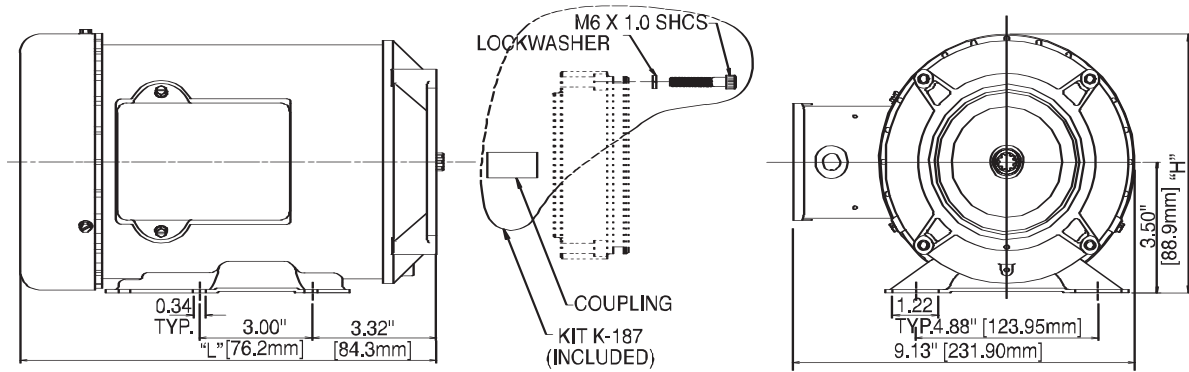


KMC22-24

# CONTINUOUS DUTY 3 PH AC MOTORS



Motor Shaft	"L"	"H"
KMC22	9.75" [247.7mm]	9.13" [231.9mm]
KMC24	10.23" [259.8mm]	9.13" [231.9mm]

Motor/Pump	KP08	KP10	KP12	KP16	KP20	KP25	KP31	KP40	KP50	KP63	KP80
KMC22 1/2 HP 1725 RPM, 3PH 230/460v 60Hz	.29 GPM 2150 PSI	.35 GPM 1700 PSI	.46 GPM 1200 PSI	.65 GPM 1050 PSI	.84 GPM 850 PSI	1.1 GPM 650 PSI	1.3 GPM 500 PSI	1.7 GPM 400 PSI	2.2 GPM 300 PSI	2.8 GPM 200 PSI	3.5 GPM 100 PSI
	1.1 LPM 150 BAR	1.4 LPM 120 BAR	1.8 LPM 100 BAR	2.5 LPM 75 BAR	3.3 LPM 60 BAR	4.2 LPM 45 BAR	5.2 LPM 35 BAR	6.7 LPM 25 BAR	8.5 LPM 20 BAR	11 LPM 14 BAR	14 LPM 7 BAR
KMC24 1HP 1725 RPM, 3PH 230/460v 60Hz	.22 GPM 4300 PSI	.26 GPM 3450 PSI	.38 GPM 2850 PSI	.59 GPM 2150 PSI	.80 GPM 1700 PSI	1.0 GPM 1350 PSI	1.3 GPM 1100 PSI	1.7 GPM 800 PSI	2.2 GPM 650 PSI	2.7 GPM 450 PSI	3.5 GPM 300 PSI
	0.9 LPM 300 BAR	1.0 LPM 240 BAR	1.5 LPM 200 BAR	2.3 LPM 150BAR	3.1 LPM 115 BAR	4.0 LPM 95 BAR	5.0 LPM 75 BAR	6.5 LPM 55 BAR	8.3 LPM 45 BAR	11 LPM 30 BAR	14 LPM 20 BAR

Performance at 45 CST (200 SSU) and 90% mechanical efficiency. GPM's are U.S. values.

Motors are continuous duty but cannot be used above their rated kilowatts, regardless of duty cycle and must have full voltage to achieve rated kilowatts.

For flows over 3 U.S. GPM (11 LPM), use 1413-AA filter.

**Note:** Stone uses a network of qualified suppliers to ensure availability. There are minor dimensional and cosmetic differences between vendor's products.