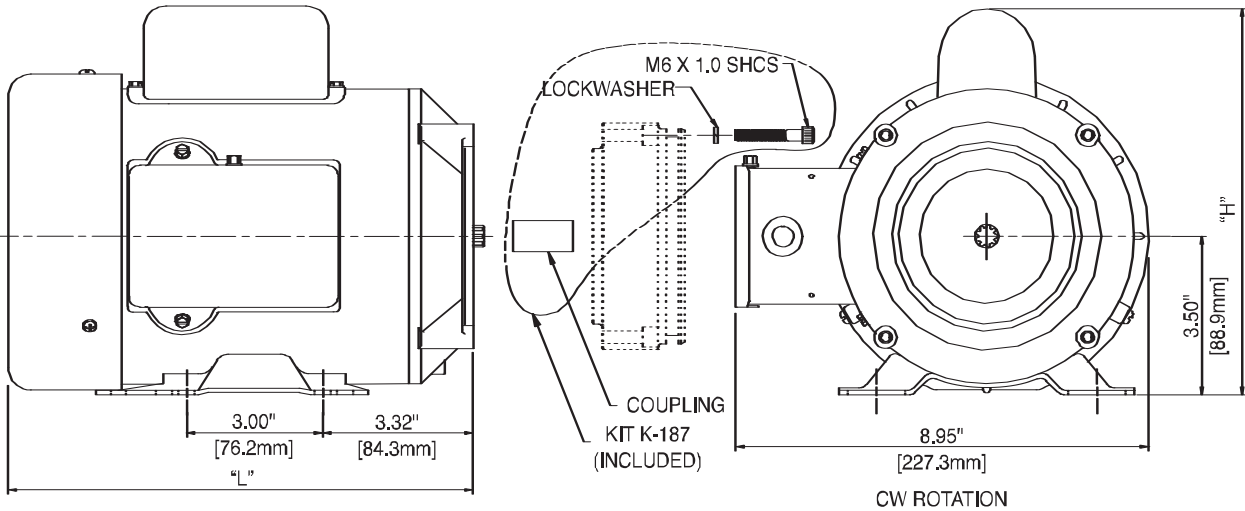


CONTINUOUS DUTY 1PH AC MOTORS



Motor Shaft	"L"	"H"
KMC16	10.38" [263.5mm]	8.52" [216mm]
KMC17	11.75" [298.5mm]	8.52" [216mm]

Motor/Pump	KP08	KP10	KP12	KP16	KP20	KP25	KP31	KP40	KP50	KP63	KP80
KMC16 1HP 3450 RPM, 1PH 115/230v 60Hz	.65 GPM 2150 PSI	.8 GPM 1700 PSI	.99 GPM 1400 PSI	1.4 GPM 1050 PSI	1.7 GPM 800 PSI	2.2 GPM 650 PSI	2.7 GPM 450 PSI	3.5 GPM 300 PSI	4.4 GPM 200 PSI	NOT RECOMMENDED	
	2.5 LPM 150 BAR	3.1 LPM 120 BAR	3.8 LPM 100 BAR	5.3 LPM 75 BAR	6.7 LPM 55 BAR	8.5 LPM 45 BAR	11 LPM 30 BAR	14 LPM 20 BAR	17 LPM 14 BAR		
KMC17 2HP 3450 RPM, 1PH 115/230v 60Hz	.58 GPM 4300 PSI	.79 GPM 3625 PSI	.91 GPM 2850 PSI	1.3 GPM 2150 PSI	1.7 GPM 1700 PSI	2.1 GPM 1300 PSI	2.6 GPM 1000 PSI	3.5 GPM 750 PSI	4.4 GPM 500 PSI		
	2.3 LPM 300 BAR	2.7 LPM 240 BAR	3.5 LPM 200 BAR	5.1 LPM 150 BAR	6.6 LPM 115 BAR	8.4 LPM 90 BAR	10 LPM 70 BAR	13 LPM 50 BAR	16 LPM 35 BAR		

Performance at 45 CST (200 SSU) and 90% mechanical efficiency. GPM's are U.S. values.

For flows over 3 U.S. GPM (11 LPM), use a 1413-AA filter