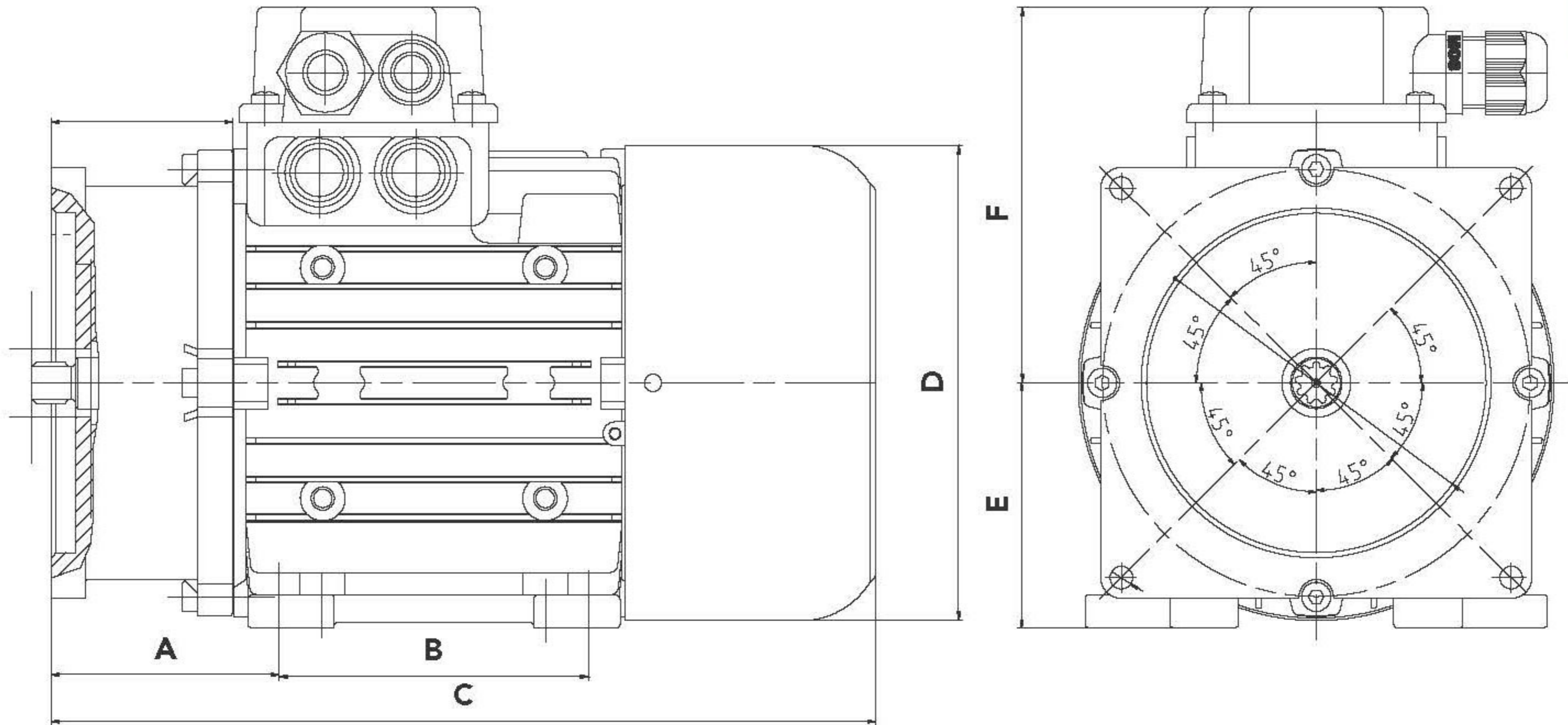


CONTINUOUS DUTY 3 PH 4 POLE AC MOTORS



Motor	A	B	C	D	E	F	G	H
KM64	66 mm	90 mm	239 mm	138 mm	71 mm	109 mm	137 mm	112 mm
KM65	66 mm	90 mm	239 mm	138 mm	71 mm	109 mm	137 mm	112 mm
KM66	65 mm	100 mm	266 mm	176 mm	90 mm	128 mm	182 mm	140 mm
KM67	65 mm	125 mm	290 mm	176 mm	90 mm	128 mm	181 mm	140 mm
KM68	65 mm	125 mm	290 mm	176 mm	90 mm	128 mm	181 mm	140 mm

Motor/Pump	KP08	KP10	KP12	KP16	KP20	KP25	KP31	KP40	KP50	KP 63	KP 80
KM64 0,375Kw 1450 RPM, 3PH 230/400v 50Hz	1.0 LPM 175 BAR	1.3 LPM 140 BAR	1.6 LPM 120 BAR	2.1 LPM 90 BAR	2.6 LPM 70 BAR	3.3 LPM 60 BAR	4.0 LPM 45 BAR	5.2 LPM 35 BAR	6.5 LPM 30 BAR	8.2 LPM 25 BAR	
KM65 0,75Kw 1450 RPM, 3PH 230/400v 50Hz	1.0 LPM 280 BAR	1.3 LPM 280 BAR	1.6 LPM 230 BAR	2.1 LPM 175 BAR	2.6 LPM 140 BAR	3.3 LPM 110 BAR	4.0 LPM 90 BAR	5.2 LPM 70 BAR	6.5 LPM 60 BAR	8.2 LPM 45 BAR	10.4 LPM 35 BAR
KM66 1,1Kw 1450 RPM, 3PH 230/400v 50Hz			1.6 LPM 280 BAR	2.1 LPM 255 BAR	2.6 LPM 205 BAR	3.3 LPM 160 BAR	4.0 LPM 130 BAR	5.2 LPM 100 BAR	6.5 LPM 80 BAR	8.2 LPM 65 BAR	10.4 LPM 50 BAR
KM67 1,5Kw 1450 RPM, 3PH 230/400v 50Hz				2.1 LPM 280 BAR	2.6 LPM 280 BAR	3.3 LPM 225 BAR	4.0 LPM 180 BAR	5.2 LPM 140 BAR	6.5 LPM 110 BAR	8.2 LPM 90 BAR	10.4 LPM 70 BAR
KM68 2,2Kw 1450 RPM, 3PH 230/400v 50Hz						3.3 LPM 280 BAR	4.0 LPM 265 BAR	5.2 LPM 205 BAR	6.5 LPM 165 BAR	8.2 LPM 130 BAR	10.4 LPM 100 BAR

Performance at 45 CST (200 SSU) and 90% mechanical efficiency. All motors are totally enclosed, fan-cooled (TEFC).
 Motors are continuous duty but cannot be used above their rated kilowatts, regardless of duty cycle and must have full voltage to achieve rated kilowatts.
 For flows over 11 LPM, use a 1413-AA filter.
Note: Stone uses a network of qualified suppliers to ensure availability. There are minor dimensional and cosmetic differences between vendor's products.
 KM 78 duty cycle S3-30%, Class F insulation, B3 form, Cap Start only.