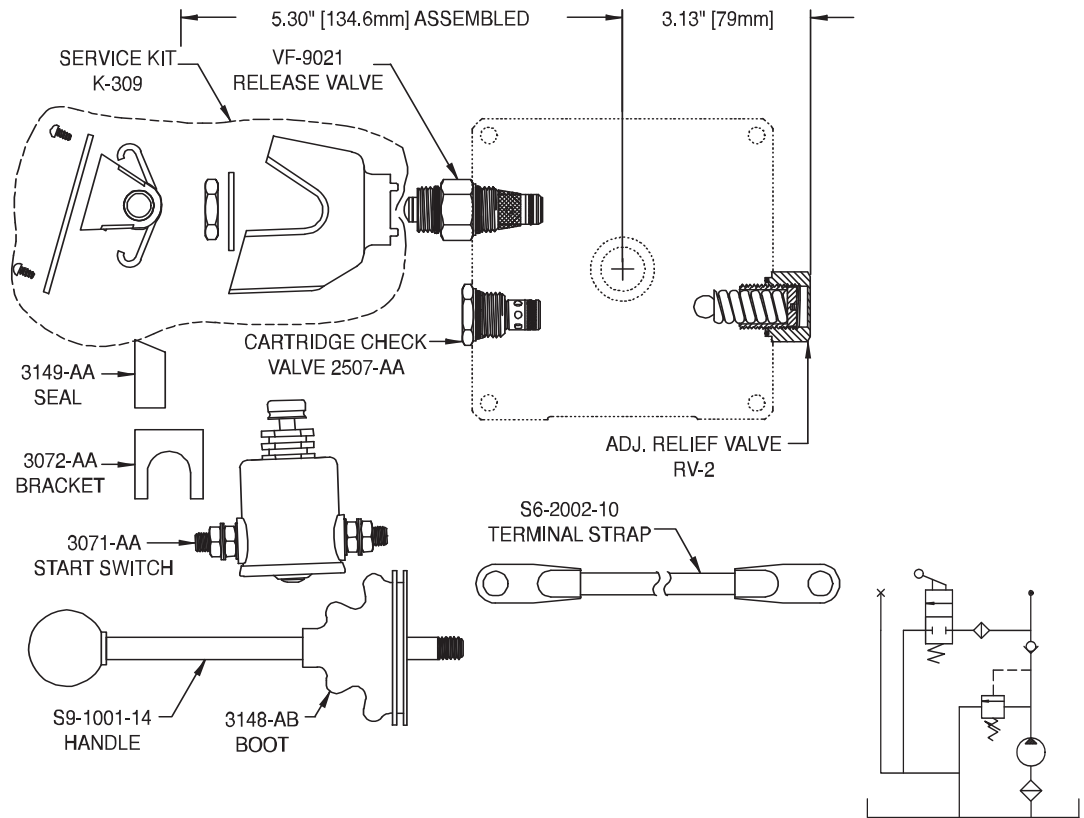


**KC03**

# RELIEF, CHECK, MANUAL RELEASE VALVE KIT DIRECT ACTING



Kit includes 4 color-coded relief springs as follows: Blue (300-599 PSI) [20.7-41.3 Bar], Green (600-1299 PSI)[41.4-89.6 Bar], Red (1300-1999 PSI)[89.6-137.8 Bar], Black (2000-4199 PSI) [137.9-289.5 Bar].

Optional: (4200-5000 PSI) [289.6-345 Bar] Relief valve kit available, order part no. K-175.

Optional: Order JF-0048 spring locator when using the blue (300-599 PSI) [20.7-41.3 Bar] spring.

Release bracket may be rotated in 90° Increments at assembly.

Can be used with 12V or 24V DC power units.