

Main features

8 ÷ 100

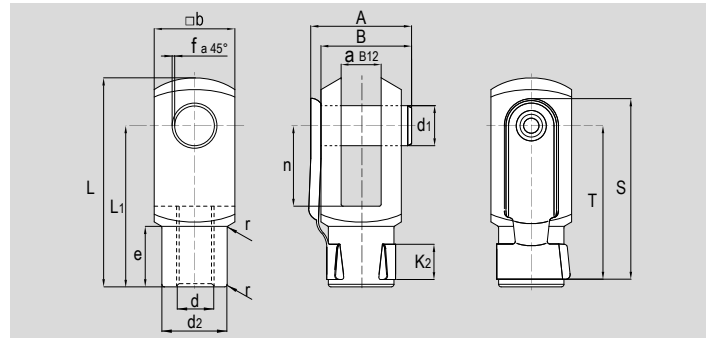


FF..ISO

Bores Ø

8140

Type



Options

Description	Suffix
Special versions on request	/S

Technical data

Type	Description	Materials
FF..ISO	Female clevis. Supplied complete with clips.	White zinc-plated steel

Dimensions

For cylinder Ø mm	Code	Item	d (thread)	a <sub>B12</sub>	A	S	B	□b	d <sub>1</sub>	T	l <sub>2</sub>	d <sub>2</sub>	e	f (a 45°)	L	L <sub>1</sub>	n	r	Weight (g)
8-10	041001	FF04ISO/DIN	M4x0,7	4	11	19	9	8	4	15	5	8	6	0,5	21	16	8	0,5	7
12-16	041002	FF06ISO/DIN	M6x1	6	16	28	14	12	6	23	6	10	9	0,5	31	24	12	0,5	20
20	041003	FF08ISO/DIN	M8x1,25	8	22	37	19	16	8	31	8	14	12	0,5	42	32	16	0,5	48
25-32	041004	FF10ISO	M10x1,25	10	26	46	23	20	10	39	10	18	15	0,5	52	40	20	0,5	93
40	041005	FF12ISO	M12x1,25	12	32	55	28	24	12	47	12	20	18	0,5	62	48	24	0,5	154
50-63	041006	FF16ISO	M16x1,5	16	40	72	36	32	16	62	14	26	24	1	83	64	32	1	351
80-100	041007	FF20ISO	M20x1,5	20	48	88	44	40	20	72	16	34	30	1	105	80	40	1	680

Main features

25 ÷ 320

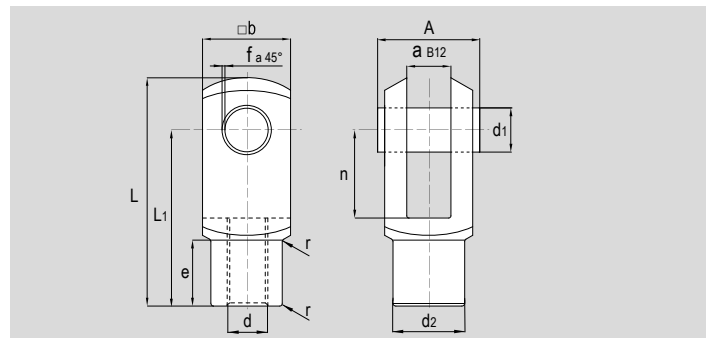


FFP..ISO

Bores Ø

8140

Type



Options

Description	Suffix
Special versions on request	/S

Technical data

Type	Description	Materials
FFP..ISO	Female clevis. Supplied complete with pin and seeger.	White zinc-plated steel

Dimensions

For cylinder Ø mm	Code	Item	d (thread)	a <sub>B12</sub>	A	□b	d <sub>1</sub>	d <sub>2</sub>	e	f (a 45°)	L	L <sub>1</sub>	n	r	Weight (g)
25-32	041051	FFP10ISO	M10x1,25	10	26	20	10	18	15	0,5	52	40	20	0,5	89
40	041040	FFP12ISO	M12x1,25	12	32	24	12	20	18	0,5	62	48	24	0,5	147
50-63	041013	FFP16ISO	M16x1,5	16	40	32	16	26	24	1	83	64	32	1	343
80-100	041017	FFP20ISO	M20x1,5	20	48	40	20	34	30	1	105	80	40	1	668
*	041008	FFP24ISO	M24x2	25	-	50	25	42	36	1	132	100	50	1	1330
125	041009	FFP27ISO	M27x2	30	-	55	30	48	38	1	148	110	54	1	1790
160-200	041010	FFP36ISO	M36x2	35	-	70	35	60	40	1	188	144	72	1	3550
250	041068	FFP42ISO	M42x2	40	104,3	85	40	70	63,5	1	232	168	84	5	6690
320	041069	FFP48ISO	M48x2	50	117,3	96	50	82	73	1	265	192	96	5	9954

\* Per cylinders non a norme.