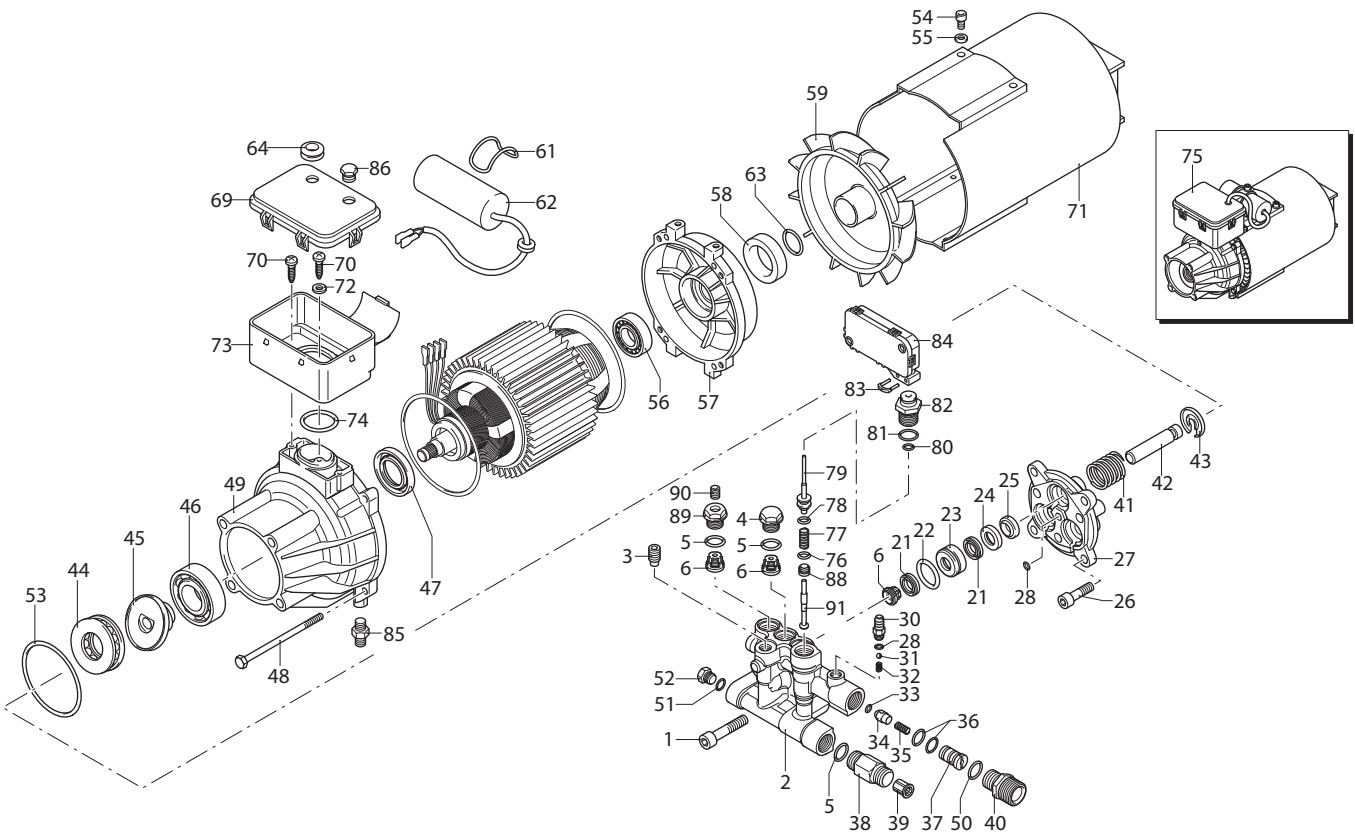


QUARK



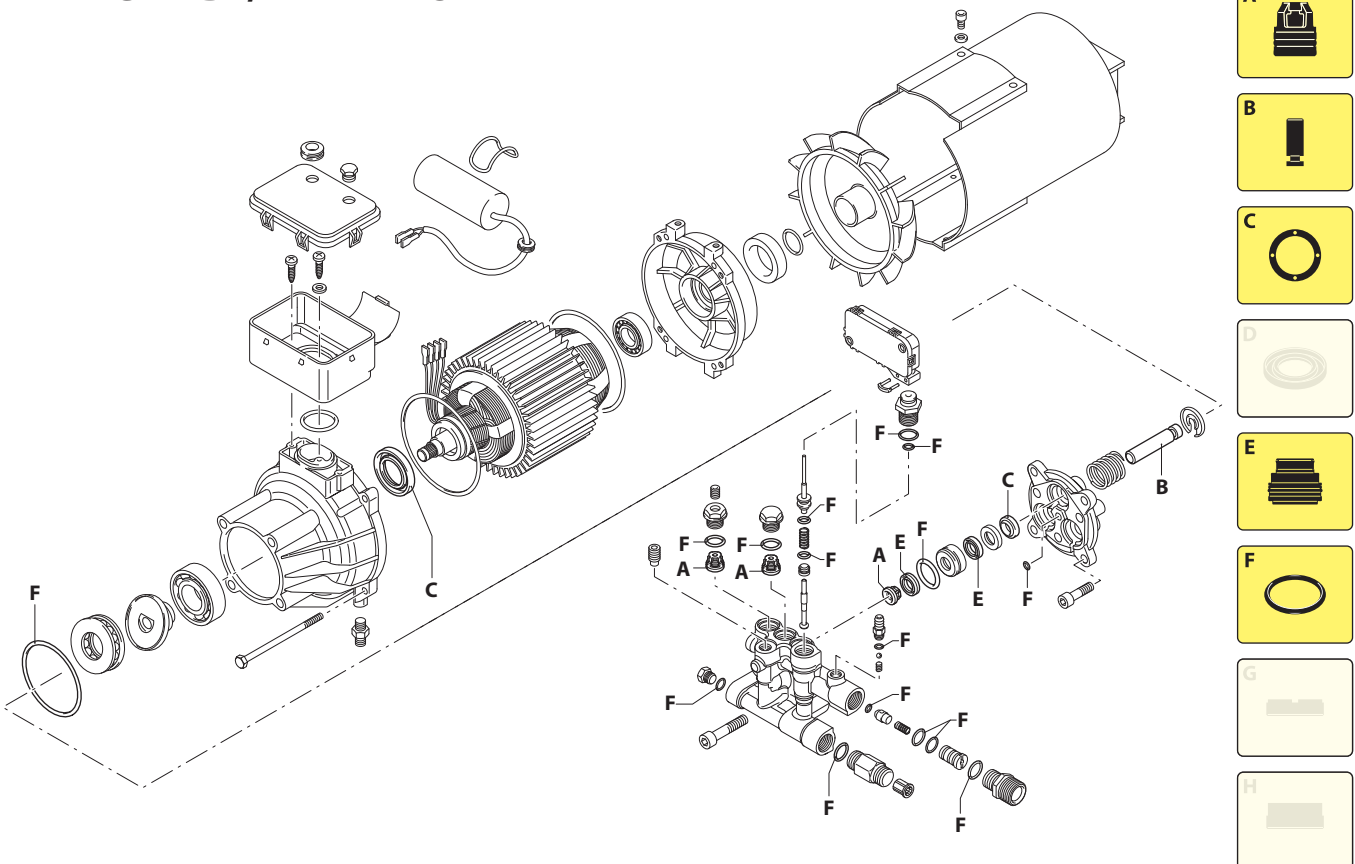
HRM-O

2800rpm



UN003446-MW

KIT RICAMBI / PART KITS



UN003447-MW

290 Series

HRM-O 2800 rpm - Codice 23577

9.15 TSS



Pos.	Cod. Part n°	Denominazione	Description	Q.tà Q.ty	Note Vedi / See	Pos.	Cod. Part n°	Denominazione	Description	Q.tà Q.ty	Note Vedi / See
1	800220	Vite TCEI M 8x45	Screw	3	C=25Nm	62	1982190	Condensatore 40 µF	Capacitor 40 µF	1	
2	2900430	Testa pompa	Pump head	1		63	394280	OR Ø 12,42x1,78	O-Ring	1	
3	2840470	Vite STEI M 10x14	Screw	1	⊕	64	2021480	Passacavo	Gland	1	
4	2840130	Tappo valvola	Plug	2	C=25Nm	69	2320271	Cop. scatola interr.	Switch box cover	1	
5	740290	OR Ø 14x1,78	O-Ring	6		70	2020570	Vite autof. M 4x12	Screw	3	
6	2849051	Valvola completa	Complete valve	6	■	71	1460340	Convogliatore	Conveyor	1	
21	2200141	Guarnizione	Gasket	6	■	72	1262400	Rosetta Ø 4	Washer	1	
22	770590	OR Ø 21,95x1,78	O-Ring	3		73	2320131	Scatola interruttore	Switch box	1	
23	2840550	Boccola	Bushing	3		74	660170	OR Ø 31,42x2,62	O-Ring	1	
24	2840540	Boccola	Bushing	3		75	44309	Motore elettrico	Electric motor	1	
25	1683500	Anello tenuta	Seal	3		76	600180	OR Ø 7,66x1,78	O-Ring	1	□
26	2900500	Vite TCEI M 8x25	Screw	4	C=18-22Nm	77	2840180	Molla	Spring	1	
27	2900020	Guida pistone	Piston guide	1		78	820510	OR Ø 10,82x1,78	O-Ring	1	□
28	480480	OR Ø 4,48x1,78	O-Ring	2		79	2840160	Pistone TSS	TSS piston	1	◆
30	1982520	Portagomma	Hose tail	1	⊕ C=4Nm	80	1120680	OR Ø 3,69x1,78	O-Ring	1	□
31	1250280	Sfera	Ball	1		81	740290	OR Ø 14x1,78	O-Ring	1	
32	1560520	Molla	Spring	1		82	2900130	Raccordo TSS	TSS fitting	1	C=25Nm
33	1460430	OR Ø 4x2,5	O-Ring	1		83	2022200	Forcella	Clip	1	
34	2901070	Otturatore	Jet	1		84	2029753	Prem. TSS	TSS assembly	1	
35	1080091	Molla	Spring	1		85	1462400	Colonetta	Stud	4	
36	800560	OR Ø 8,73x1,78	O-Ring	2	■	86	2101390	Tappo	Plug	1	
37	2901060	Iniettore detergente	Detergent injector	1		88	2900150	Sede valvola	Valve seat	1	
38	2900100	Raccordo aspirazione	Suction fitting	1	C=25Nm	89	2900350	Tappo valvola	Valve plug	1	C=25Nm
39	1340260	Filtro	Filter	1		90	620301	Tappo	Plug	1	
40	2900120	Raccordo mandata	Outlet fitting	1	C=25Nm	91	2900960	Asta	Pin	1	
41	2901170	Molla	Spring	3							
42	2840530	Pistone	Piston	3							
43	2840050	Anello	Ring	3							
44	2900170	Cuscinetto	Bearing	1							
45	2900040	Piattello oscillante	Wobble plate	1							
46	1780490	Cuscinetto	Bearing	1							
47	1460530	Anello tenuta	Seal ring	1							
48	2320830	Vite TE M 5x130	Screw	4	◆ C=3Nm						
49	2900010	Corpo pompa	Pump body	1							
50	740290	OR Ø 14x1,78	O-Ring	1							
51	820510	OR Ø 10,82x1,78	O-Ring	1							
52	880581	Tappo	Plug	1	C=15Nm						
53	3040270	OR Ø 71,12x2,62	O-Ring	1							
54	1460460	Vite TC M 5x16	Screw	2							
55	1680960	Rondella Ø 5,5	Washer	2							
56	1460590	Cuscinetto	Bearing	1							
57	1460040	Scudo motore	Motor shield	1							
58	1461200	Anello tenuta	Seal ring	1							
59	1460370	Ventola	Fan	1							
61	2320640	OR Ø 48,89x2,62	O-Ring	1							

KIT RICAMBI - PART KITS

A=KIT 2233 valvole valves		B=KIT 2313 pistoni pistons		C=KIT 42124 tenute olio oil seals		E=KIT 2235 tenute acqua water seals	
Pos.	Q.ty	Pos.	Q.ty	Pos.	Q.ty	Pos.	Q.ty
6	6	42	3	25 47	3 1	21	6

F=KIT 42150 OR O-Ring

Pos.	Q.ty	Pos.	Q.ty	Pos.	Q.ty	Pos.	Q.ty
5	1	51	1				
22	3	53	1				
28	2	76	1				
33	1	78	1				
36	2	80	1				
50	1	81	1				

SIMBOLOGIA - SYMBOLS

- ◆ Screw with Loxeal 83-21
- ⊕ Screw with Loxeal 55-14
- Lubricate with grease Molykote G807
- Lubricate with grease Molykote PG54
- C Tightening torque tolerance 0÷10%