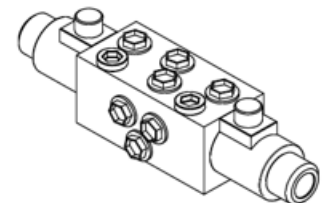
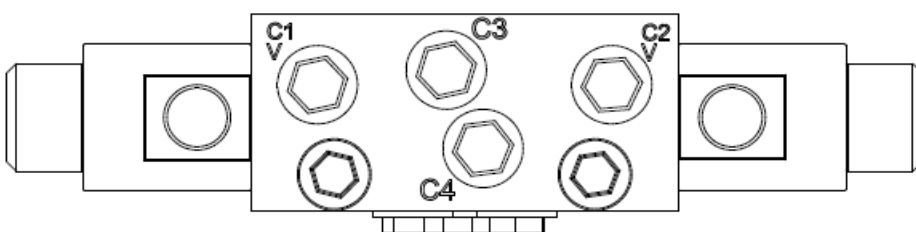
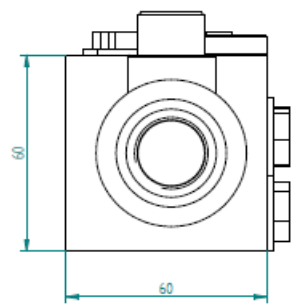
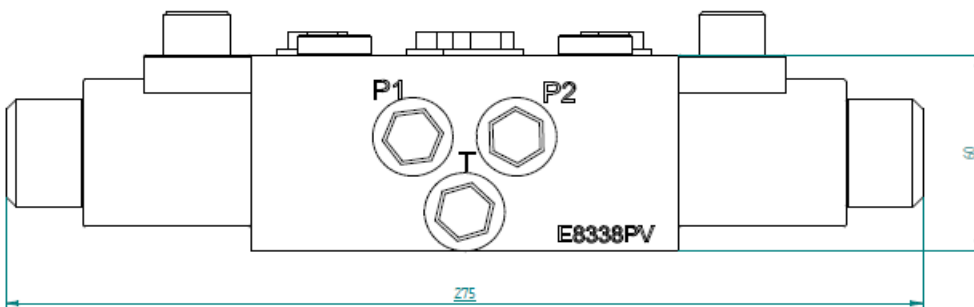
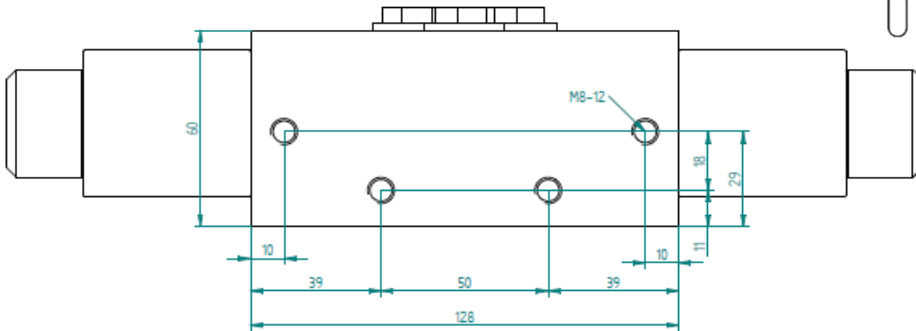
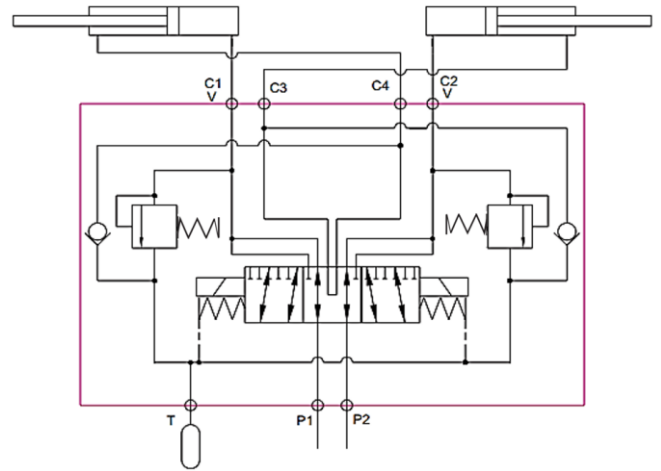


Solenoid controlled 8/3 directional valve

- connection R3/8"
- voltage 12VDC or 24VDC (30W)
- flow 50 l/min
- max. pressure 210 bar
- fixed shock relief valves in ports C1 and C2
- inlet valves in ports C3 and C4
- tank/pressure accumulator connection T



Piippo Hydraulic: Yrittäjätie 10, 74700 Kiuruvesi FINLAND tel. +35817750500