

Content

Content	1
1 Directional Control Valves and Poppet Valves.....	3
ROR3-062 (4025).....	3
PD2E1 (4050).....	3
SD1E-A2 (4070), SD2E-A2 (4040), SD3E-A2 (4043), SD1M-A2/L (4051)	3
SD1E-A3 (4071), SD2E-A3 (4041), SD6H-AY3 (4052)	4
SD2E-A4 (4042), SD2E-A4/H3 (4097), SD6H-AY4 (4053)	4
SD2E-B2 (4060), SD3E-B2 (4063), SD3E-C2 (4078).....	5
SD2E-B3 (4061).....	5
SD2E-B4 (4062).....	6
SD2H-LA3 (4080).....	6
RPR3-04 (4018), RPR3-06 (4004).....	7
RPR1-10 (4084).....	7
RPH2-06 (4005), RPH3-06 (4006)	8
RPK1-06 (4038).....	8
RPEK1-03 (4027).....	9
RPE2-04 (4012).....	10
RPE3-04 (4014).....	11
RPE3-06 (4010), RPEA3-06 (4029), RPEW4-06 (4035), RPER3-06 (4026).....	12
ROE3-042S5(S6) (4055), ROE3-062S2 (4022), ROE3-042S5(S6)M (4073), ROE3-062S2M (4072)	13
RPEL1-04 (4037), RPEL2-06 (4056).....	14
RPE4-10 (4039), RPEW4-10 (4044).....	15
RNEH1-10 (4075), RNEH5-16 (4023), RNEH4-25 (4024)	16
2 Check Valves.....	17
LV1-043 (5008), LV2-043 (5028), LV1-063/S (5015), LV1-063/M (5030)	17
MVJ3-06 (5018), MVJ3-10 (5020)	17
VJR1-04/M (5023), VJR2-06/M (5024), 2RJV1-06/M (5021), VJR3-10/M (5035).....	18
RJV1-05 (5111)	18
SC1F-A2 (5010), SC1F-B2 (5017), SC1F-C2 (5036), SC1F-A3 (5016)	18
SH1F-A3 (5029), SQ1F-N3 (5075), SC5H-BP3 (5037), SC5H-CP3 (5039)	18
SC5H-I3/S (5054), SC5H-Q3/I (5217), SC5H-R3/I (5218), SC5H-S3/I (5220), SCD5H-R3/I (5219)	19
SCC5H-Q3/I (5221), SCC5H-S3/I (5222)	19
VJ3 (5009), VJS3 (5019)	19
VJO1-04/M (5012), VJO1-06/S (5004), VJO1-10/S (5307)	20
3 Pressure Control Valves	21
SU6A-U3/I (5224), SUD6A-V4/I (5225), SUD6A-U4/I (5226)	21
VPP2-04/S (5093), VPP2-04/M(R) (5094).....	21
VPP2-06 (5062), VPP2-06-SV/xx-CE1017 (5066)	21
VPP1-06(08,10) (5061).....	22
VPN1-06/S, SX, SY (5161), VPN1-06/M(R) (5160).....	22
DBV3 (5092).....	22
VPN2-10/S (5163), VPN2-10/M(R) (5164).....	23
VRN2-06/S (5153), VRN2-06/M (5155), VRN2-10/S (5154), VRN2-10/M (5156).....	23
VRP2-04 (5142), VRP2-06 (5145)	24
SS4A-A3 (5049), SP2A-A3 (5143), SP2A-B3 (5146), SP4A-B3 (5144), SS3A-BP3 (5047)	24
SR1A-A2 (5063), SR1A-B2 (5064), SR1A-B2*CE1017 (5084), SR4A-B2 (5065), SR4E2-B2 (5068).....	24
VPP-R-16(25) (5300), VPP-R-16-xx-L-CE1017 (5095)	25
VPN1-20 (5159)	25
4 Flow Control Valves	26
SF22A-A2/H (5060), SF22A-B2/H (5067), SF32A-B3/H (5070), ST2C1A-A2 (5133), ST21A-B2 (5134)	26
SF2C2A-K2/I (5236), SF32A-K3/I (5227)	26
SFD2F-B4/I (5234), SFD2F-D4/I (5235).....	26
VSK (5121), VSO1-04/R (5054).....	27
VSO1-04/M (5053)	27
2VS3-06 (5051), VSS1-206 (5032), VSS1-306 (5033), VSS2-206 (5041).....	27
VSO2-10/M (5056), VSO3-10/M (5076).....	27
VSS3-062/S (5057), VSS3-062/M (5050).....	27
VSV2 (5132).....	28
5 Overcentre Valves	29
SO5A-BP3 (5199), SO5A-CP3 (5194), SOB5A-BP3 (5197), SOB5A-CP3 (5195)	29
SOB5A-BPY3 (5198), SOB5A-CPY3 (5196)	29
6 Proportional Valves.....	30
TV2-063/S (5158), TV2-062/M (5166), TV2-063/M (5168), TV2-042/M (5167), TV2-043/M (5188)	30
TV2-102/S (5179), TV2-103/S (5180), TV2-102/M (5169), TV2-103/M (5170), SD2P-B4 (5149)	30
PP2P1-W3 (5125), PP2P3-W3 (5147).....	31

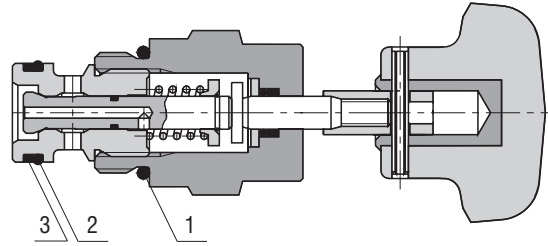
PRL1 (5101), PRL2 (5103).....	31
PRM2-04 (5105), PRM2-06 (5104), PRM6-10 (5115).....	32
PRM7-04 (5120), PRM7-06 (5119), PRM7-10 (5116).....	33
PRM9-06 (5129), PRM9-10 (5130).....	34
PRM8-06 (5178), PRM8-10 (5253).....	35
PVRM1-063/S (5108), PVRM3-10 (5118).....	35
SR1P2-A2 (5122), SR4P2-B2 (5117), SRN1P1-A2 (5137), SRN4P1-B2 (5138).....	36
SP4P2-B3 (5123), SPN4P1-B3 (5139), SP4P1-B4 (5124).....	36
SF32P-C3 (5187).....	37
7 Explosion Proof Valves (ATEX/IECEX).....	38
SD1EX-A2 (4088), SD1EX-A3 (4068), SD2EX-B2 (4064), SD2EX-B3 (4065), SD2EX B4 (4066), SD3EX-B2 (4067), SD3EX-C2 (4089) SD2PX-B4 (5186), PVRMX3-103 (5184).....	38
RPEX3-06 (4054), RPERX3-06 (4095), RPEX3-06*S6 (4094), PRMX2-06 (5183), PRMX8-06 (5185).....	38
RNEXH1-10 (4077), RNEXH5-16 (4058), RNEXH4-25 (4059).....	39
15 Logic Valves.....	40
SL2H-BP3/H2I11 (5044), SL2H-BP3/H2I12 (5043).....	40
Ordering Code - Spare parts.....	41

1 Directional Control Valves and Poppet Valves

Product (Datasheet): **ROR3-062 (4025)**

Cavity QG2 M22x1.5

- 1 - O-ring
- 2 - O-ring
- 3 - Back-up ring

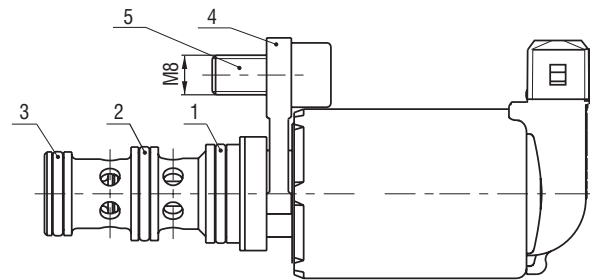


Position	ROR3-062											
1+2+3	Seal Kit	Pos.	O-ring	Pcs	Pos.	O-ring	Pcs	Pos.	Back-up ring	Pcs	Ordering No.	
	NBR	1	19.4x2.1	1	2	14x1.78	1	3	14.73x17.43x1.1	1	15650200	
	FPM		19.4x2.1	2		14x1.78	4		14.73x17.43x1.1	2	16954700	

Product (Datasheet): **PD2E1 (4050)**

Cavity D17/Y3
Cavity D20/X3, W3

- 1, 2, 3 - O-ring
- 4 - Fork Slip-In M8
- 5 - Bolt M8x16 (ISO 4762)

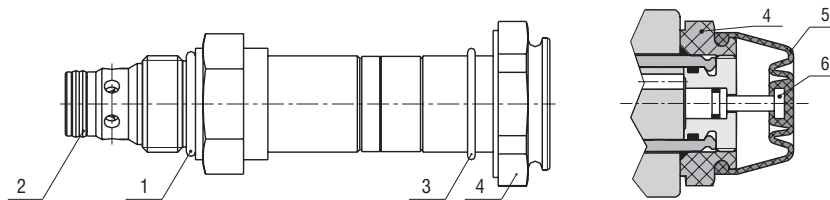


Position	PD2E1											
1+2+3	Seal Kit	Pos.	O-ring	Pcs	Pos.	O-ring	Pcs	Pos.	O-ring	Pcs	Ordering No.	
Cavity	NBR	3	11.2x1.8	1	2	12.42x1.78	1	1	14x1.78	1	17938600	
Y3	FPM	3	11.2x1.8	1	2	12.42x1.78	1	1	14x1.78	1	On request	
Cavity	NBR	3	14x1.78	1	2	16x1.8	1	1	17x1.8	1	16961300	
X3, W3	FPM	3	14x1.78	1	2	16x1.8	1	1	17x1.8	1	On request	
4+5	Kit - Fork+Bolt M8	Pos.		Pcs	Pos.		Pcs				Ordering No.	
		4	Fork SLIP-IN M8	1	5	Bolt M8x16 021143 Zn / PO-A	1				16961500	

Product (Datasheet): **SD1E-A2 (4070), SD2E-A2 (4040), SD3E-A2 (4043), SD1M-A2/L (4051)**

Cavity A2 3/4-16 UNF

- 1 - O-ring
- 2 - Dualseal
- 3 - O-ring
- 4 - Retaining nut
- 5 - Rubber boot protector
- 6 - Actuating pin



Position	SD2E-A2/L, SD3E-A2/L, SD1M-A2/L											
1+2	Seal Kit	Pos.	Dualseal PU	Pcs	Pos.	O-ring NBR	Pcs	Pos.	O-ring Viton - FPM	Pcs	Ordering No.	
	NBR	2	10.3x12.7x3.1	1	1	17x1.8	1	-	-	-	20776700	
	FPM	2	10.3x12.7x3.1	1	-	-	-	1	17.17x1.78	1	17014300	
Position	SD2E-A2/L, SD3E-A2/L											
3+4	Nut Kit	Pos.	O-ring	Pcs	Pos.	Retaining nut	Pcs					
		3	13x2	1	4	Plastic	1					15691500
Position	SD2E-A2/L											
5+6	Kit	Pos.	Rubber boot	Pcs	Pos.	Actuating pin	Pcs					
	for M2	5		1	6		1					29269100
Position	SD1E-A2/H, SD2E-A2/H, SD3E-A2/H											
1+2	Seal Kit	Pos.	Dualseal PU	Pcs	Pos.	O-ring NBR	Pcs	Pos.	O-ring Viton - FPM	Pcs	Ordering No.	
	NBR	2	10.3x12.7x3.1	1	1	17x1.8	1	-	-	-	20776700	
	FPM	2	10.3x12.7x3.1	1	-	-	-	1	17.17x1.78	1	17014300	
3+4	Nut Kit	Pos.	O-ring	Pcs	Pos.	Retaining nut	Pcs					
		3	18x1.5	1	4	Plastic	1					20777000
5+6	Kit	Pos.	Rubber boot	Pcs	Pos.	Actuating pin	Pcs					
	for M2	5		1	6		1					24142700

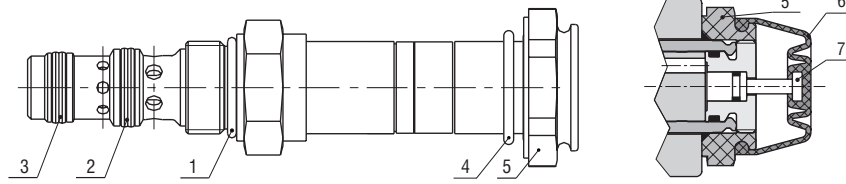
All dimensions are indicated in millimeters [mm].

1 Directional Control Valves and Poppet Valves

Product (Datasheet): **SD1E-A3 (4071), SD2E-A3 (4041), SD6H-AY3 (4052)**

Cavity A3, AY3 3/4-16 UNF

- 1 - O-ring
- 2, 3 - Dualseal
- 4 - O-ring
- 5 - Retaining nut
- 6 - Rubber boot protector
- 7 - Actuating pin



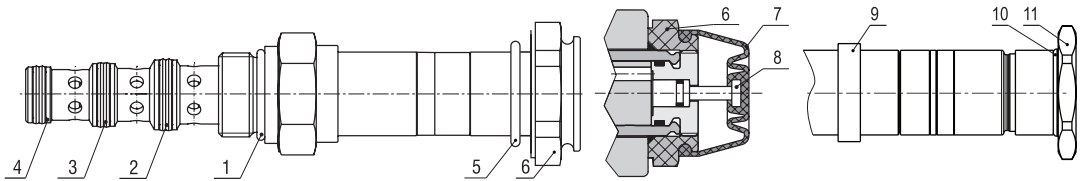
Position	SD2E-A3/L	Pos.	Dualseal PU	Pcs	Pos.	O-ring NBR	Pcs	Pos.	O-ring Viton - FPM	Pcs	Ordering No.
1+2+3	Seal Kit	3	11.87x14.27x3.1	1	1	17x1.8	1	-	-	-	15661700
		2	13.47x15.87x3.1	1							
	NBR	3	11.87x14.27x3.1	1	-	-	-	-	-	-	-
		2	13.47x15.87x3.1	1	-	-	1	17.17x1.78	1	20777200	
4+5	Nut Kit	Pos.	O-ring	Pcs	Pos.	Retaining nut	Pcs				
		4	13x2	1	5	Plastic	1				15691500
6+7	Kit for M2	Pos.	Rubber boot	Pcs	Pos.	Actuating pin	Pcs				
		6		1	7		1				29269100

Position	SD1E-A3/H, SD2E-A3/H, SD6H-AY3/H	Pos.	Dualseal PU	Pcs	Pos.	O-ring NBR	Pcs	Pos.	O-ring Viton - FPM	Pcs	Ordering No.
1+2+3	Seal Kit	3	11.87x14.27x3.1	1	1	17x1.8	1	-	-	-	15661700
		2	13.47x15.87x3.1	1							
	NBR	3	11.87x14.27x3.1	1	-	-	-	-	-	-	
		2	13.47x15.87x3.1	1	-	-	1	17.17x1.78	1	20777200	
4+5	Nut Kit	Pos.	O-ring	Pcs	Pos.	Retaining nut	Pcs				
		4	18x1.5	1	5	Plastic	1				20777000
6+7	Kit for M2	Pos.	Rubber boot	Pcs	Pos.	Actuating pin	Pcs				
		6		1	7		1				24142700

Product (Datasheet): **SD2E-A4 (4042), SD2E-A4/H3 (4097), SD6H-AY4 (4053)**

Cavity A4, AY4 3/4-16 UNF

- 1 - O-ring
- 2, 3, 4 - Dualseal
- 5 - O-ring
- 6 - Retaining nut
- 7 - Rubber boot protector
- 8 - Actuating pin
- 9, 10, 11 - kit for M7, M9 (SD2E-A4/H3)



Position	SD2E-A4/L	Pos.	Dualseal PU	Pcs	O-ring			Pcs	Ordering No.	
1+2+3+4	Seal Kit	4	10.3x12.7x3.1	1	Pos.	NBR	FPM	-	-	
		3	11.87x14.27x3.1	1						1
	2	13.47x15.87x3.1	1							
	NBR	4	10.3x12.7x3.1	1						
		3	11.87x14.27x3.1	1	1	-	17.17x1.78	-	1	20777400
		2	13.47x15.87x3.1	1						
5+6	Sada	Pos.	O-ring	Pcs	Pos.	Retaining nut				
		5	13x2	1	6	Plastic	1			15691500
7+8	Kit for M2	Pos.	Rubber boot	Pcs	Pos.	Actuating pin				
		7		1	8		1			29269100

Position	SD2E-A4/H, SD2E-A4/H3, SD6H-AY4/H	Pos.	Dualseal PU	Pcs	O-ring			Pcs	Ordering No.	
1+2+3+4	Seal Kit	4	10.3x12.7x3.1		Pos.	NBR	FPM	HNBR	-	
		3	11.87x14.27x3.1	1						1
	2	13.47x15.87x3.1	1							
	NBR	4	10.3x12.7x3.1	1	1	-	17.17x1.78	-	1	20777400
		3	11.87x14.27x3.1	1						
		2	13.47x15.87x3.1	1						
FPM	4	10.3x12.7x3.1	1							
	3	11.87x14.27x3.1	1	1	-	-	17.17x1.78	1	44499800	
	2	13.47x15.87x3.1	1							
HNBR	3	11.87x14.27x3.1	1	1	-	-	17.17x1.78	1	44499800	
	2	13.47x15.87x3.1	1							

Position	SD2E-A4/H	Pos.	O-ring	Pcs	Pos.	Retaining nut	Pcs	Ordering No.
5+6	Nut Kit	5	18x1.5	1	6	Plastic	1	20777000
7+8	Kit for M2	Pos.	Rubber boot	Pcs	Pos.	Actuating pin	Pcs	Ordering No.
		7		1	8		1	24142700

Position	SD2E-A4/H3	Pos.	Washer	Pcs	Pos.	O-ring	Pcs	Pos.	Hexagon nut	Pcs	Ordering No.
9+10+11	Kit for M7, M9	9	for coil C19	1	10	15x1.8 VMQ	1	11	M18x1x4x27 PO-B	1	44498500

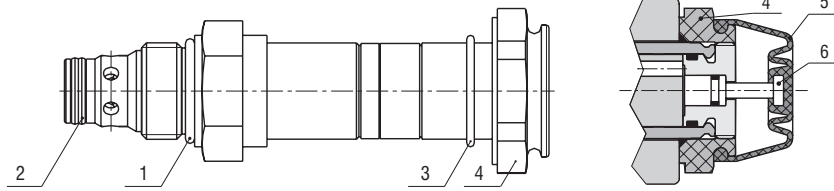
All dimensions are indicated in millimeters [mm].

1 Directional Control Valves and Poppet Valves

Product (Datasheet): **SD2E-B2 (4060), SD3E-B2 (4063), SD3E-C2 (4078)**

Cavity B2 7/8-14 UNF

- 1 - O-ring
- 2 - Dualseal
- 3 - O-ring
- 4 - Retaining nut
- 5 - Rubber boot protector
- 6 - Actuating pin



Position	SD2E-B2/L, SD3E-B2/L										
1+2	Seal Kit	Pos.	Dualseal PU	Pcs	Pos.	O-ring NBR	Pcs	Pos.	O-ring Viton - FPM	Pcs	Ordering No.
	NBR	2	13.47x15.87x3.1	1	1	19.4x2.1	1	-	-	-	18960400
	FPM	2	13.47x15.87x3.1	1	-	-	-	1	19.4x2.1	1	18960500
3+4	Nut Kit	Pos.	O-ring	Pcs	Pos.	Retaining nut	Pcs				
		3	18x1.5	1	4	Plastic	1				20777000
5+6	Kit	Pos.	Rubber boot	Pcs	Pos.	Actuating pin	Pcs				
	for M2	5		1	6		1				24142700

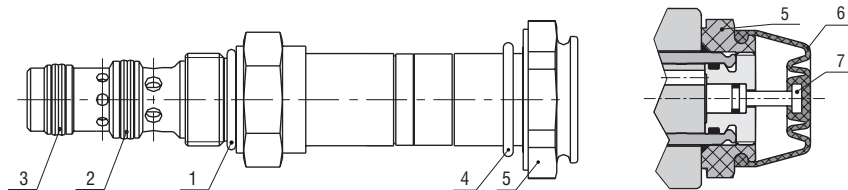
Position	SD2E-B2/H, SD3E-B2/H										
1+2	Seal Kit	Pos.	Dualseal PU	Pcs	Pos.	O-ring NBR	Pcs	Pos.	O-ring Viton - FPM	Pcs	Ordering No.
	NBR	2	13.47x15.87x3.1	1	1	19.4x2.1	1	-	-	-	18960400
	FPM	2	13.47x15.87x3.1	1	-	-	-	1	19.4x2.1	1	18960500
3+4	Nut Kit	Pos.	O-ring	Pcs	Pos.	Retaining nut	Pcs				
		3	22x2	1	4	Plastic	1				15844600
5+6	Kit	Pos.	Rubber boot	Pcs	Pos.	Actuating pin	Pcs				
	for M2	5		1	6		1				40099800

Position	SD3E-C2/H										
1+2	Seal Kit	Pos.	Dualseal PU	Pcs	Pos.	O-ring NBR	Pcs	Pos.	O-ring Viton - FPM	Pcs	Ordering No.
	NBR	2	19.62x22.22x3.8	1	1	23.47x2.95	1	-	-	-	40730500
	FPM	2	19.62x22.22x3.8	1	-	-	-	1	23.47x2.95	1	40730600
3+4	Nut Kit	Pos.	O-ring	Pcs	Pos.	Retaining nut	Pcs				
		3	22x2	1	4	Plastic	1				15844600
5+6	Kit	Pos.	Rubber boot	Pcs	Pos.	Actuating pin	Pcs				
	for M2 for 2O2	5		1	6		1				40099800

Product (Datasheet): **SD2E-B3 (4061)**

Cavity B3 7/8-14 UNF

- 1 - O-ring
- 2, 3 - Dualseal
- 4 - O-ring
- 5 - Retaining nut
- 6 - Rubber boot
- 7 - Actuating pin



Position	SD2E-B3/L										
1+2+3	Seal Kit	Pos.	Dualseal PU	Pcs	Pos.	O-ring NBR	Pcs	Pos.	O-ring Viton - FPM	Pcs	Ordering No.
	NBR	3	13.47x15.87x3.1	1	1	19.4x2.1	1	-	-	-	18960700
		2	15.07x17.47x3.1	1							
	FPM	3	13.47x15.87x3.1	1	-	-	-	1	19.4x2.1	1	18960600
		2	15.07x17.47x3.1	1							
4+5	Nut Kit	Pos.	O-ring	Pcs	Pos.	Retaining nut	Pcs				
		4	18x1.5	1	5	Plastic	1				20777000
6+7	Kit	Pos.	Rubber boot	Pcs	Pos.	Actuating pin	Pcs				
	for M2	6		1	7		1				24142700

Position	SD2E-B3/H										
1+2+3	Seal Kit	Pos.	Dualseal PU	Pcs	Pos.	O-ring NBR	Pcs	Pos.	O-ring Viton - FPM	Pcs	Ordering No.
	NBR	3	13.47x15.87x3.1	1	1	19.4x2.1	1	-	-	-	18960700
		2	15.07x17.47x3.1	1							
	FPM	3	13.47x15.87x3.1	1	-	-	-	1	19.4x2.1	1	18960600
		2	15.07x17.47x3.1	1							
4+5	Nut Kit	Pos.	O-ring	Pcs	Pos.	Retaining nut	Pcs				
		4	22x2	1	5	Plastic	1				15844600
6+7	Kit	Pos.	Rubber boot	Pcs	Pos.	Actuating pin	Pcs				
	for M2	6		1	7		1				40099800

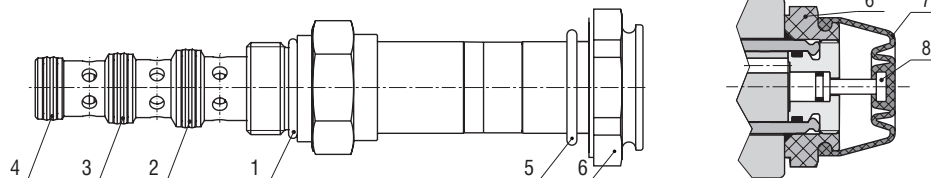
All dimensions are indicated in millimeters [mm].

1 Directional Control Valves and Poppet Valves

Product (Datasheet): **SD2E-B4 (4062)**

Cavity B4 7/8-14 UNF

- 1 - O-ring
- 2, 3, 4 - Dualseal
- 5 - O-ring
- 6 - Retaining nut
- 7 - Rubber boot
- 8 - Actuating pin



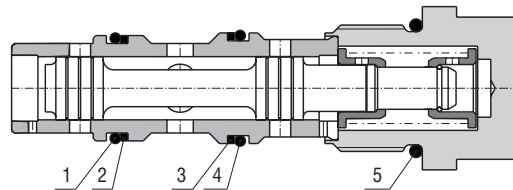
Position	SD2E-B4/L										
1+2+3+4	Seal Kit	Pos.	Dualseal PU	Pcs	Pos.	O-ring NBR	Pcs	Pos.	O-ring Viton - FPM	Pcs	Ordering No.
	NBR	4	13.47x15.87x3.1	1	1	19.4x2.1	1	-	-	-	18960800
		3	15.07x17.47x3.1	1							
		2	16.65x19.05x3.1	1							
	FPM	4	13.47x15.87x3.1	1	-	-	-	1	19.4x2.1	1	18960900
		3	15.07x17.47x3.1	1							
		2	16.65x19.05x3.1	1							
5+6	Nut Kit	Pos.	O-ring	Pcs	Pos.	Retaining nut	Pcs				Ordering No
		5	18x1.5	1	6	Plastic	1				20777000
7+8	Kit	Pos.	Rubber boot	Pcs	Pos.	Actuating pin	Pcs				Ordering No
	for M2	7		1	8		1				24142700

Position	SD2E-B4/H										
1+2+3+4	Seal Kit	Pos.	Dualseal PU	Pcs	Pos.	O-ring NBR	Pcs	Pos.	O-ring Viton - FPM	Pcs	Ordering No.
	NBR	4	13.47x15.87x3.1	1	1	19.4x2.1	1	-	-	-	18960800
		3	15.07x17.47x3.1	1							
		2	16.65x19.05x3.1	1							
	FPM	4	13.47x15.87x3.1	1	-	-	-	1	19.4x2.1	1	18960900
		3	15.07x17.47x3.1	1							
		2	16.65x19.05x3.1	1							
5+6	Nut Kit	Pos.	O-ring	Pcs	Pos.	Retaining nut	Pcs				Ordering No
		5	22x2	1	6	Plastic	1				15844600
7+8	Kit	Pos.	Rubber boot	Pcs	Pos.	Actuating pin	Pcs				Ordering No
	for M2	7		1	8		1				40099800

Product (Datasheet): **SD2H-LA3 (4080)**

Cavity LA3 M24x1.5

- 1 - O-ring
- 2 - Back-up ring
- 3 - Back-up ring
- 4 - O-ring
- 5 - O-ring



Position	SD2H-LA3										
1+2+3+4+5	Seal Kit	Pos.	O-ring NBR	Pcs	Pos.	Back-up ring (PTFE)	Pcs	Ordering No.			
	NBR	1	16x2	1	2	17x20x1.4	1	40101900			
		4	17x2	1	3	18x21x1.4	1				
		5	21.3x2.4	1	-		-				
1+2+3+4+5	Seal Kit	Pos.	O-ring Viton - FPM	Pcs	Pos.	Back-up ring (PTFE)	Pcs	Ordering No.			
	FPM	1	16x2	1	2	17x20x1.4	1	On request			
		4	17x2	1	3	18x21x1.4	1				
		5	21.3x2.4	1	-		-				

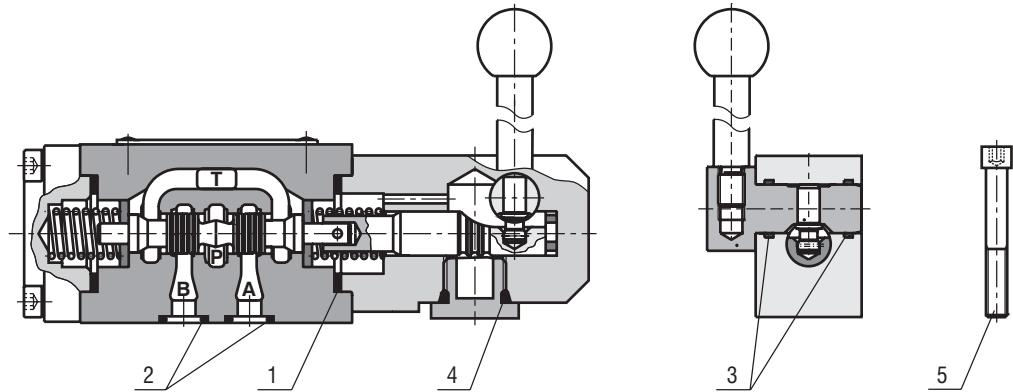
All dimensions are indicated in millimeters [mm].

1 Directional Control Valves and Poppet Valves

Product (Datasheet): **RPR3-04 (4018), RPR3-06 (4004)**

Valve size 04, 06

- 1 - O-ring
- 2 - Square ring (NBR), O-ring (FPM)
- 3 - O-ring
- 4 - O-ring
- 5 - Bolt

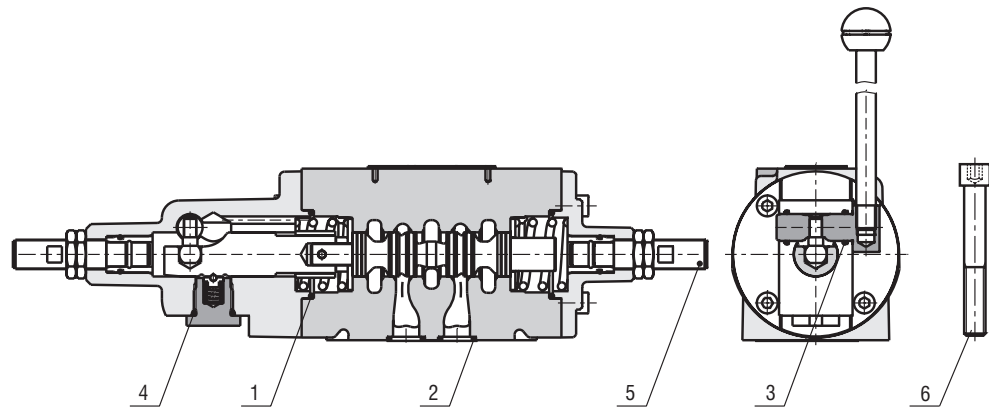


Position	RPR3-04													
1+2+3+4	Seal Kit	Pos.	O-ring	Pcs	Pos.	Ring	Pcs	Pos.	O-ring	Pcs	Pos.	O-ring	Pcs	Ordering No.
	NBR	1	22x2	2	2	Square ring 7.65x1.68	4	3	11x1.5	2	4	11.3x2.4	1	15673600
	FPM		22x2	2		O-ring 7.5x1.8	4		11x1.5	2		11.3x2.4	1	20897200
5	Bolt Kit	Pos.	Mounting bolts for steel plates				Pcs							Ordering No.
		5	Bolt M5x35				4							15874600
Bolts for flange			M4x16											
For studs see Datasheet Studs and Nuts_Dn04_06_10_0020														
Position	RPR3-06													
1+2+3+4	Seal Kit	Pos.	O-ring	Pcs	Pos.	Ring	Pcs	Pos.	O-ring	Pcs	Pos.	O-ring	Pcs	Ordering No.
	NBR	1	22x2	2	2	Square ring 9.25x1.68	4	3	11x1.5	2	4	11.3x2.4	1	15700300
	FPM		22x2	2		O-ring 9.25x1.78	4		11x1.5	2		11.3x2.4	1	15700600
5	Bolt Kit	Pos.	Mounting bolts for steel plates				Pcs							Ordering No.
		5	Bolt M5x45				4							15845100
Bolts for flange			M5x16											Mounting bolts for flange are not available
For studs see Datasheet Studs and Nuts_Dn04_06_10_0020														

Product (Datasheet): **RPR1-10 (4084)**

Valve size 10

- 1 - O-ring
- 2 - Square ring
- 3 - O-ring
- 4 - O-ring
- 5 - Sensor
- 6 - Bolt



Position	RPR1-10													
1+2+3+4	Seal Kit	Pos.	O-ring	Pcs	Pos.	Square ring	Pcs	Pos.	O-ring	Pcs	Pos.	O-ring	Pcs	Ordering No.
	NBR	1	32x2	2	2	12.42x1.68	5	3	11x1.5	2	4	14x1.78	1	33830800
	FPM		32x2	2		12.42x1.68	5		11x1.5	2		14x1.78	1	34635600
5	Model	Pos.					Pcs	Max. input voltage				Ordering No.		
Sensor	S1	5	normally-open sensor (210 bar)				1	10...30 VDC				18961900		
	S4		normally-closed sensor (210 bar)				1					31022300		
6	Bolt Kit			Pos.			Pcs							
Mounting bolts for steel plates				6	Bolt M6x45		4	for studs see Datasheet 0020				20239000		

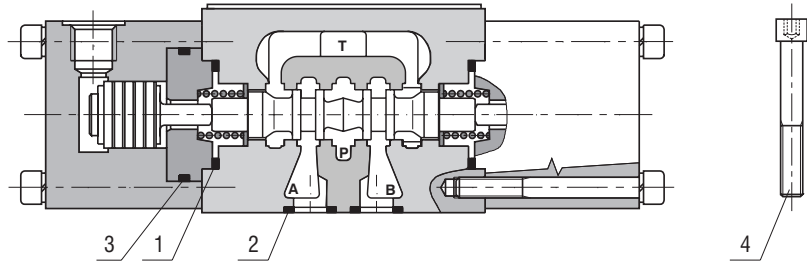
All dimensions are indicated in millimeters [mm].

1 Directional Control Valves and Poppet Valves

Product (Datasheet): **RPH2-06 (4005), RPH3-06 (4006)**

Valve size 06

- 1 - O-ring
- 2 - Square ring (NBR), O-ring (FPM)
- 3 - O-ring
- 4 - Bolt

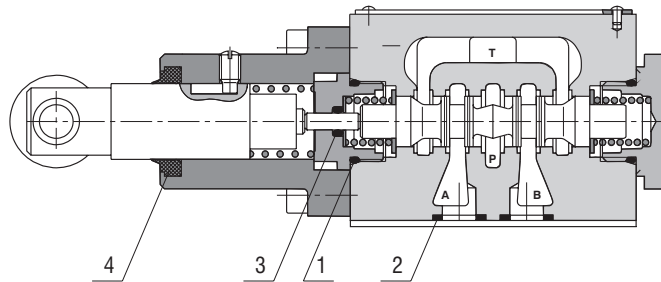


Position		RPH2-06										
1+2+3	Seal Kit	Pos.	O-ring	Pcs	Pos.	Ring	Pcs	Pos.	O-ring	Pcs	Ordering No.	
	NBR	1	22x2	2	2	Square ring 9.25x1.68	4	3	28x2	2	20980500	
	FPM		22x2	2		O-ring 9.25x1.78	4		28x2	2	20980600	
4	Bolt Kit	Pos.								Pcs	Ordering No.	
Mounting bolts for steel plates		4	Bolt M5x45				4			15845100		
Position		RPH3-06										
1+2	Seal Kit	Pos.	O-ring	Pcs	Pos.	Ring	Pcs			Ordering No.		
	NBR	1	17x1.8	2	2	Square ring 9.25x1.68	4			15845200		
	FPM		17.17x1.78	2		O-ring 9.25x1.78	4			15845400		
4	Bolt Kit	Pos.								Pcs	Ordering No.	
Mounting bolts for steel plates		4	Bolt M5x45				4			15845100		
Bolts for flange		M5x16									Mounting bolts for flange are not available	
For studs see Datasheet Studs and Nuts_Dn04_06_10_0020												

Product (Datasheet): **RPK1-06 (4038)**

Valve size 06

- 1 - O-ring
- 2 - Square ring (NBR), O-ring (FPM)
- 3 - O-ring
- 4 - Wiper ring



Position		RPK1-06													
1+2+3+4	Seal Kit	Pos.	O-ring	Pcs	Pos.	Ring	Pcs	Pos.	O-ring	Pcs	Pos.	Wiper ring	Pcs	Ordering No.	
	NBR	1	17x1.8	2	2	Square ring 9.25x1.68	4	3	3.68x1.78	1	4	WSW 000180 ASW	1	20980900	
	FPM		17.17x1.78	2		O-ring 9.25x1.78	4		3.68x1.78	1			34524700		
5	Bolt Kit	Pos.	Mounting bolts for steel plates				Pcs					Ordering No.			
		5	Bolt M5x45				4	for studs see Datasheet 0020				15845100			

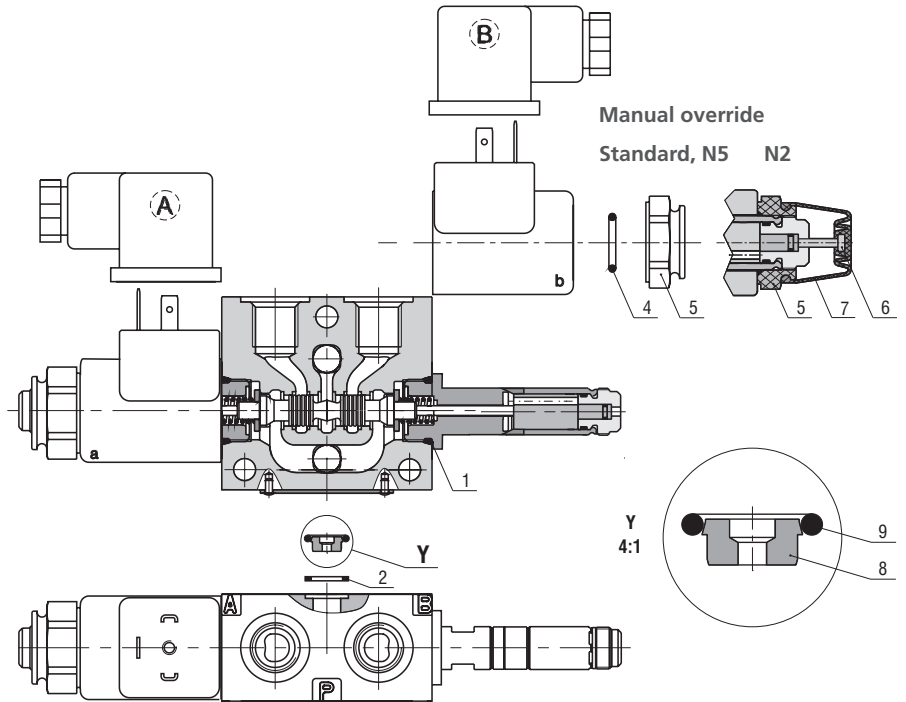
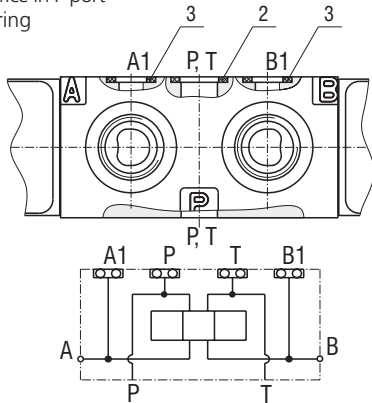
All dimensions are indicated in millimeters [mm].

1 Directional Control Valves and Poppet Valves

Product (Datasheet): **RPEK1-03 (4027)**

Valve size 03

- 1 - O-ring
- 2 - Square ring (NBR), O-ring (FPM)
- 3 - Square ring (NBR), O-ring (FPM)
- 4 - O-ring
- 5 - Retaining nut
- 6 - Actuating pin
- 7 - Rubber boot
- 8 - Orifice in P port
- 9 - O-ring



For solenoid coil see datasheet C_8007.
For electrical connector see datasheet K_8008.

Position	RPEK1-03*										
1+2+3	Seal Kit	Pos.	O-ring	Pcs	Pos.	Ring	Pcs	Pos.	Ring	Pcs	Ordering No.
Universal kit for all designations	NBR	1	16x2	2	2	Square ring 9.25x1.68	2	3	Square ring 7.65x1.68	2	28839800
	FPM	1	16x2	2	2	O-ring 9.25x1.78	2	3	O-ring 7.65x1.78	2	28840100
4+5	Nut Kit	Pos.	O-ring	Pcs	Pos.	Retaining nut	Pcs				
Standard, N5, N2	Standard, N5, N2	4	13x2	1	5	Plastic	1				
6+7	Kit	Pos.	Actuating pin	Pcs	Pos.	Rubber boot	Pcs				
	N2	6		1	7		1				
8+9	Kit	Pos.	Orifice in P port	Pcs	Pos.	O-ring NBR	Pcs				
Orifice in P port with NBR seal		8	Ø1.0	1	9	9.25x1.78	1	On request			
			Ø1.5	1							
			Ø2.0	1							
			Ø2.2	1							
			Ø2.5	1							
8+9	Kit	Pos.	Orifice in P port	Pcs	Pos.	O-ring FPM	Pcs				
Orifice in P port with FPM seal		8	Ø1.0	1	9	9.25x1.78	1	Ordering No.			
			Ø1.5	1							
			Ø2.0	1							
			Ø2.2	1							
			Ø2.5	1							

All dimensions are indicated in millimeters [mm].

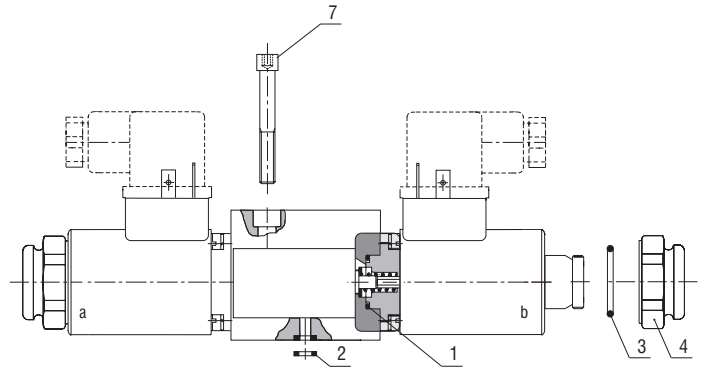
1 Directional Control Valves and Poppet Valves

Product (Datasheet): **RPE2-04 (4012)**

Valve size 04

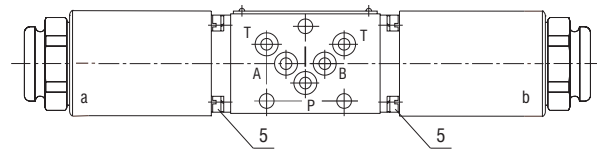
- 1 - O-ring
- 2 - Square ring (NBR)
- 3 - O-ring
- 4 - Retaining nut
- 5 - Bolts for moutange of flange
- 6 - Bolts for moutange of cover
- 7 - Mounting bolt

Valve with two solenoids
3-position valve



Mounting surface 2

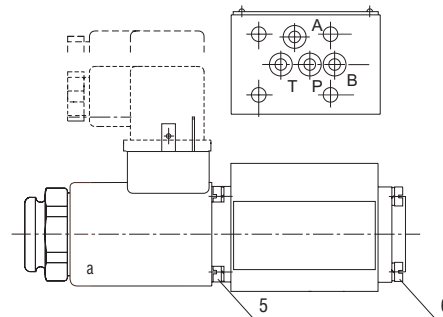
acc. to former CETOP-RP 121H



Mounting surface 3

acc. to former ISO 4401-AA-02-4-A

Valve with one solenoid
2-position valve



For solenoid coil see datasheet C_8007.
For electrical connector see datasheet K_8008.

Position	RPE2-04*2									
1+2	Seal Kit	Pos.	O-ring	Pcs	Pos.	Square ring	Pcs			Ordering No.
	NBR	1	15x1.8	2	2	5.28x1.68	5			20882100
	RPE2-04*3									
	Seal Kit	Pos.	O-ring	Pcs	Pos.	O-ring	Pcs			Ordering No.
	NBR	1	15x1.8	2	2	6x1.5	4			15669000
Position	RPE2-04*2, RPE2-04*3									
3+4	Nut Kit	Pos.	O-ring	Pcs	Pos.	Retaining nut	Pcs			Ordering No.
	Standard	3	18x1.5	1	4	Plastic	1			15874500
Position	3-position valve									
5+5	Bolt Kit	Pos.	Bolt	Pcs	Pos.	Bolt	Pcs	Pos.	Washer	Pcs
		5	M4x12	4	5	M4x12	4	-	D4.1	8
Position	2-position valve									
5+6	Bolt Kit	Pos.	Bolt	Pcs	Pos.	Bolt	Pcs	Pos.	Washer	Pcs
		5	M4x12	4	6	M4x10	4	-	D4.1	8
7	Bolt Kit	Pos.	Universal kit				Pcs			Ordering No.
Mounting bolts for steel plates Bolt M5x35		7	for Mounting surface 2 or 3				4	for studs see Datasheet 0020		15874600

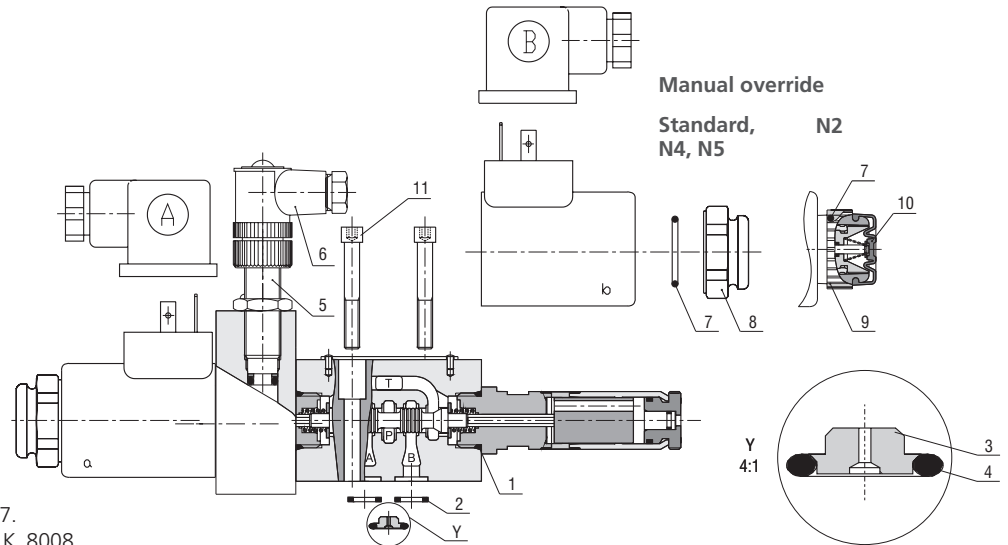
All dimensions are indicated in millimeters [mm].

1 Directional Control Valves and Poppet Valves

Product (Datasheet): **RPE3-04 (4014)**

Valve size 04

- 1 - O-ring
- 2 - Square ring (NBR), O-ring (FPM)
- 3 - Orifice in P port
- 4 - O-ring
- 5 - Sensor
- 6 - Connector of position sensor with LED
- 7 - O-ring
- 8 - Retaining nut
- 9 - Retaining nut
- 10 - Rubber boot
- 11 - Mounting bolt



For solenoid coil see datasheet C_8007.
For electrical connector see datasheet K_8008.

Position	RPE3-04										
1+2	Seal Kit	Pos.	O-ring	Pcs	Pos.	Ring	Pcs			Ordering No.	
	NBR	1	16x2	2	2	Square ring 7.65x1.68	4			15873800	
	FPM		16x2	2		O-ring 7.5x1.8	4			15874400	
3+4	Kit	Pos.	Orifice in P port	Pcs	Pos.	O-ring NBR	Pcs			Ordering No.	
Orifice in P port with NBR seal		3	Ø0.8	1	4	7.65x1.78	1			15874000	
			Ø1.0	1				15874100			
			Ø1.2	1				15874200			
			Ø1.5	1				15874300			
			Ø0.7	1				15874900			
3+4	Kit	Pos.	Orifice in P port	Pcs	Pos.	O-ring FPM	Pcs			Ordering No.	
Orifice in P port with FPM seal		3	Ø0.8	1	4	7.65x1.78	1			On request	
			Ø1.0	1							
			Ø1.2	1							
			Ø1.5	1							
			Ø0.7	1							
5	Model				Pos.		Pcs	Max. input voltage		Ordering No.	
Sensor	S1	normally-open sensor (210 bar)			5		1	10...30 VDC		18961900	
	S4	normally-closed sensor (210 bar)					1		31022300		
6					Pos.		Pcs	Max. input voltage		Ordering No.	
Connector	K02	connector of position sensor with LED			6		1	10...30 VDC		17364800	
7+8	Nut Kit	Pos.	O-ring	Pcs	Pos.	Retaining nut	Pcs			Ordering No.	
	ST, N4, N5	7	18x1.5	1	8	Plastic	1			15874500	
7+9+10	Nut Kit	Pos.	O-ring	Pcs	Pos.	Retaining nut	Pcs	Pos.	Rubber boot	Pcs	Ordering No.
	N2	7	18x1.5	1	9	Plastic	1	10		1	15874800
11	Bolt Kit	Pos.					Pcs				Ordering No.
Mounting bolts for steel plates	11		Bolt M5x35				4		for studs see Datasheet 0020		15874600

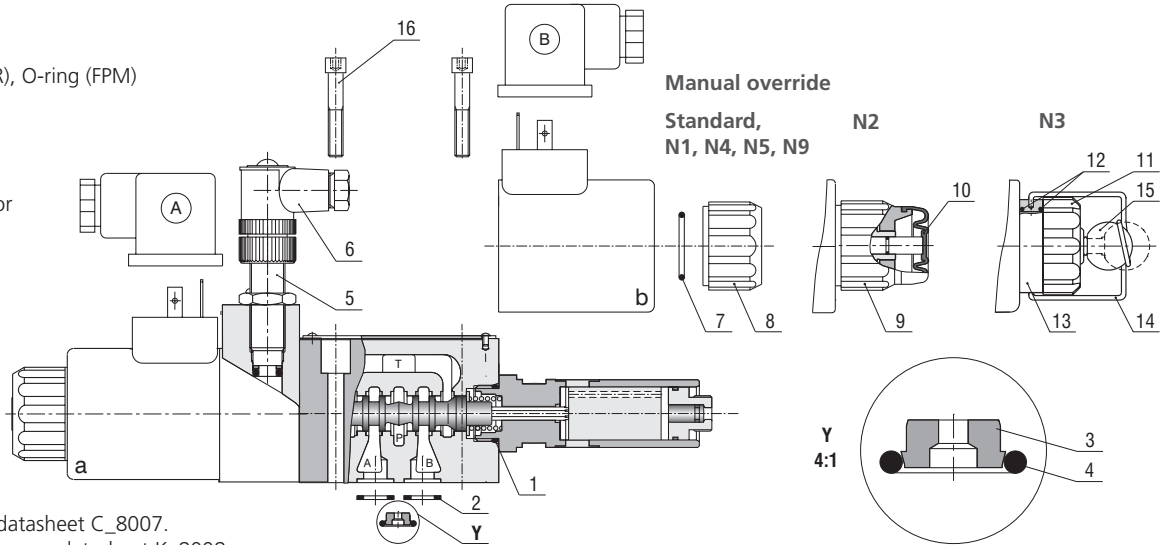
All dimensions are indicated in millimeters [mm].

1 Directional Control Valves and Poppet Valves

Product (Datasheet): **RPE3-06 (4010), RPEA3-06 (4029), RPEW4-06 (4035), RPER3-06 (4026)**

Valve size 06

- 1 - O-ring
- 2 - Square ring (NBR), O-ring (FPM)
- 3 - Orifice in P port
- 4 - O-ring
- 5 - Sensor
- 6 - Connector of position sensor with LED
- 7 - O-ring
- 8 - Retaining nut
- 9 - Retaining nut
- 10 - Rubber boot
- 11 - Nut
- 12 - O-ring
- 13 - Ring
- 14 - Bracket
- 15 - Ball
- 16 - Mounting bolt



For solenoid coil see datasheet C_8007.
For electrical connector see datasheet K_8008.

Position	RPE3-06, RPEA3-06, RPEW4-06, RPER3-06												
1+2	Seal Kit	Pos.	O-ring	Pcs	Pos.	Ring	Pcs	Ordering No.					
	NBR	1	17x1.8	2	2	Square ring 9.25x1.68	4	15845200					
	FPM		17.17x1.78	2		O-ring 9.25x1.78	4	15845400					
Position	RPE3-06, RPEA3-06, RPEW4-06												
3+4	Kit	Pos.	Orifice in P port	Pcs	Pos.	O-ring NBR	Pcs	Ordering No.					
Orifice in P port with NBR seal		3	Ø1.0	1	4	9.25x1.78	1	On request					
			Ø1.5	1									
			Ø2.0	1									
			Ø2.2	1									
			Ø2.5	1									
3+4	Kit	Pos.	Orifice in P port	Pcs	Pos.	O-ring FPM	Pcs	Ordering No.					
Orifice in P port with FPM seal		3	Ø1.0	1	4	9.25x1.78	1	15845600					
			Ø1.5	1									
			Ø2.0	1									
			Ø2.2	1									
			Ø2.5	1									
Position	RPE3-06												
5	Model	Pos.		Pcs	Max. input voltage	Ordering No.							
Sensor	S1	normally-open sensor (210 bar)	5	1	10...30 VDC	18961900							
	S4	normally-closed sensor (210 bar)		1		31022300							
6		Pos.		Pcs	Max. input voltage	Ordering No.							
Connector	K02	connector of position sensor with LED	6	1	10...30 VDC	17364800							
Position	RPER3-06												
7+8	Nut Kit	Pos.	O-ring	Pcs	Pos.	Retaining nut	Pcs	Ordering No.					
	Standard	7	22x2	1	8	Plastic	1	15844600					
Position	RPE3-06, RPEA3-06, RPEW4-06												
7+8	Nut Kit	Pos.	O-ring	Pcs	Pos.	Retaining nut	Pcs	Ordering No.					
	Standard, N4,N5,N9	7	22x2	1	8	Plastic	1	15844600					
	N1				8	Plastic	1	15844700					
7+9+10	Nut Kit	Pos.	O-ring	Pcs	Pos.	Retaining nut	Pcs	Pos.	Rubber boot	Pcs	Ordering No.		
	N2	7	22x2	1	9	Plastic	1	10		1	15844800		
11+12+13+14	Pos.	Retaining nut	Pcs	Pos.	O-ring	Pcs	Pos.	Ring	Pcs	Pos.	Bracket	Pcs	Ordering No.
Nut Kit	11	Plastic	1	12	22x2	2	13	Steel	1	14	Steel	1	15844900
15	Pos.	Ball		Pcs								Ordering No.	
	15	D16 M6, bakelite		1								20346700	
Position	RPE3-06, RPEA3-06, RPEW4-06, RPER3-06												
16	Bolt Kit	Pos.		Pcs	Ordering No.								
Mounting bolts for steel plates	16	Bolt M5x45		4	for studs see Datasheet 0020 15845100								

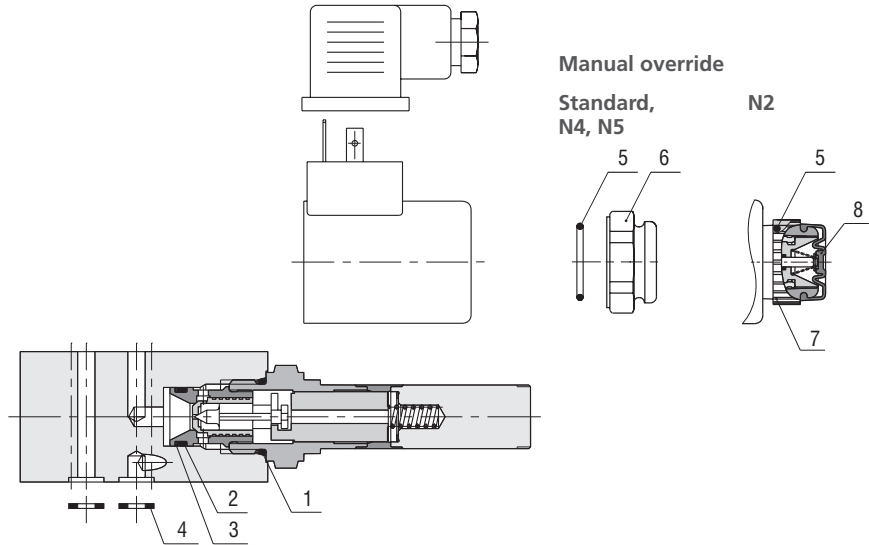
All dimensions are indicated in millimeters [mm].

1 Directional Control Valves and Poppet Valves

Product (Datasheet): **ROE3-042S5(S6) (4055), ROE3-062S2 (4022), ROE3-042S5(S6)M (4073), ROE3-062S2M (4072)**

Valve size 04, 06

- 1 - O-ring
- 2 - O-ring
- 3 - Back-up ring
- 4 - Square ring (NBR), O-ring (FPM)
- 5 - O-ring
- 6 - Retaining nut
- 7 - Retaining nut
- 8 - Rubber boot



Position	ROE3-042S5(S6), ROE3-062S2, ROE3-042S5(S6)M, ROE3-062S2M											
1+2+3	Seal Kit	Pos.	O-ring	Pcs	Pos.	O-ring	Pcs	Pos.	Back-up ring	Pcs	Ordering No.	
	NBR	1	19.4x2.1	1	2	14x1.78	1	3	14.73x17.43x1.1	2	15650200	
	FPM		19.4x2.1	1		14x1.78	1		14.73x17.43x1.1	2	16954700	
Position	ROE3-042S5(S6)M, ROE3-062S2M											
4	Seal Kit	Pos.	Square ring	Pcs	Pos.	O-ring	Pcs				Ordering No.	
size 04	NBR	4	7.65x1.68	4	-	-	-				20718400	
size 06			9.25x1.68	4	-	-	-				15650300	
size 04	FPM	-	-	-	4	7.65x1.78	4				22502600	
size 06			-	-	-	4	9.25x1.78	4				22944700
Position	ROE3-042S5(S6), ROE3-042S5(S6)M											
5+6	Nut Kit	Pos.	O-ring	Pcs	Pos.	Retaining nut	Pcs				Ordering No.	
	Standard, N4	5	18x1.5	1	6	Plastic	1				15874500	
5+7+8	Nut Kit	Pos.	O-ring	Pcs	Pos.	Retaining nut	Pcs	Pos.	Rubber boot	Pcs	Ordering No.	
	N2	5	18x1.5	1	7	Plastic	1	8		1	15874800	
Position	ROE3-062S2, ROE3-062S2M											
5+6	Nut Kit	Pos.	O-ring	Pcs	Pos.	Retaining nut	Pcs				Ordering No.	
	Standard, N5	5	18x1.5	1	6	Plastic	1				15874500	

All dimensions are indicated in millimeters [mm].

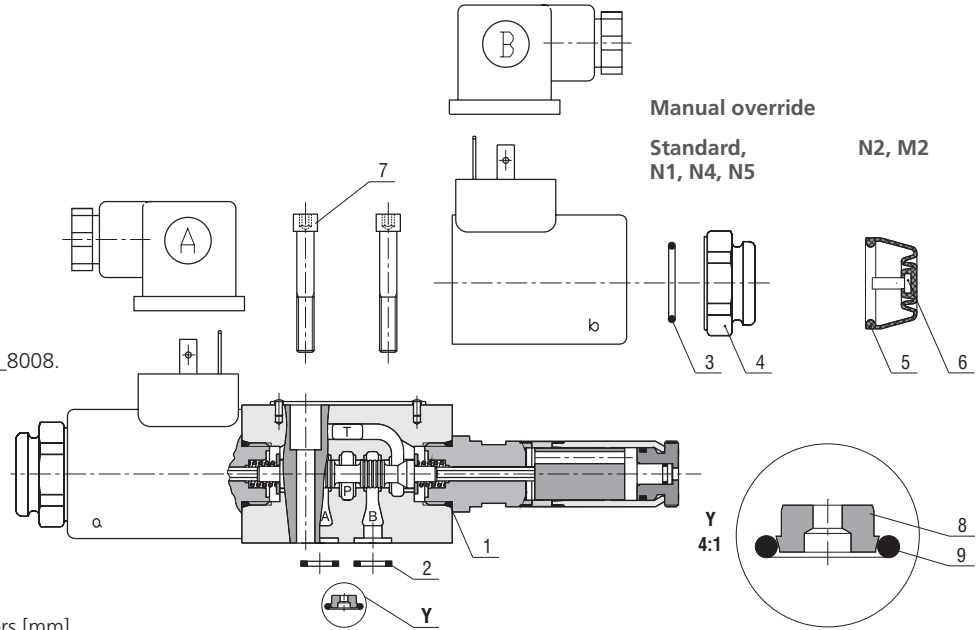
1 Directional Control Valves and Poppet Valves

Product (Datasheet): **RPEL1-04 (4037), RPEL2-06 (4056), RPEL1-10 (4046)**

Valve size 04, 06

- 1 - O-ring
- 2 - Square ring (NBR), O-ring (FPM)
- 3 - O-ring
- 4 - Retaining nut
- 5 - Rubber boot
- 6 - Actuating pin
- 7 - Mounting bolt
- 8 - Orifice in P port
- 9 - O-ring

For solenoid coil see datasheet C_8007.
For electrical connector see datasheet K_8008.



All dimensions are indicated in millimeters [mm].

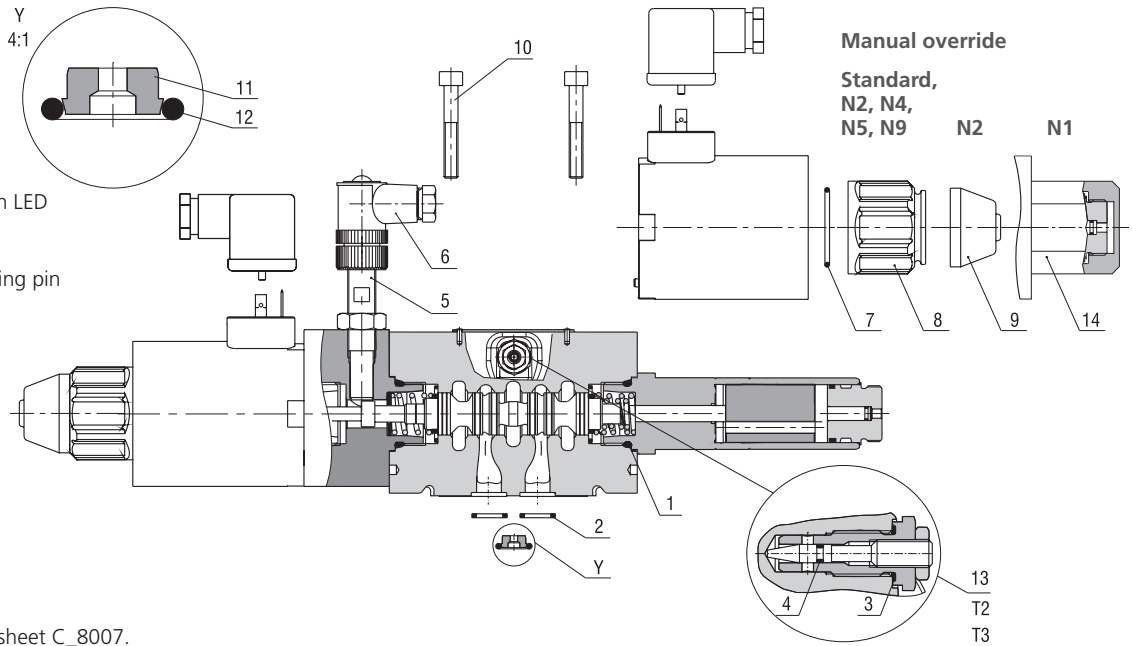
Position	RPEL1-04	Pos.	O-ring	Pcs	Pos.	Ring	Pcs	Ordering No.
1+2	Seal Kit	1	16x2	2	2	Square ring 7.65x1.68	4	15873800
	NBR		16x2	2		O-ring 7.5x1.8	4	15874400
3+4	Nut Kit	3	O-ring	Pcs	4	Retaining nut	Pcs	Ordering No.
	Standard, N5		13x2	1		Plastic	1	15691500
5+6	Kit	5	Rubber boot	Pcs	6	Actuating pin	Pcs	Ordering No.
	N2			1			1	29269100
7	Bolt Kit	Pos.	Bolt	Pcs			Ordering No.	
Mounting bolts for steel plates			7	Bolt M5x35 DIN 912-10.9			4	15874600
8+9	Kit	see Product (Datasheet):		RPE3-04 (4014)			Page 11	
Position	RPEL2-06	Pos.	O-ring	Pcs	Pos.	Ring	Pcs	Ordering No.
1+2	Seal Kit	1	17x1.8	2	2	Square ring 9.25x1.68	4	15845200
	NBR		17.17x1.78	2		O-ring 9.25x1.78	4	15845400
3+4	Nut Kit	3	O-ring	Pcs	4	Retaining nut	Pcs	Ordering No.
	Standard		18x1.5	1		Plastic	1	15874500
5+6	Kit	5	Rubber boot	Pcs	6	Actuating pin	Pcs	Ordering No.
	M2			1			1	24142800
7	Bolt Kit	Pos.	Bolt	Pcs			Ordering No.	
Mounting bolts for steel plates			7	Bolt M5x45			4	15845100
8+9	Kit	see Product (Datasheet):		RPE3-06 (4010)			Page 12	
Position	RPEL1-10	Pos.	O-ring	Pcs	Pos.	Ring	Pcs	Ordering No.
1+2	Seal Kit	1	23,81x2,62	2	2	12,42x1,68	5	23114300
	NBR		23,47x2,62	2		12,42x1,68	5	23114400
3+4	Nut Kit	3	O-ring	Pcs	4	Retaining nut	Pcs	Ordering No.
	Standard		22x2	1		Plastic	1	15844600
7	Bolt Kit	7	Bolt	Pcs		Plastic - closed	1	15844700
Mounting bolts for steel plates			7	Bolt M6x45	for studs see Datasheet 0020		4	20239000
8+9	Kit	see Product (Datasheet):		RPE4-10 (4039)			Page 15	

1 Directional Control Valves and Poppet Valves

Product (Datasheet): **RPE4-10 (4039), RPEW4-10 (4044)**

Valve size 10

- 1 - O-ring
- 2 - Square ring
- 3 - Seal
- 4 - Seal
- 5 - Sensor
- 6 - Connector
of position sensor with LED
- 7 - O-ring
- 8 - Retaining nut (Plastic)
- 9 - Rubber boot + Actuating pin
- 10 - Mounting bolt
- 11 - Orifice in P port
- 12 - O-ring
- 13 - Soft-shift
spool speed control
with seal
- 14 - Retaining nut (Al)



For solenoid coil see datasheet C_8007.
For electrical connector see datasheet K_8008.

Position	RPE4-10, RPEW4-10													
1+2+3+4	Seal Kit	Pos.	O-ring	Pcs	Pos.	Square ring	Pcs	Pos.	Seal for T2, T3	Pcs	Pos.	O-ring for T3	Pcs	Ordering No.
	NBR	1	23.81x2.62	2	2	12.42x1.68	5	3	8.4x11.9x1	1	4	1.8x1	1	15901000
	FPM		23.47x2.62	2		12.42x1.68	5		10DRV100084	1		1.78x1.02	1	15901100
Position	RPE4-10													
5	Sensor - model	Pos.								Pcs	Max. input voltage	Ordering No.		
	S1	5	normally-open sensor (210 bar)							1	10...30 VDC	18961900		
	S4		normally-closed sensor (210 bar)									31022300		
Position	RPE4-10, RPEW4-10													
6	Connector	Pos.								Pcs	Max. input voltage	Ordering No.		
	K02	6	connector of position sensor with LED							1	10...30 VDC	17364800		
7+8	Nut Kit	Pos.	O-ring	Pcs	Pos.	Retaining nut	Pcs					Ordering No.		
	Standard, N2, N4, N5, N9	7	30x2	1	8	Plastic	1					15900800		
7+14	Nut Kit	Pos.	O-ring	ks	Pos.	Retaining nut	Pcs					Ordering No.		
	N1	7	30x2	1	14	Aluminium	1					45332300		
9	Kit	Pos.								Pcs	Ordering No.			
	N2	9	Rubber boot + Actuating pin							1	15900900			
10	Bolt Kit	Pos.								Pcs	Ordering No.			
	Mounting bolts for steel plates	10	Bolt M6x45	4	for studs see Datasheet 0020					20239000				
11+12	Kit	Pos.	Orifice in P port	Pcs	Pos.	O-ring NBR	Pcs					Ordering No.		
Orifice in P port with NBR seal	11	12	Ø0.5	1	12.42x1.78	1					21670800			
			Ø1.2	1							15848400			
			Ø1.5	1							15848700			
			Ø2.0	1							17451200			
			Ø2.5	1							15848500			
			Ø3.5	1							16656400			
Ø4.0	1					15848600								
11+12	Kit	Pos.	Orifice in P port	Pcs	Pos.	O-ring FPM	Pcs					Ordering No.		
Orifice in P port with FPM seal	11	12	Ø0.5	1	12.42x1.78	1					On request			
			Ø1.2	1										
			Ø1.5	1										
			Ø2.0	1										
			Ø2.5	1										
			Ø3.5	1										
Ø4.0	1													
13	Kit	Pos.	Soft shift with seal				Pcs					Ordering No.		
Soft shift	T2	13	orifice Ø0.6 mm (0.02 inch) in T line bridge				1					15901200		
	T3		adjustable needle valve in T line bridge				1					15901300		

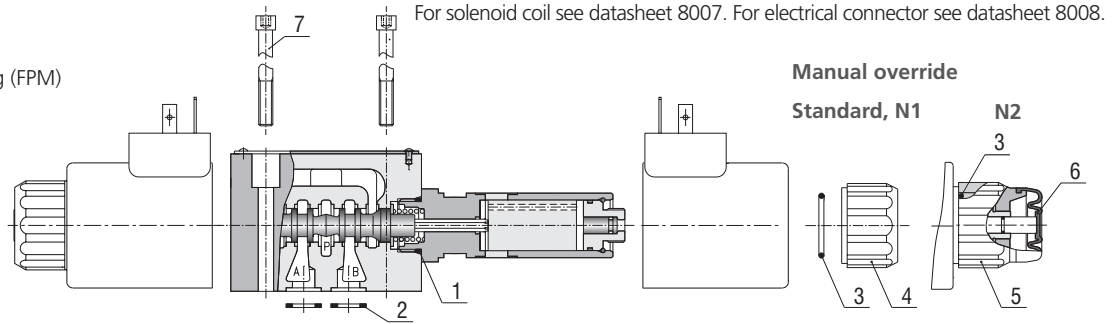
All dimensions are indicated in millimeters [mm].

1 Directional Control Valves and Poppet Valves

Product (Datasheet): **RNEH1-10 (4075), RNEH5-16 (4023), RNEH4-25 (4024)**

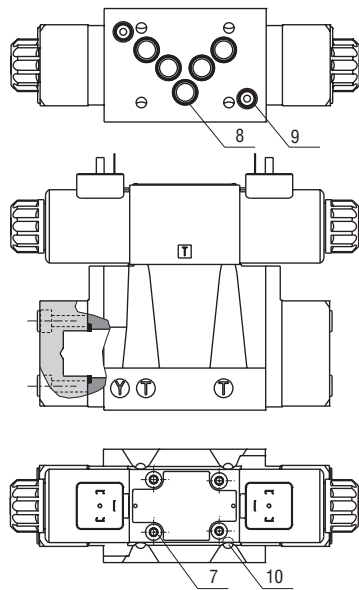
RPE3-06

- 1 - O-ring
- 2 - Square ring (NBR), O-ring (FPM)
- 3 - O-ring
- 4 - Retaining nut
- 5 - Retaining nut
- 6 - Rubber boot +
Actuating pin
- 7 - Mounting bolt
- 8, 9 - Seal
- 10, 11 - Bolts

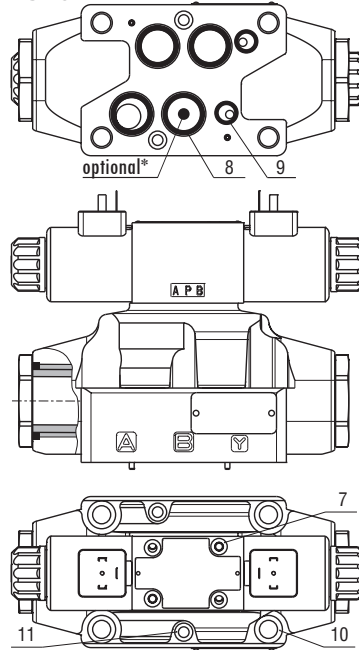


For solenoid coil see datasheet 8007. For electrical connector see datasheet 8008.

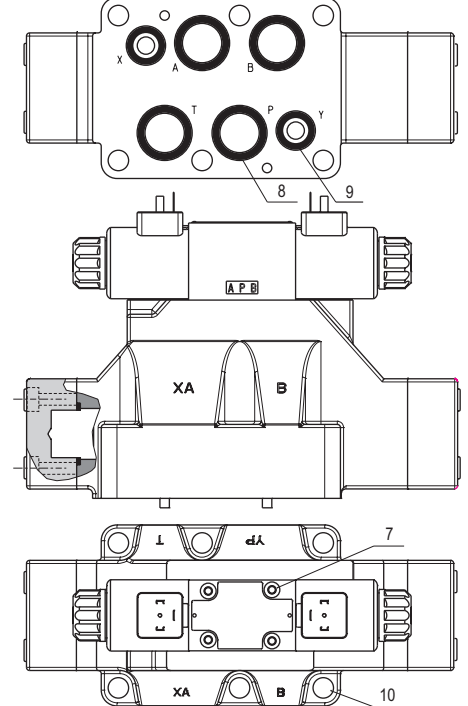
RNEH1-10



RNEH5-16



RNEH4-25



All dimensions are indicated in millimeters [mm].

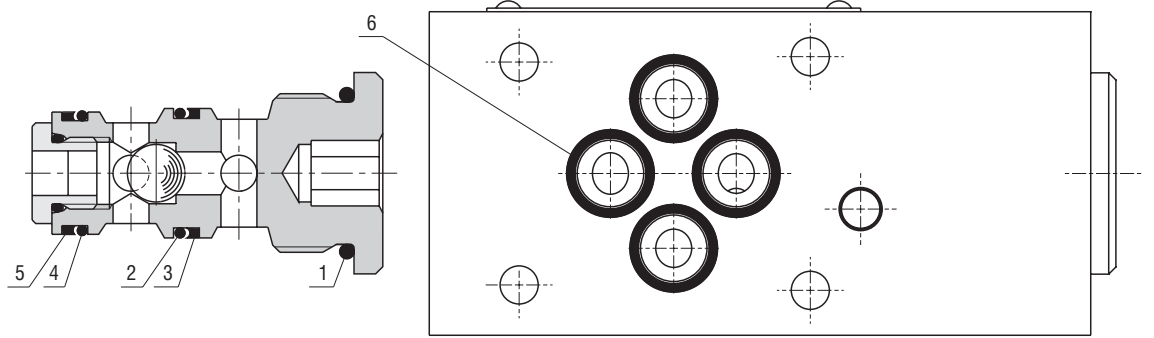
Position	RPE3-06	Pos.	O-ring	Pcs	Pos.	Ring	Pcs	Ordering No.	
1+2	Seal Kit	1	O-ring	2	2	Square ring 9.25x1.68	4	15845200	
			NBR	17x1.8	2	O-ring 9.25x1.78	4	15845400	
			FPM	17.17x1.78	2				
3+4	Nut Kit	3	O-ring	1	4	Plastic	1	15844600	
			Standard	22x2	1	Plastic	1	15844700	
			N1		1				
3+5+6	Nut Kit	3	O-ring	1	5	Plastic	1	15844800	
			N2	22x2	1		6	1	15844800
7	Bolt Kit	7	Bolt M5x45	4			Ordering No.		
Mounting bolts for steel plates 7 Bolt M5x45 4 for studs see Datasheet 0020 15845100									
Position	RNEH1-10	Pos.	O-ring	Pcs	Pos.	O-ring	Pcs	Ordering No.	
8+9	Seal Kit	8	O-ring	5	9	9.25x1.78	2	40075900	
			NBR	12.42x1.78	5	-	2	On request	
			FPM	-	5				
10	Bolts	10	Bolt M6x35	4			Ordering No.		
Mounting bolts 10 Bolt M6x35 4 Mounting bolts for steel plates are not available									
Position	RNEH5-16	Pos.	O-ring	Pcs	Pos.	O-ring	Pcs	Ordering No.	
8+9	Seal Kit	8	O-ring	4	9	10.82x1.78	2	40076000	
			NBR	22.22x2.62	4	-	2	On request	
			FPM	-	4				
10+11	Bolts	10	Bolt M10x60	4	11	Bolt M6x50	2	Ordering No.	
Mounting bolts 10 Bolt M10x60 4 11 Bolt M6x50 2 Mounting bolts for steel plates are not available									
Position	RNEH4-25	Pos.	O-ring	Pcs	Pos.	O-ring	Pcs	Ordering No.	
8+9	Seal Kit	8	O-ring	4	9	20.29x2.62	2	40076200	
			NBR	29.82x2.62	4	-	2	On request	
			FPM	-	4				
10	Bolts	10	Bolt M12x60	6			Ordering No.		
Mounting bolts 10 Bolt M12x60 6 Mounting bolts for steel plates are not available 31950200									
*Optional Backpressure Check valve C3 31950200									

2 Check Valves

Product (Datasheet): **LV1-043 (5008), LV2-043 (5028), LV1-063/S (5015), LV1-063/M (5030)**

Valve size 04, 06

- 1 - O-ring
- 2 - O-ring
- 3 - Back-up ring
- 4 - O-ring
- 5 - Back-up ring
- 6 - Square ring (NBR),
O-ring (FPM)



Pos.	LV1-043																
2+3	Seal Kit				Pos.	O-ring	Pcs	Pos.	Back-up ring (PT)	Pcs			Ordering No.				
	NBR				2	6x1	1	3	8.5x6.8x1	1			40110200				
	FPM					6x1	1		8.5x6.8x1	1			16755700				
Pos.	LV2-043																
2-5	Seal Kit				Pos.	O-ring	Pcs	Pos.	Back-up ring (PT)	Pcs	Pos.	O-ring	Pcs	Pos.	Back-up ring (PT)	Pcs	Ordering No.
	NBR				2	6.07x1.78	1	3	6.6x9.5x1.4	1	4	6x1.5	1	5	6x8.5x1	1	30708000
	FPM					6.07x1.78	1		6.6x9.5x1.4	1		6x1.5	1		6x8.5x1	1	30707900
Pos.	LV1-063/S, LV1-063/M																
1-5	Seal Kit	Pos.	O-ring	Pcs	Pos.	O-ring	Pcs	Pos.	Back-up ring (PT)	Pcs				Ordering No.			
	NBR	1	19.4x2.1	1	2,4	14x1.78	2	3,5	14.73x17.43x1.1	2				22752700			
	FPM		19.4x2.1	1		14x1.78	2		14.73x17.43x1.1	2				31920800			
Pos.	LV1-063/M																
6	Seal Kit				Pos.	Ring					Pcs		Ordering No.				
	NBR				6	Square ring 9.25x1.68					4		15650300				
	FPM					O-ring 9.25x1.78					4		22944700				

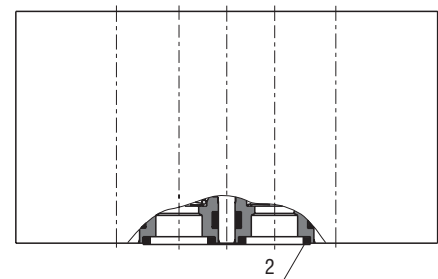
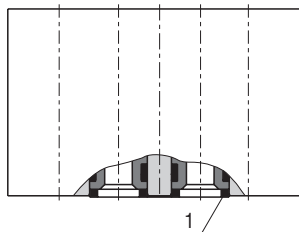
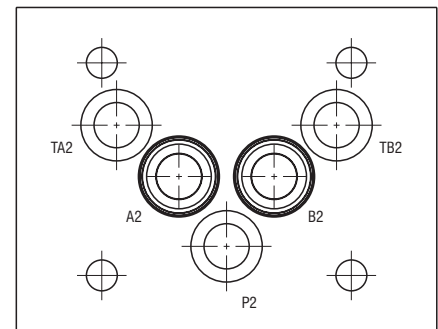
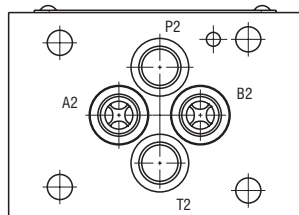
Product (Datasheet): **MVJ3-06 (5018), MVJ3-10 (5020)**

Valve size 06, 10

- 1 - Square ring (NBR), O-ring (FPM)
- 2 - Square ring

Valve size 06

Valve size 10



Position	MVJ3-06				
1	Seal Kit	Pos.	Ring	Pcs	Ordering No.
	NBR	1	Square ring 9.25x1.68	4	15650300
	FPM		O-ring 9.25x1.78	4	22944700
Position	MVJ3-10				
2	Seal Kit	Pos.	Square ring	Pcs	Ordering No.
	NBR	4	12.42x1.68	5	15991600
	FPM		12.42x1.68	5	40066700

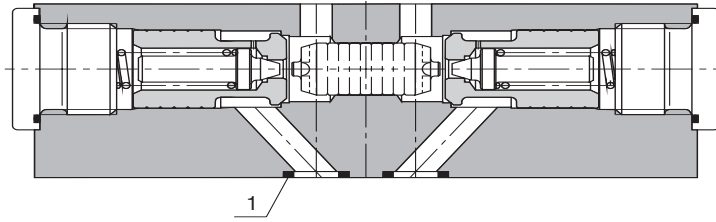
All dimensions are indicated in millimeters [mm].

2 Check Valves

Product (Datasheet): **VJR1-04/M (5023), VJR2-06/M (5024), 2RJV1-06/M (5021), VJR3-10/M (5035)**

Valve size 04, 06, 10

1 - Square ring (NBR), O-ring (FPM)

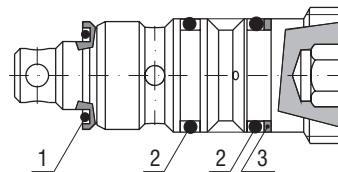


Position	VJR1-04/M		Pos.	Ring	Pcs	Ordering No.
1	Seal Kit					
	NBR	1		Square ring 7.65x1.68	4	20718400
	FPM			O-ring 7.65x1.78	4	22502600
Position	VJR2-06/M, 2RJV1-06/M		Pos.	Ring	Pcs	Ordering No.
1	Seal Kit					
	NBR	1		Square ring 9.25x1.68	4	15650300
	FPM			O-ring 9.25x1.78	4	22944700
Position	VJR3-10/M		Pos.	Square ring	Pcs	Ordering No.
1	Seal Kit					
	NBR	1		12.42x1.68	5	15991600
	FPM			12.42x1.68	5	40066700

Product (Datasheet): **RJV1-05 (5111)**

Valve size 05

1 - O-ring
2 - O-ring
3 - Back-up ring



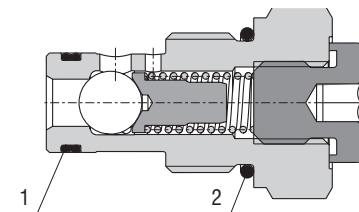
Position	RJV1-05		Pos.	O-ring	Pcs	Pos.	O-ring	Pcs	Pos.	Back-up ring	Pcs	Ordering No.
1+2+3	Seal Kit											
	NBR	1		12.42x1.78	1	2	15.08x2.62	2	3	14.66x19.02x1.14 (NBR)	1	15969700
	FPM			12.42x1.78	1		15.08x2.62	2		14.66x19.02x1.14 (PT)	1	22806000

Product (Datasheet): **SC1F-A2 (5010), SC1F-B2 (5017), SC1F-C2 (5036), SC1F-A3 (5016), SH1F-A3 (5029), SQ1F-N3 (5075), SC5H-BP3 (5037), SC5H-CP3 (5039)**

Cavity A2, B2, C2, A3

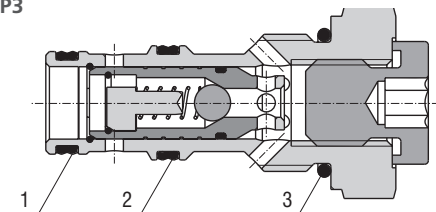
SC1F-A2
SC1F-B2
SC1F-C2
SC1F-A3

1 - O-ring
2 - Dualseal



Cavity A3, N3, BP3, CP3

SH1F-A3
SQ1F-N3
SC5H-BP3
SC5H-CP3
1 - Dualseal
2 - Dualseal
3 - O-ring



Position	SC1F-A2		Pos.	Dualseal PU	Pcs	Pos.	O-ring NBR	Pcs	Pos.	O-ring - FPM	Pcs	Ordering No.
1+2	Seal Kit											
	NBR	1		10.3x12.7x3.1	1	2	17x1.8	1	-	-	-	20776700
	FPM	1		10.3x12.7x3.1	1	-	-	-	2	17.17x1.78	1	17014300
1+2	SC1F-B2											
	NBR	1		13.47x15.87x3.1	1	2	19.4x2.1	1	-	-	-	18960400
	FPM	1		13.47x15.87x3.1	1	-	-	-	2	19.4x2.1	1	18960500
1+2	SC1F-C2											
	NBR	1		19.62x22.22x3.8	1	2	24x2.5	1	-	-	-	40958200
	FPM	1		19.62x22.22x3.8	1	-	-	-	2	24x2.5	1	40958400
1+2	SC1F-A3											
	NBR	1		11.87x14.27x3.1	1	2	17x1.8	1	-	-	-	15661700
	FPM	1		11.87x14.27x3.1	1	-	-	-	2	17.17x1.78	1	20777200
Position	SH1F-A3		Pos.	Dualseal PU	Pcs	Pos.	Dualseal PU	Pcs	Pos.	O-ring	Pcs	Ordering No.
1+2+3	Seal Kit											
	NBR	1		11.87x14.27x3.1	1	2	13.47x15.87x3.1	1	3	17x1.8 (NBR)	1	15661700
	FPM	1		11.87x14.27x3.1	1	2	13.47x15.87x3.1	1	3	17.17x1.78 (FPM)	1	20777200
1+2+3	SQ1F-N3											
	NBR	1		7.87x5.17x2.5	1	2	8.66x5.96x2.5	1	3	8.92x1.83 NBR 90	1	45480300
1+2+3	SC5H-BP3											
	NBR	1		15.07x17.47x3.1	1	2	16.65x19.05x3.1	1	3	19.4x2.1 NBR 70	1	40771600
	FPM			15.07x17.47x3.1	1			16.65x19.05x3.1		1		119.4x2.1 V 80
1+2+3	SC5H-CP3											
	NBR	1		19.62x22.22x3.8	1	2	21.2x23.8x3.8	1	3	24x2.5 NBR 90	1	41676200
	FPM			19.62x22.22x3.8	1			21.2x23.8x3.8		1		24x2.5 V 90

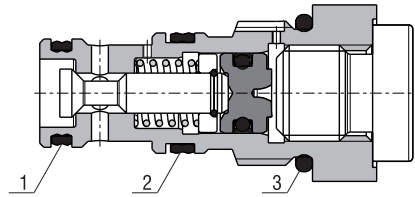
All dimensions are indicated in millimeters [mm].

2 Check Valves

Product (Datasheet): **SC5H-I3/S (5045)**

Cavity I3

- 1 - Dualseal
- 2 - Dualseal
- 3 - O-ring

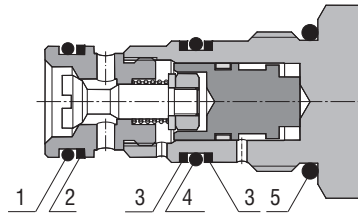


Position	SC5H-I3/S													
1+2+3	Seal Kit	Pos.	Dualseal PU		Pcs	Pos.	Dualseal PU		Pcs	Pos.	O-ring		Pcs	Ordering No.
	NBR	1	10,2X13X2,5 PU 93		1	2	12,6X15X3 PU 93		1	3	15.4x2.1 NBR 90 BK		1	44817600
	FPM	1	10,2X13X2,5 PU 93		1	2	12,6X15X3 PU 93		1	3	15.4x2.1 FPM 90 BN		1	45438800

Product (Datasheet): **SC5H-Q3/I (5217), SC5H-R3/I (5218), SC5H-S3/I (5220), SCD5H-R3/I (5219)**

Cavity Q3, R3, S3

- 1 - O-ring
- 2 - Back-up ring
- 3 - Back-up ring
- 4 - O-ring
- 5 - O-ring

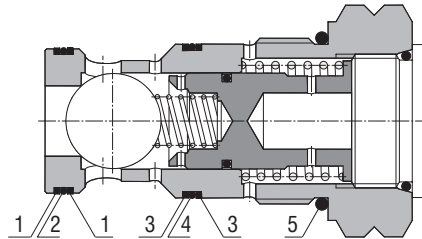


Position	SC5H-Q3/I, SC5H-R3/I, SC5H-S3/I																
1+2+3+4+5	Seal Kit	Pos.	O-ring	Pcs	Pos.	Back-up ring	Pcs	Pos.	Back-up ring	Pcs	Pos.	O-ring	Pcs	Pos.	O-ring	Pcs	Ordering No.
		1		1	2		1	3		2	4		1	5		1	On request

Product (Datasheet): **SCC5H-Q3/I (5221), SCC5H-S3/I (5222)**

Cavity Q3, S3

- 1 - Dualseal
- 2 - O-ring
- 3 - Dualseal
- 4 - O-ring
- 5 - O-ring

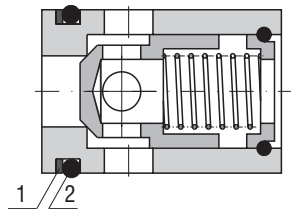


Position	SCC5H-Q3/I, SCC5H-S3/I																
1+2+3+4+5	Seal Kit	Pos.	Back-up ring	Pcs	Pos.	O-ring	Pcs	Pos.	Back-up ring	Pcs	Pos.	O-ring	Pcs	Pos.	O-ring	Pcs	Ordering No.
		1		2	2		1	3		2	4		1	5		1	On request

Product (Datasheet): **VJ3 (5009), VJS3 (5019)**

Valve size 06, 10, 16, 20
Model 02, 03

- 1 - Back-up ring
- 2 - O-ring



Position	VJ3, VJS3									
1+2	Seal Kit	Pos.	Back-up ring		Pcs	Pos.	O-ring		Pcs	Ordering No.
06	NBR	1	14.66x19.02x1.14		1	2	15.08x2.62		1	22701100
10			19.43x23.79x1.14				20x2.65			15954600
16			28.98x34.98x1.02				28x3.55			15954700
20			33.88x39.88x1.02				32.92x3.53			22701400

All dimensions are indicated in millimeters [mm].

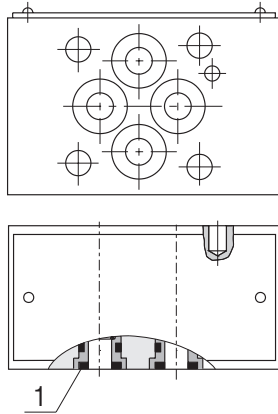
2 Check Valves

Product (Datasheet): **VJO1-04/M (5012), VJO1-06/S (5004), VJO1-10/S (5307)**

Valve size 04

VJO1-04/M

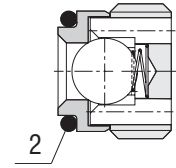
1 - Square ring (NBR),
O-ring (FPM)



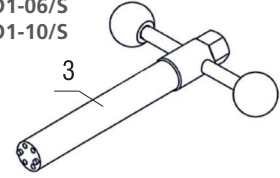
Valve size 06, 10

2 - O-ring

VJO1-06/S*
VJO1-10/S*



VJO1-06/S
VJO1-10/S



3 - Tool for screwing
of the valve into cavity

Position	VJO1-04/M		Pos.	Ring	Pcs	Ordering No.
1	Seal Kit		1	Square ring 6.07x1.68	4	15946100
	NBR			O-ring 6.07x1.78	4	22662600
	FPM					
Position	VJO1-06/S		Pos.	O-ring	Pcs	Ordering No.
2	Seal Kit		2	8x1.5	1	16755400
	NBR	VJO1-06/S*-1		9x1	1	15949700
		VJO1-06/S*-2		8x1.5	1	16969800
	FPM	VJO1-06/S*-1		9x1	1	15949800
VJO1-06/S*-2						
3	Tool for screwing of the valve		3		Pcs	Ordering No.
	Model 01	VJO1-06/S*-1			1	15949500
	Model 02	VJO1-06/S*-2			1	28395600
Position	VJO1-10/S		Pos.	O-ring	Pcs	Ordering No.
2	Seal Kit		2	11.4x2.1	1	20141900
	NBR			11.4x2.1	1	On request
	FPM					
3	Tool for screwing of the valve		3		Pcs	Ordering No.
					1	43844300

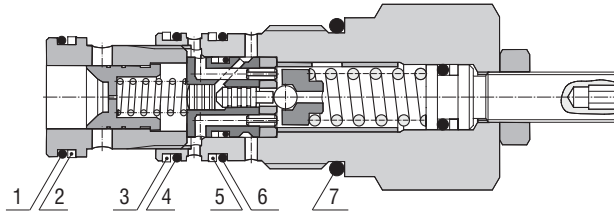
All dimensions are indicated in millimeters [mm].

3 Pressure Control Valves

Product (Datasheet): **SU6A-U3/I** (5224), **SUD6A-V4/I** (5225), **SUD6A-U4/I** (5226)

Cavity U3, V4, U4

- 1 - O-ring
- 2 - Back-up ring
- 3 - Back-up ring
- 4 - O-ring
- 5 - Back-up ring
- 6 - O-ring
- 7 - O-ring



Position	SU6A-U3/I		SUD6A-V4/I, SUD6A-U4/I	
1+2+5+6+7	Seal Kit	Pos. 1, 6, 7	O-ring	Pcs 3
			Back-up ring	Pos. 2, 5
				Pcs 2
				Ordering No. On request
1+2+3+4+5+6+7	Seal Kit	Pos. 1, 4, 6, 7	O-ring	Pcs 4
			Back-up ring	Pos. 2, 3, 5
				Pcs 3
				Ordering No. On request

Product (Datasheet): **VPP2-04/S** (5093), **VPP2-04/M(R)** (5094)

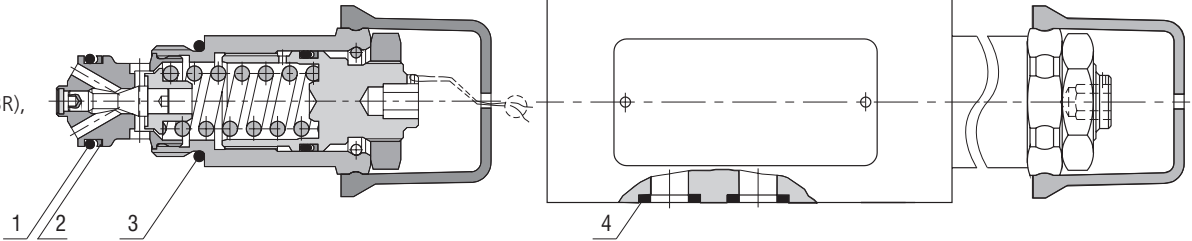
Valve size 04

VPP2-04/S, VPP2-04/M(R)

Modular plate size 04, 06

VPP2-04/M(R)

- 1 - O-ring
- 2 - Back-up ring
- 3 - O-ring
- 4 - Square ring (NBR), O-ring (FPM)



Pos.	VPP2-04/S, VPP2-04/M(R)		VPP2-04/M(R)*04		VPP2-04/M(R)*06	
1+2+3	Seal Kit	Pos. 1	O-ring	Pcs 1	Pos. 2	Back-up ring
	NBR		14x1.78	1		14.73x17.43x1.14
	FPM		14x1.78	1		14.73x17.43x1.14
					Pos. 3	O-ring
						19.4x2.1
						Pcs 1
						Ordering No. 15650200
						19.4x2.1
						Pcs 1
						Ordering No. 16954700
4	Seal Kit				Pos. 4	Ring
	NBR					Square ring 7.65x1.68
	FPM					O-ring 7.65x1.78
						Pcs 4
						Ordering No. 20718400
						Pcs 4
						Ordering No. 22502600
4	Seal Kit				Pos. 4	Ring
	NBR					Square ring 9.25x1.68
	FPM					O-ring 9.25x1.78
						Pcs 4
						Ordering No. 15650300
						Pcs 4
						Ordering No. 22944700

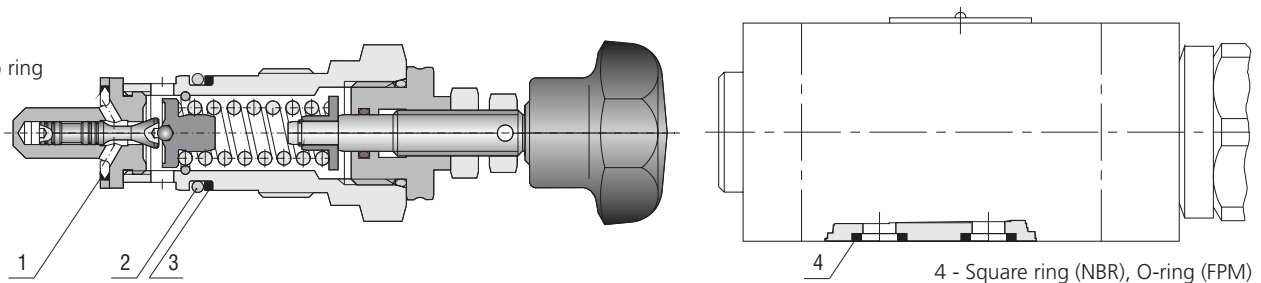
Product (Datasheet): **VPP2-06** (5062), **VPP2-06-SV/xx-CE1017** (5066)

Valve size 06

VPP2-06

VPP2-06*P

- 1 - U-seal
- 2 - O-ring
- 3 - Back-up ring



Pos.	VPP2-06, VPP2-06-SV/xx-CE1017		VPP2-06*P	
1+2+3	Seal Kit	Pos. 1	U-seal	Pcs 1
	NBR		17.4x24x1.5	1
	FPM		17.4x24x1.5	1
				Pos. 2
			O-ring	Pcs 1
			20x2.65	1
			20.29x2.62	1
				Pos. 3
			Back-up ring	Pcs 1
			19.43x23.79x1.14	1
			19.43x23.79x1.14	1
				Pcs 1
				Ordering No. 16757100
				Ordering No. 40112100
4	Seal Kit			
	NBR			Pos. 4
	FPM			
				Ring
				Square ring 9.25x1.68
				O-ring 9.25x1.78
				Pcs 2
				Ordering No. 15650300
				Pcs 2
				Ordering No. 22944700

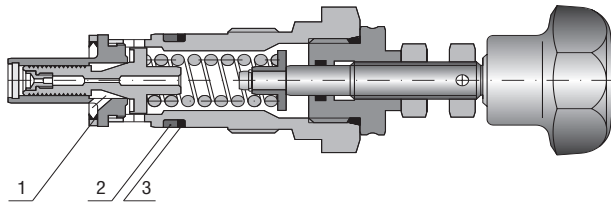
All dimensions are indicated in millimeters [mm].

3 Pressure Control Valves

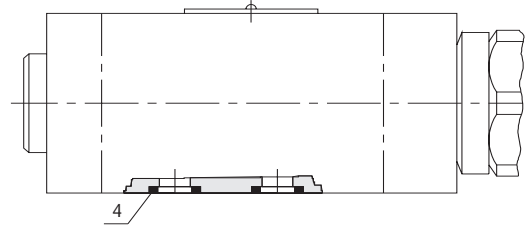
Product (Datasheet): **VPP1-06(08,10) (5061)**

Valve size 06, 08, 10 **VPP1-06(08,10)**

- 1 - U-seal
- 2 - O-ring
- 3 - Back-up ring



VPP1-06*P



4 - Square ring (NBR), O-ring (FPM)

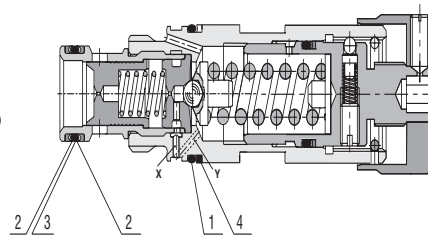
Pos. VPP1-06											
1+2+3	Seal Kit	Pos.	U-seal	Pcs	Pos.	O-ring	Pcs	Pos.	Back-up ring	Pcs	Ordering No.
	NBR	1	17.4x24x1.5	1	2	20x2.65	1	3	19.43x23.79x1.14	1	16757100
	FPM		17.4x24x1.5	1		20.29x2.62	1		19.43x23.79x1.14	1	40112100
Pos. VPP1-08, 10											
1+2+3	Seal Kit	Pos.	U-seal	Pcs	Pos.	O-ring	Pcs	Pos.	Back-up ring	Pcs	Ordering No.
	NBR	1	24.7x32x2	1	2	26.64x2.62	1	3	27.46x31.82x1.1	1	15972200
	FPM		24.7x32x2	1		26.64x2.62	1		27.46x31.82x1.1	1	15972000
Pos. VPP1-06*P											
4	Seal Kit	Pos.	Ring	Pcs	Ordering No.						
	NBR	4	Square ring 9.25x1.68	2	15650300						
	FPM		O-ring 9.25x1.78	2	22944700						
Pos. VPP1-10*P											
4	Seal Kit	Pos.	Square ring	Pcs	Ordering No.						
	NBR	4	12.42x1.68	2	15991600						
	FPM		12.42x1.68	2	40066700						

Product (Datasheet): **VPN1-06/S, SX, SY (5161), VPN1-06/M(R) (5160)**

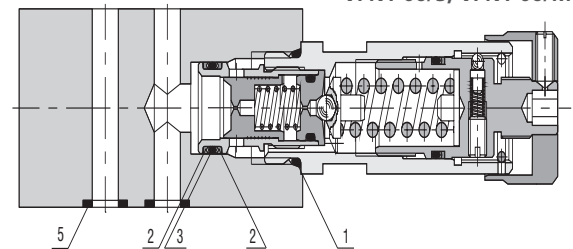
Valve size 06

VPN1-06/SX, VPN1-06/SY

- 1 - O-ring
- 2 - Back-up ring
- 3 - O-ring
- 4 - Back-up ring
- 5 - Square ring (NBR), O-ring (FPM)



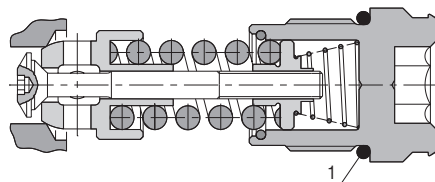
VPN1-06/S, VPN1-06/M



Pos. VPN1-06/S														
1+2+3	Seal Kit	Pos.	O-ring	Pcs	Pos.	Back-up ring	Pcs	Pos.	O-ring	Pcs	Ordering No.			
	NBR	1	19.4x2.1	1	2	14.73x17.43x1.14	2	3	14x1.78	1	22752700			
	FPM		19.4x2.1	1		14.73x17.43x1.14	2		14x1.78	1	31920800			
Pos. VPN1-06/SX, SY														
1 - 4	Seal Kit	Pos.	O-ring	Pcs	Pos.	Back-up ring	Pcs	Pos.	O-ring	Pcs	Pos.	Back-up ring	Pcs	Ordering No.
	NBR	1	21.95x1.78	1	2	14.73x17.43x1.14	2	3	14x1.78	1	4	22.68x25.38x1.14	1	22944000
	FPM		21.82x1.78	1		14.73x17.43x1.14	2		14x1.78	1		22.68x25.38x1.14	1	22943900
Pos. VPN1-06/M(R)														
5	Seal Kit	Pos.	Ring	Pcs	Ordering No.									
	NBR	5	Square ring 9.25x1.68	4	15650300									
	FPM		O-Ring 9.25x1.78	4	22944700									

Product (Datasheet): **DBV3 (5092)**

- 1 - O-ring



Position	DBV3	Pos.	O-ring	Pcs	Ordering No.
1	Seal				
	NBR	1	21.95x1.78	1	20146100
	FPM		21.95x1.78	1	30349500

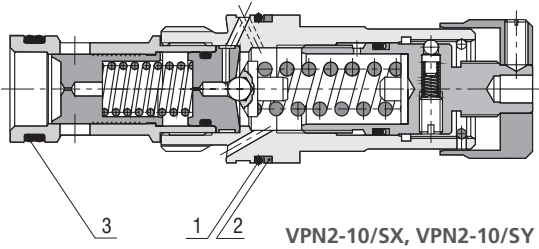
All dimensions are indicated in millimeters [mm].

3 Pressure Control Valves

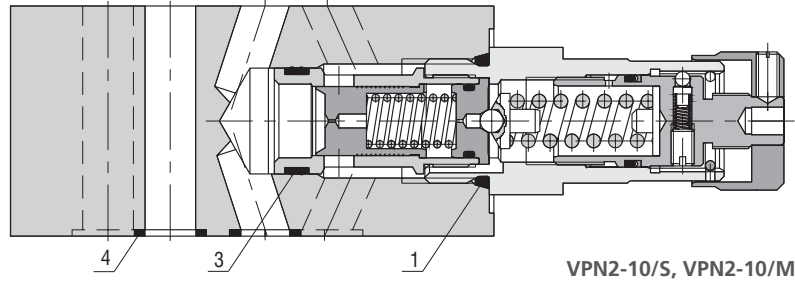
Product (Datasheet): **VPN2-10/S (5163), VPN2-10/M(R) (5164)**

Valve size 10

- 1 - O-ring
- 2 - Back-up ring
- 3 - Dualseal
- 4 - Square ring



VPN2-10/SX, VPN2-10/SY



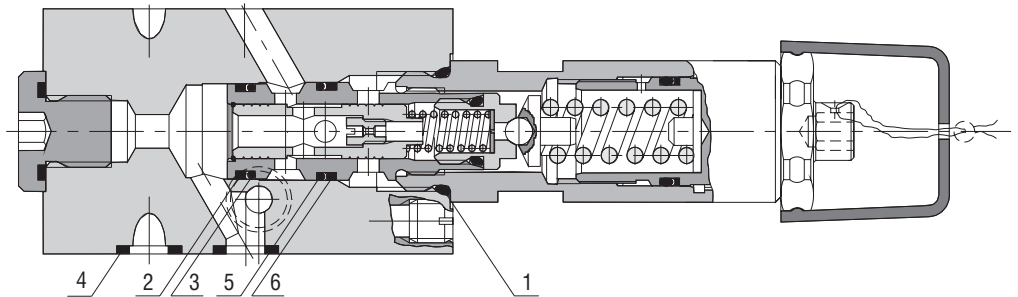
VPN2-10/S, VPN2-10/M

Pos. VPN2-10/S											
1+3	Seal Kit	Pos.	O-ring	Pcs			Pos.	Dualseal PU	Pcs	Ordering No.	
	NBR	1	23.47x2.95	1			3	19.6x23x4.4	1	15991500	
	FPM		23.47x2.95	1				19.6x23x4.4	1	22943400	
Pos. VPN2-10/SX, VPN2-10/SY											
1+2+3	Seal Kit	Pos.	O-ring	Pcs	Pos.	Back-up ring	Pcs	Pos.	Dualseal PU	Pcs	Ordering No.
	NBR	1	28.3x1.78	1	2	29.03x31.73x1.14	1	3	19.6x23x4.4	1	22943500
	FPM		28.3x1.78	1		29.03x31.73x1.14	1		19.6x23x4.4	1	22943600
Pos. VPN2-10/M											
4	Seal Kit							Pos.	Square ring	Pcs	Ordering No.
	NBR							4	12.42x1.68	5	15991600
	FPM								12.42x1.68	5	40066700

Product (Datasheet): **VRN2-06/S (5153), VRN2-06/M (5155), VRN2-10/S (5154), VRN2-10/M (5156)**

Valve size 06, 10

- 1 - O-ring
- 2 - Back-up ring
- 3 - O-ring
- 4 - Square ring, O-ring



Pos. VRN2-06/S, VRN2-06/M											
1+2+3	Seal Kit	Pos.	O-ring	Pcs	Pos.	Back-up ring	Pcs	Pos.	O-ring	Pcs	Ordering No.
	NBR	1	19.4x2.1	1	2	14.73x17.43x1.14	2	3	14x1.78	2	22752700
	FPM		19.4x2.1	1		14.73x17.43x1.14	2		14x1.78	2	31920800
Pos. VRN2-06/M											
4	Seal Kit				Pos.	Kroužek	Pcs				Ordering No.
	NBR				4	Square ring 9.25x1.68	4				15650300
	FPM					O-ring 9.25x1.78	4				22944700
Pos. VRN2-10/S, VRN2-10/M											
1 - 6	Seal Kit	Pos.	O-ring	Pcs	Pos.	Back-up ring	Pcs	Pos.	O-ring	Pcs	Ordering No.
	NBR	1	23.47x2.95	1	2	17.91x20.61x1.14	1	3	17x1,8	1	22916600
	NBR				5	19.51x22.21x1.14	1	6	18.77x1.78	1	
	FPM	1	23.47x2.95	1	2	17.91x20.61x1.14	1	3	17.17x1.78	1	22916700
	FPM				5	19.51x22.21x1.14	1	6	18.77x1.78	1	
Pos. VRN2-10/M											
4	Seal Kit				Pos.	Square ring	Pcs				Ordering No.
	NBR				4	12.42x1.68	5				15991600
	FPM					12.42x1.68	5				40066700

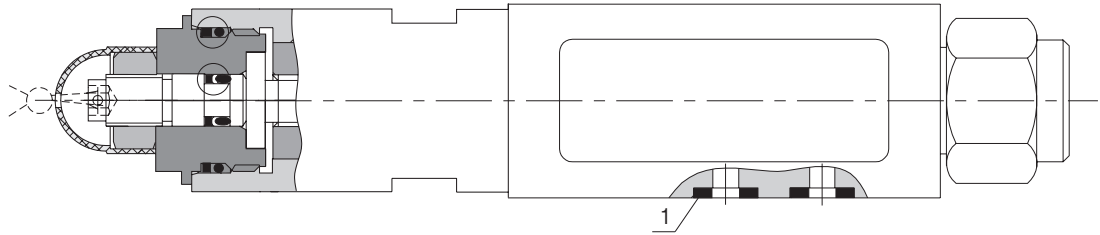
All dimensions are indicated in millimeters [mm].

3 Pressure Control Valves

Product (Datasheet): **VRP2-04 (5142), VRP2-06 (5145)**

Valve size 04, 06

1 - Square ring (NBR),
O-ring (FPM)

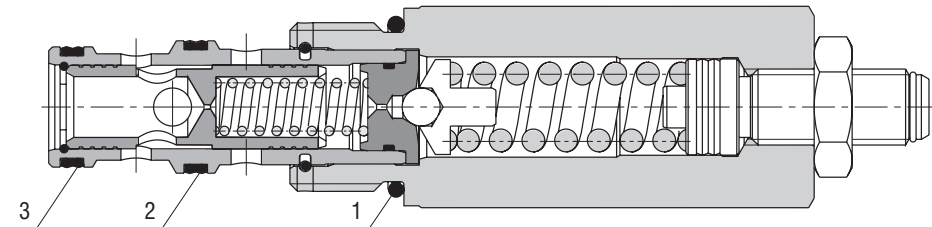


Position	VRP2-04		Pos.	Ring	Pcs	Ordering No.
1	Seal Kit		1	Square ring 7.65x1.68	4	20718400
	NBR			O-ring 7.65x1.78	4	22502600
	FPM					
Position	VRP2-06		Pos.	Ring	Pcs	Ordering No.
1	Seal Kit		1	Square ring 9.25x1.68	4	15650300
	NBR			O-ring 9.25x1.78	4	22944700
	FPM					

Product (Datasheet): **SS4A-A3 (5049), SP2A-A3 (5143), SP2A-B3 (5146), SP4A-B3 (5144), SS3A-BP3 (5047)**

Cavity A3, B3, BP3

1 - O-ring
2, 3 Dualseal

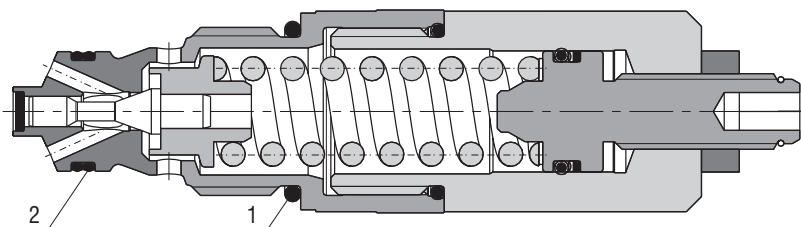


Position	SS4A-A3, SP2A-A3		Pos.	Dualseal PU	Pcs	Pos.	O-ring NBR	Pcs	Pos.	O-ring Viton - FPM	Pcs	Ordering No.
1+2+3	Seal Kit		3	11.87x14.27x3.1	1	1	17x1.8	1	-	-	-	15661700
	NBR		2	13.47x15.87x3.1	1							
	FPM		3	11.87x14.27x3.1	1	-	-	-	1	17.17x1.78	1	20777200
			2	13.47x15.87x3.1	1							
Position	SP2A-B3, SP4A-B3		Pos.	Dualseal PU	Pcs	Pos.	O-ring NBR	Pcs	Pos.	O-ring Viton - FPM	Pcs	Ordering No.
1+2+3	Seal Kit		3	13.47x15.87x3.1	1	1	19.4x2.1	1	-	-	-	18960700
	NBR		2	15.07x17.47x3.1	1							
	FPM		3	13.47x15.87x3.1	1	-	-	-	1	19.4x2.1	1	18960600
			2	15.07x17.47x3.1	1							
Position	SS3A-BP3		Pos.	Dualseal PU	Pcs	Pos.	O-ring NBR	Pcs	Pos.	O-ring Viton - FPM	Pcs	Ordering No.
1+2+3	Seal Kit		3	15.07x17.47x3.1	1	1	19.4x2.1	1	-	-	-	40771600
	NBR		2	16.65x19.05x3.1	1							
	FPM		3	15.07x17.47x3.1	1	-	-	-	1	19.4x2.1	1	40768400
			2	16.65x19.05x3.1	1							

Product (Datasheet): **SR1A-A2 (5063), SR1A-B2 (5064), SR1A-B2*CE1017 (5084), SR4A-B2 (5065), SR4E2-B2 (5068)**

Cavity A2, B2

1 - O-ring
2 - Dualseal



Position	SR1A-A2		Pos.	Dualseal PU	Pcs	Pos.	O-ring NBR	Pcs	Pos.	O-ring Viton - FPM	Pcs	Ordering No.
1+2	Seal Kit		2	10.3x12.7x3.1	1	1	17x1.8	1	-	-	-	20776700
	NBR											
	FPM		2	10.3x12.7x3.1	1	-	-	-	1	17.17x1.78	1	17014300
Position	SR1A-B2, SR1A-B2*CE1017, SR4A-B2, SR4E2-B2		Pos.	Dualseal PU	Pcs	Pos.	O-ring NBR	Pcs	Pos.	O-ring Viton - FPM	Pcs	Ordering No.
1+2	Seal Kit		2	13.47x15.87x3.1	1	1	19.4x2.1	1	-	-	-	18960400
	NBR											
	FPM		2	13.47x15.87x3.1	1	-	-	-	1	19.4x2.1	1	18960500

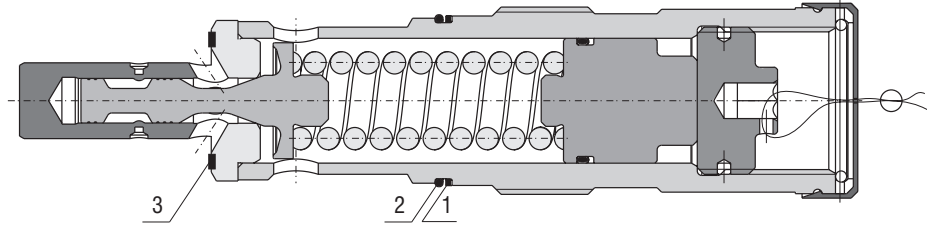
All dimensions are indicated in millimeters [mm].

3 Pressure Control Valves

Product (Datasheet): **VPP-R-16(25)** (5300), **VPP-R-16-xx-L-CE1017** (5095)

Valve size 16, 25

- 1 - Back-up ring
- 2 - O-ring
- 3 - Seal

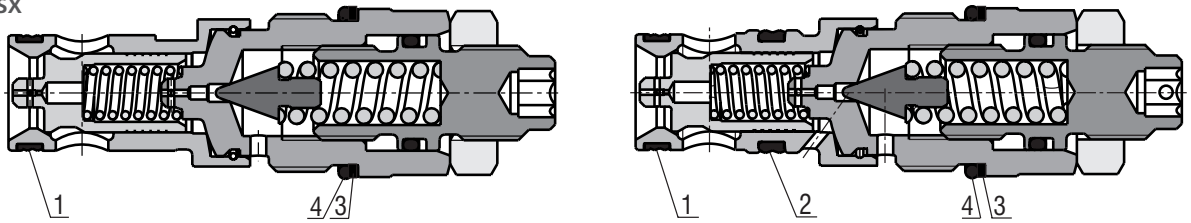


Position		VPP-R-16									
1+2	Seal Kit	Pos.	Back-up ring	Pcs	Pos.	O-ring NBR	Pcs				Ordering No.
	NBR	1	27.38x33.38x1.0 (PT)	1	2	26.57x3.53	1				34158400
	FPM		1	1					On request		
Position		VPP-R-25									
1+2	Seal Kit	Pos.	Back-up ring	Pcs	Pos.	O-ring NBR	Pcs				Ordering No.
	NBR	1	35.38x38.08x1.14	1	2	34.65x1.78	1				40124600
	FPM		1	1					On request		
Position		VPP-R-16-xx-L-CE1017									
1+2+3	Seal Kit	Pos.	Back-up ring	Pcs	Pos.	O-ring NBR	Pcs	Pos.	Seal HTR 24	Pcs	Ordering No.
	NBR	1	27.38x33.38x1.0 (PT)	1	2	26.57x3.53	1	3	HTR 24	1	34158400
	FPM								1	1	On request

Product (Datasheet): **VPN1-20** (5159)

Cavity S, SY and SX

- 1 - Dual-Seal
- 2 - Dual-Seal
- 3 - Back-up ring
- 4 - O-ring



Position		VPN1-20 (S, SY)												
1+3+4	Seal Kit	Pos.	Dual-Seal	Pcs				Pos.	Back-up ring	Pcs	Pos.	O-ring NBR	Pcs	Ordering No.
	NBR	1	19.62x22.22x3.8	1				3	27.46x31.82x1.14	1	4	26.64x2.62	1	40709600
	FPM													
Position		VPN1-20 (SX)												
1+2+3+4	Seal Kit	Pos.	Dual-Seal	Pcs	Pos.	Dual-Seal	Pcs	Pos.	Back-up ring	Pcs	Pos.	O-ring NBR	Pcs	Ordering No.
	NBR	1	19.62x22.22x3.8	1	2	19.6x23x4.4	1	3	27.46x31.82x1.14	1	4	26.64x2.62	1	40714300
	FPM													

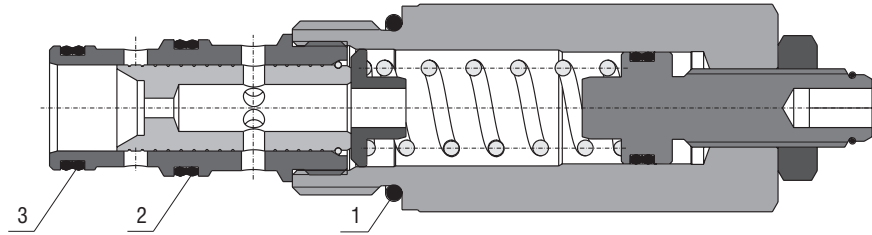
All dimensions are indicated in millimeters [mm].

4 Flow Control Valves

Product (Datasheet): **SF22A-A2/H (5060), SF22A-B2/H (5067), SF32A-B3/H (5070), ST2C1A-A2 (5133), ST21A-B2 (5134)**

Cavity A2, B2, B3

- 1 - O-ring
- 2 - Dualseal
- 3 - Dualseal

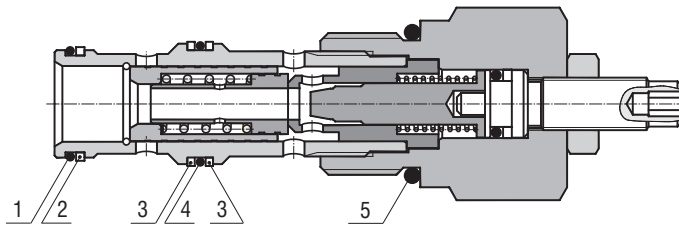


Position		SF22A-A2/H, ST2C1A-A2										
1+3	Seal Kit	Pos.	Dualseal PU	Pcs	Pos.	O-ring NBR	Pcs	Pos.	O-ring Viton - FPM	Pcs	Ordering No.	
	NBR	3	10.3x12.7x3.1	1	1	17x1.8	1	-	-	-	20776700	
	FPM	3	10.3x12.7x3.1	1	-	-	-	1	17.17x1.78	1	17014300	
Position		SF22A-B2/H, ST21A-B2										
1+3	Seal Kit	Pos.	Dualseal PU	Pcs	Pos.	O-ring NBR	Pcs	Pos.	O-ring Viton - FPM	Pcs	Ordering No.	
	NBR	3	13.47x15.87x3.1	1	1	19.4x2.1	1	-	-	-	18960400	
	FPM	3	13.47x15.87x3.1	1	-	-	-	1	19.4x2.1	1	18960500	
Position		SF32A-B3/H										
1+2+3	Seal Kit	Pos.	Dualseal PU	Pcs	Pos.	Dualseal PU	Pcs	Pos.	O-ring	Pcs	Ordering No.	
	NBR	3	13.47x15.87x3.1	1	2	15.07x17.47x3.1	1	1	19.4x2.1 (NBR)	1	18960700	
	FPM	3	13.47x15.87x3.1	1	2	15.07x17.47x3.1	1	1	19.4x2.1 (FPM)	1	18960600	

Product (Datasheet): **SF2C2A-K2/I (5236), SF32A-K3/I (5227)**

Cavity K2, K3

- 1 - O-ring
- 2 - Back-up ring
- 3 - Back-up ring
- 4 - O-ring
- 5 - O-ring

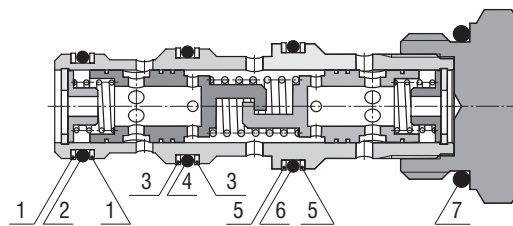


Position		SF2C2A-K2/I										
1+2+5	Seal Kit	Pos.	O-ring	Pcs	Pos.	Back-up ring	Pcs					Ordering No.
		1, 5		1	2		1					On request
Position		SF32A-K3/I										
1+2+3+4+5	Seal Kit	Pos.	O-ring	Pcs	Pos.	Back-up ring	Pcs	Pos.	Back-up ring	Pcs	Ordering No.	
		1, 4, 5		1	2		1	3		2	On request	

Product (Datasheet): **SFD2F-B4/I (5234), SFD2F-D4/I (5235)**

Cavity B4, D4

- 1 - Back-up ring
- 2 - O-ring
- 3 - Back-up ring
- 4 - O-ring
- 5 - Back-up ring
- 6 - O-ring
- 7 - O-ring



Position		SFD2F-B4/I, SFD2F-D4/I											
1+2+3+4+5+6+7	Seal Kit	Pos.	O-ring				Pcs	Pos.	Back-up ring			Pcs	Ordering No.
		2, 4, 6, 7					1	1, 3, 5				2	On request

All dimensions are indicated in millimeters [mm].

4 Flow Control Valves

Product (Datasheet): **VSK (5121), VSO1-04/R (5054)**

VSK Replacement seals for VSK valve is not offered!
VSO1-04/R Replacement seals for VSO1-04/R valve is not offered!

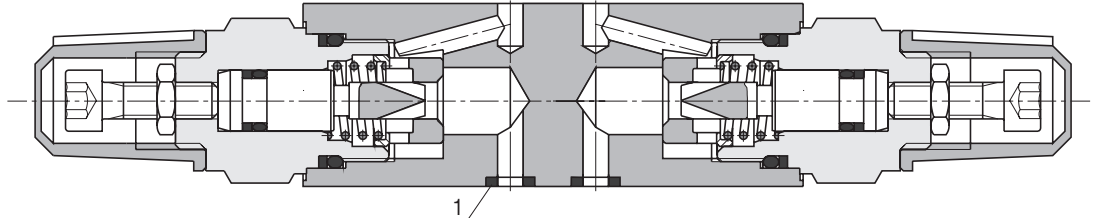
Product (Datasheet): **VSO1-04/M (5053)**

Product (Datasheet): **2V53-06 (5051), VSS1-206 (5032), VSS1-306 (5033), VSS2-206 (5041)**

Product (Datasheet): **VSO2-10/M (5056), VSO3-10/M (5076)**

Valve 04, 06, 10

1 - Square ring (NBR),
O-ring (FPM)

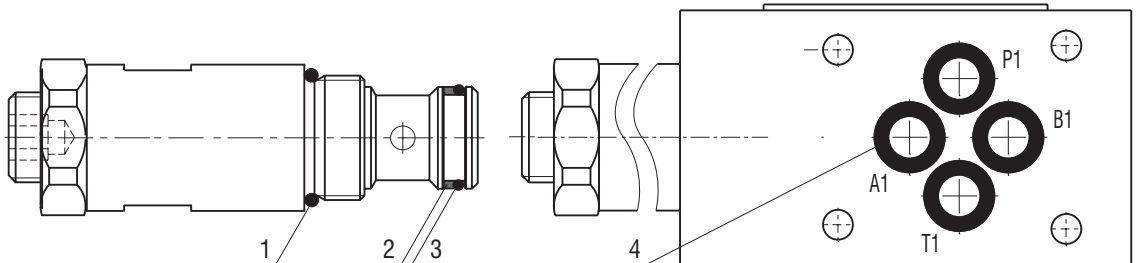


Position		VSO1-04/M							
1	Seal Kit	Pos.	Ring	Pcs					Ordering No.
	NBR	1	Square ring 7.65x1.68	4					20718400
	FPM		O-ring 7.65x1.78	4					22502600
Position		2V53-06, VSS1-206, VSS1-306, VSS2-206							
1	Seal Kit	Pos.	Ring	Pcs					Ordering No.
	NBR	1	Square ring 9.25x1.68	4					15650300
	FPM		O-ring 9.25x1.78	4					22944700
Position		VSO2-10/M, VSO3-10/M							
1	Seal Kit	Pos.	Square ring	Pcs					Ordering No.
	NBR	1	12.42x1.68	5					15991600
	FPM		12.42x1.68	5					40066700

Product (Datasheet): **VSS3-062/S (5057), VSS3-062/M (5050)**

Valve 06

1 - O-ring
2 - Back-up ring
3 - O-ring
4 - Square ring (NBR),
O-ring (FPM)



Pos.		VSS3-062/S, VSS3-062/M										
1-3	Seal Kit	Pos.	O-ring	Pcs	Pos.	Back-up ring (PT)	Pcs	Pos.	O-ring	Pcs		Ordering No.
	NBR	1	19.4x2.1	1	2	14.73x17.43x1.14	1	3	14x1.78	1		15650200
	FPM		19.4x2.1	1		14.73x17.43x1.14	1		14x1.78	1		16954700
Pos.		VSS3-062/M										
4	Seal Kit							Pos.	Ring	Pcs		Ordering No.
	NBR							4	Square ring 9.25x1.68	4		15650300
	FPM								O-ring 9.25x1.78	4		22944700

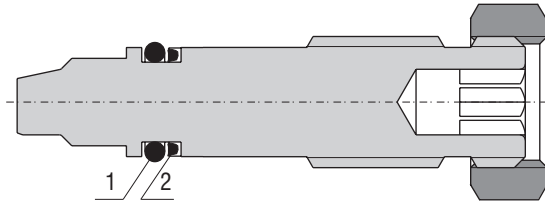
All dimensions are indicated in millimeters [mm].

4 Flow Control Valves

Product (Datasheet): **VSV2 (5132)**

Cavity QC2

- 1 - O-ring
- 2 - Back-up ring



Pos.		VSV2-1, VSV2-J1, VSV2-J2						
1, 2	Seal Kit	Pos.	O-ring	Pcs	Pos.	Back-up ring	Pcs	Ordering No.
	NBR	1	6.9x1.8	1	2	6.73x9.43x1.14	1	40125400
	FPM		6.9x1.8	1		6.73x9.43x1.14	1	40125300

All dimensions are indicated in millimeters [mm].

5 Overcentre Valves

Product (Datasheet): **SO5A-BP3 (5199), SO5A-CP3 (5194), SOB5A-BP3 (5197), SOB5A-CP3 (5195)**

Cavity BP3, CP3

1, 2, 3, 4 - těsnění

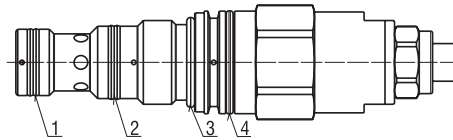


Pos.	SO5A-BP3													
1-3	Seal Kit	Pos.	Dual-Seal PU	Pcs	Pos.	Dual-Seal PU	Pcs	Pos.	O-ring	Pcs	Pos.	O-ring	Pcs	Ordering No.
	NBR	1	15.07x17x47x3.1	1	2	16.65x19.05x3.1	1	3	19.4x2.1 NBR70	1				40771600
	FPM		15.07x17x47x3.1	1		16.65x19.05x3.1	1		19.4x2.1 V80	1				40768400
1-3	SO5A-CP3													
	NBR	1	19.62x22.22x3.8	1	2	21.2x23.8x3.8	1	3	24x2.5 NBR90	1				41676200
	FPM		19.62x22.22x3.8	1		21.2x23.8x3.8	1		24x2.5 V90	1				41676500
1-4	SOB5A-BP3 (with vent sealing)													
	NBR	1	15.07x17x47x3.1	1	2	16.65x19.05x3.1	1	3	19.4x2.1 NBR70	1	4	23x47x2.62 NBR70	1	40771800
	FPM		15.07x17x47x3.1	1		16.65x19.05x3.1	1		19.4x2.1 V80	1		23x47x2.62 V80	1	40771700
1-4	SOB5A-CP3 (with vent sealing)													
	NBR	1	19.62x22.22x3.8	1	2	21.2x23.8x3.8	1	3	24x2.5 NBR90	1	4	26.64x2.62 NBR70	1	42749400
	FPM		19.62x22.22x3.8	1		21.2x23.8x3.8	1		24x2.5 V90	1		26.64x2.62 V80	1	42749600

Product (Datasheet): **SOBD5A-BPY3 (5198), SOBD5A-CPY3 (5196)**

Cavity BPY3, CPY3

1, 2, 3, 4 - těsnění



Pos.	SOBD5A-BPY3													
1-4	Seal Kit	Pos.	Dual-Seal PU	Pcs	Pos.	Dual-Seal PU	Pcs	Pos.	O-ring	Pcs	Pos.	O-ring	Pcs	Ordering No.
	NBR	1	15.07x17x47x3.1	1	2	16.65x19.05x3.1	1	3	19.4x2.1 NBR70	1	4	23.52x1.78 NBR90	1	40772200
	FPM		15.07x17x47x3.1	1		16.65x19.05x3.1	1		19.4x2.1 V80	1		23.53x1.78 V80	1	40772100
1-4	SOBD5A-CPY3													
	NBR	1	19.62x22.22x3.8	1	2	21.2x23.8x3.8	1	3	24x2.5 NBR90	1	4	28.3x1.78 NBR90	1	41676700
	FPM		19.62x22.22x3.8	1		21.2x23.8x3.8	1		24x2.5 V90	1		28.3x1.78 V80	1	41676800

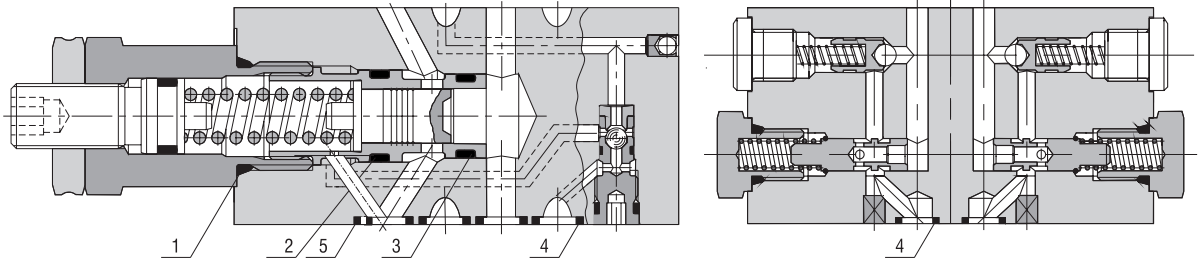
All dimensions are indicated in millimeters [mm].

6 Proportional Valves

Product (Datasheet): **TV2-063/S (5158), TV2-062/M (5166), TV2-063/M (5168) TV2-042/M (5167), TV2-043/M (5188)**

Valve size 04, 06

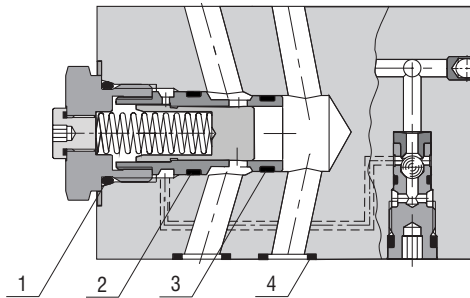
- 1 - O-ring
- 2 - Dualseal
- 3 - Dualseal
- 4 - Square ring
O-ring
- 5 - O-ring



Pos.	TV2-063/S										Ordering No.
1+2+3	Seal Kit	Pos.	O-ring	Pcs	Pos.	Dualseal PU	Pcs	Pos.	Dualseal PU	Pcs	
	NBR	1	18x2	1	2	14.6x17x3.4	1	3	13.1x15.5x3.4	1	40125600
	FPM		18x2	1		14.6x17x3.4	1		13.1x15.5x3.4	1	34312500
Pos.	TV2-062/M*, TV2-062/MCX, TV2-063/M*										Ordering No.
4	Seal Kit							Pos.	Ring	Pcs	
	NBR							4	Square ring 9.25x1.68	4	15650300
	FPM								O-ring 9.25x1.78	4	22944700
Pos.	TV2-062/MCX										Ordering No.
5	NBR							5	O-ring 5.28x1.68	1	20161600
Pos.	TV2-042/M, TV2-043/M										Ordering No.
4	Seal Kit							Pos.	Ring	Pcs	
	NBR							4	Square ring 7.65x1.68	4	20718400
	FPM								O-ring 7.5x1.8	4	17246100

Product (Datasheet): **TV2-102/S (5179), TV2-103/S (5180), TV2-102/M (5169), TV2-103/M (5170)**

Valve size 10

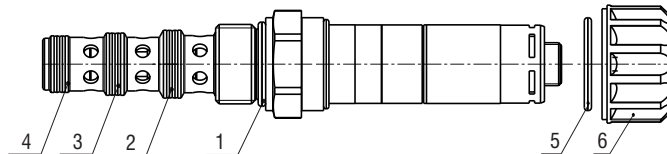


Pos.	TV2-102/S, TV2-103/S										Ordering No.
1+2+3	Seal Kit	Pos.	O-ring	Pcs	Pos.	Dualseal PU	Pcs	Pos.	Dualseal PU	Pcs	
	NBR	1	23.47x2.95	1	2	20.6x23x3.4	1	3	18.6x21x3.6	1	16755901
	FPM		23.47x2.95	1		20.6x23x3.4	1		18.6x21x3.6	1	40125900
Pos.	TV2-102/M, TV2-103/M										Ordering No.
4	Seal Kit							Pos.	Square ring	Pcs	
	NBR							4	12.42x1.68	5	15991600
	FPM								12.42x1.68	5	40066700

Product (Datasheet): **SD2P-B4 (5149)**

Cavity B4 7/8-14 UNF

- 1 - O-ring
- 2, 3, 4 - Dualseal
- 5 - O-ring
- 6 - Retaining nut



Position	SD2P-B4/H										Ordering No.
1+2+3+4	Seal Kit	Pos.	Dualseal PU	Pcs	Pos.	O-ring NBR	Pcs	Pos.	O-ring Viton - FPM	Pcs	
	NBR	4	13.47x15.87x3.1	1	1	19.4x2.1	1	-	-	-	18960800
		3	15.07x17.47x3.1	1							
		2	16.65x19.05x3.1	1							
	FPM	4	13.47x15.87x3.1	1	-	-	-	1	19.4x2.1	1	18960900
		3	15.07x17.47x3.1	1							
		2	16.65x19.05x3.1	1							
5+6	Nut Kit	Pos.	O-ring	Pcs	Pos.	Retaining nut	Pcs				
		5	22x2	1	6	Plastic	1				15844600

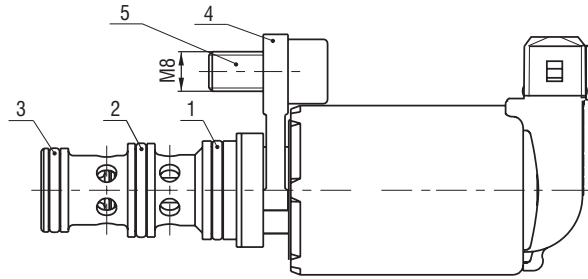
All dimensions are indicated in millimeters [mm].

6 Proportional Valves

Product (Datasheet): **PP2P1-W3 (5125), PP2P3-W3 (5147)**

Cavity W3

- 1, 2, 3 - O-ring
- 4 - Fork Slip-In M8
- 5 - Bolt M8x16 (ISO 4762)

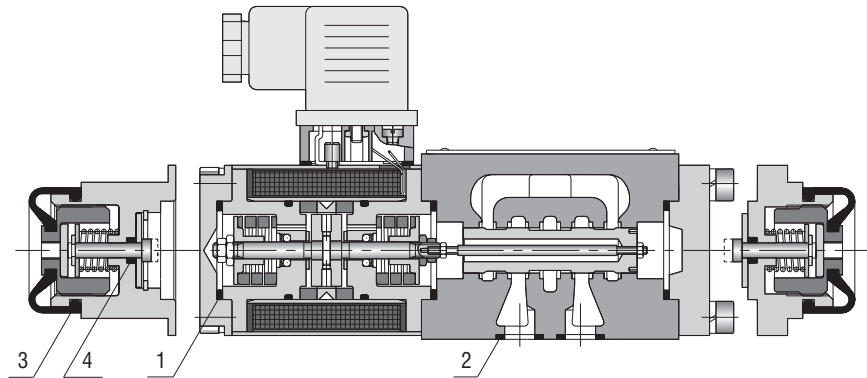


Position	PP2P1-W3, PP2P3-W3											
1+2+3	Seal Kit	Pos.	O-ring	Pcs	Pos.	O-ring	Pcs	Pos.	O-ring	Pcs	Ordering No.	
	NBR	3	14x1.78	1	2	16x1.8	1	1	17x1.8	1	16961300	
	FPM	3	14x1.78	1	2	16x1.8	1	1	17x1.8	1	On request	
4+5	Kit - Fork+Bolt M8	Pos.		Pcs	Pos.		Pcs				Ordering No.	
		4	Fork SLIP-IN M8	1	5	Bolt M8x16 Zn / PO-A	1				16961500	

Product (Datasheet): **PRL1 (5101)**

Size 06

- 1 - O-ring
- 2 - Square ring (NBR)
- 3 - Rubber boot
- 4 - O-ring

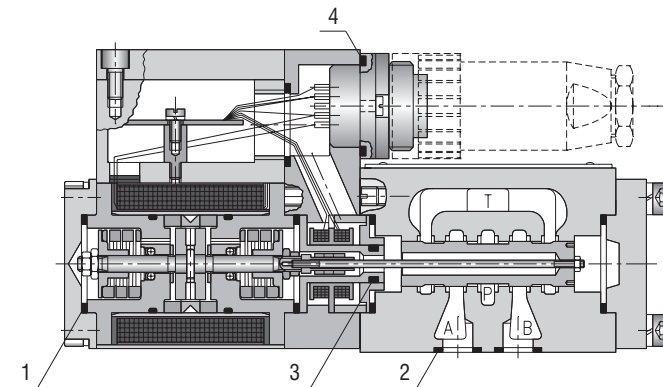


Position	PRL1* without manual override													
1+2	Seal Kit	Pos.	O-ring	Pcs	Pos.	Ring	Pcs				Ordering No.			
	NBR	1	22x2	3	2	Square ring 9.25x1.68	4				23043600			
	FPM	1		3	2		4				On request			
Position	PRL1*N													
1+2+3+4	Seal Kit	Pos.	O-ring	Pcs	Pos.	Ring	Pcs	Pos.	Manual override	Pcs	Pos.	O-ring	Pcs	Ordering No.
	NBR	1	22x2	3	2	Square ring 9.25x1.68	4	3	Rubber boot	1	4	4x1.75	1	23043700
	FPM	1		3	2		4	3		1	4		1	On request
Position	PRL1*NN													
1+2+3+4	Seal Kit	Pos.	O-ring	Pcs	Pos.	Ring	Pcs	Pos.	Manual override	Pcs	Pos.	O-ring	Pcs	Ordering No.
	NBR	1	22x2	3	2	Square ring 9.25x1.68	4	3	Rubber boot	2	4	4x1.75	2	23043800
	FPM	1		3	2		4	3		2	4		2	On request

Product (Datasheet): **PRL2 (5103)**

Size 06

- 1 - O-ring
- 2 - Square ring (NBR)
- 3, 4 - O-ring



All dimensions are indicated in millimeters [mm].

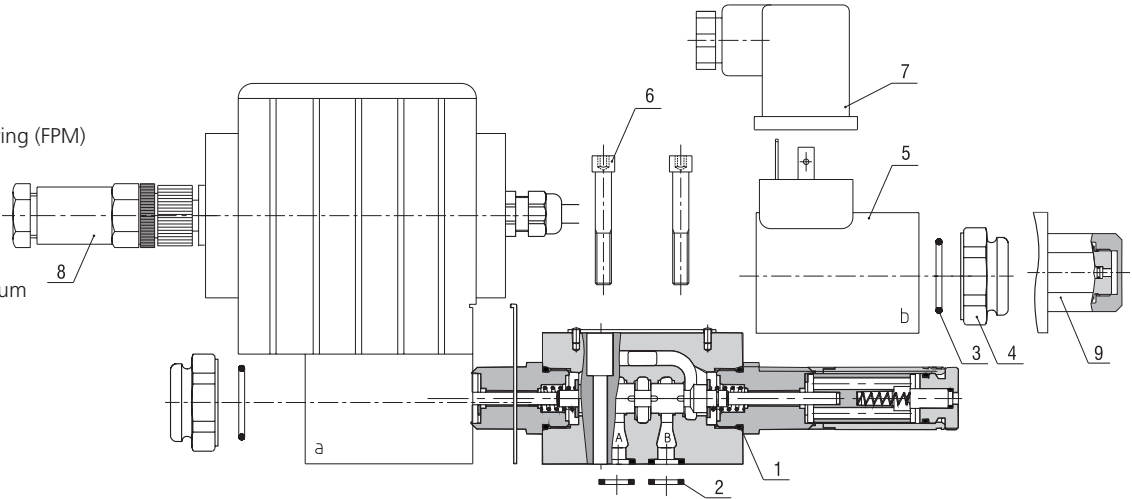
Position	PRL2* without manual override													
1+2+3+4	Seal Kit	Pos.	O-ring	Pcs	Pos.	Ring	Pcs	Pos.	O-ring	Pcs	Pos.	O-ring	Pcs	Ordering No.
	NBR	1	22x2	4	2	Square ring 9.25x1.68	4	3	6x2	1	4	18x2	1	23043900
	FPM	1		4	2		4	3		1	4		1	On request

6 Proportional Valves

Product (Datasheet): **PRM2-04 (5105), PRM2-06 (5104), PRM6-10 (5115)**

Size **04, 06, 10**

- 1 - O-ring
- 2 - Square ring (NBR), O-ring (FPM)
- 3 - O-ring
- 4 - Retaining nut Plastic
- 5 - Solenoid coil
- 6 - Mounting bolt
- 7, 8 - Connector
- 9 - Retaining nut Aluminium



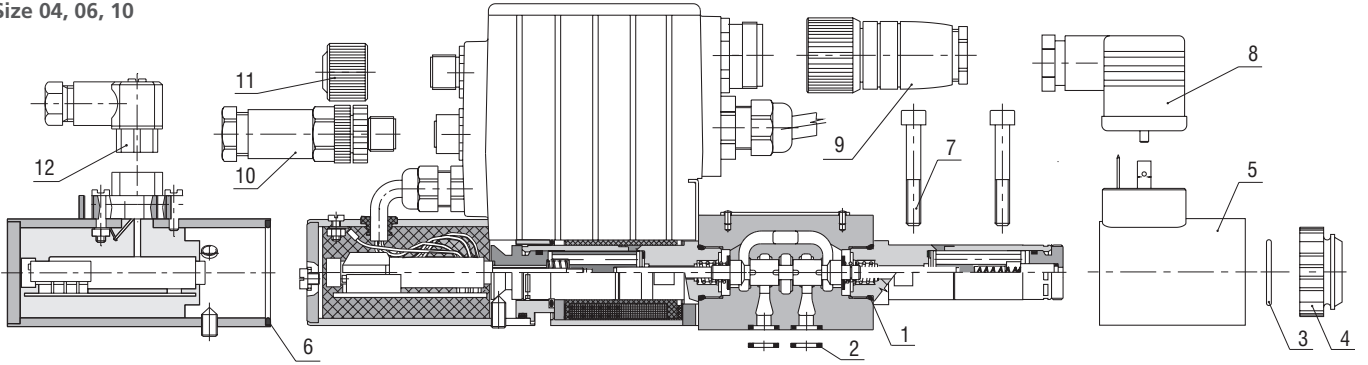
Position		PRM2-04					
1+2	Seal Kit	Pos.	O-ring	Pcs	Pos.	Ring	Pcs Ordering No.
	NBR	1	16x2	2	2	Square ring 7.65x1.68	4 15873800
	FPM		16x2	2		O-ring 7.5x1.8	4 15874400
3+4	Nut Kit	Pos.	O-ring	Pcs	Pos.	Retaining nut	Pcs Ordering No.
		3	18x1.5	1	4	Plastic	1 15874500
5	Solenoid Coil Kit	Pos.					Pcs Ordering No.
		5	Nominal supply voltage 12 V				1 27821900
			Nominal supply voltage 24 V				1 27824200
6	Bolt Kit	Pos.	Mounting bolt				Pcs Ordering No.
		6	Bolt M5x35				4 15874600
Position		PRM2-06					
1+2	Seal Kit	Pos.	O-ring	Pcs	Pos.	Ring	Pcs Ordering No.
	NBR	1	17x1.8	2	2	Square ring 9.25x1.68	4 15845200
	FPM		17.17x1.78	2		O-ring 9.25x1.78	4 15845400
3+4	Nut Kit	Pos.	O-ring	Pcs	Pos.	Retaining nut	Pcs Ordering No.
		3	22x2	1	4	Plastic	1 15844600
5	Solenoid Coil Kit	Pos.					Pcs Ordering No.
		5	Nominal supply voltage 12 V				1 18838500
			Nominal supply voltage 12 V (1.6 A) for 12 V electronic unit integrated				1 16187500
			Nominal supply voltage 24 V				1 18838300
6	Bolt Kit	Pos.	Mounting bolt				Pcs Ordering No.
		6	M5x45				4 15845100
Position		PRM6-10					
1+2	Seal Kit	Pos.	O-ring	Pcs	Pos.	Square ring	Pcs Ordering No.
	NBR	1	23.81x2.62	2	2	12.42x1.68	5 23114300
	FPM		23.47x2.62	2		12.42x1.68	5 23114400
3+4	Nut Kit	Pos.	O-ring	Pcs	Pos.	Retaining nut	Pcs Ordering No.
	Standard, N2	3	30x2	1	4	Plastic	1 15900800
3+9	Nut Kit	Pos.	O-ring	Pcs	Pos.	Retaining nut	Pcs Ordering No.
	N1	3	30x2	1	4	Aluminium	1 45332300
5	Solenoid Coil Kit	Pos.					Pcs Ordering No.
		5	Nominal supply voltage 12 V				1 16195800
			Nominal supply voltage 24 V				1 16196200
6	Bolt Kit	Pos.	Mounting bolt				Pcs Ordering No.
		6	M6x45				4 20239000
Position		PRM2-04, PRM2-06, PRM6-10					
7	Connector	Pos.	Type K1 without rectifier M16x1.5 bushing bore Ø 6-8 mm (0.24-0.32 in)				Pcs Ordering No.
	to EN 175301-803	7	Maximum input voltage 250 V AC/DC		Connector plug	G gray B black	1 16202200 1 16202100
8	Connector	Pos.					Pcs Ordering No.
		8	M12x1 (4-pin connector)				1 15634200

All dimensions are indicated in millimeters [mm].

6 Proportional Valves

Product (Datasheet): **PRM7-04 (5120), PRM7-06 (5119), PRM7-10 (5116)**

Size **04, 06, 10**



- 1 - O-ring
- 2 - Square ring (NBR), O-ring (FPM)
- 3 - O-ring
- 4 - Retaining nut
- 5 - Solenoid coil
- 6 - Mounting bolt
- 7 - Mounting bolt
- 8, 9, 10 - Connector
- 11 - Cover of connector
- 12 - Connector

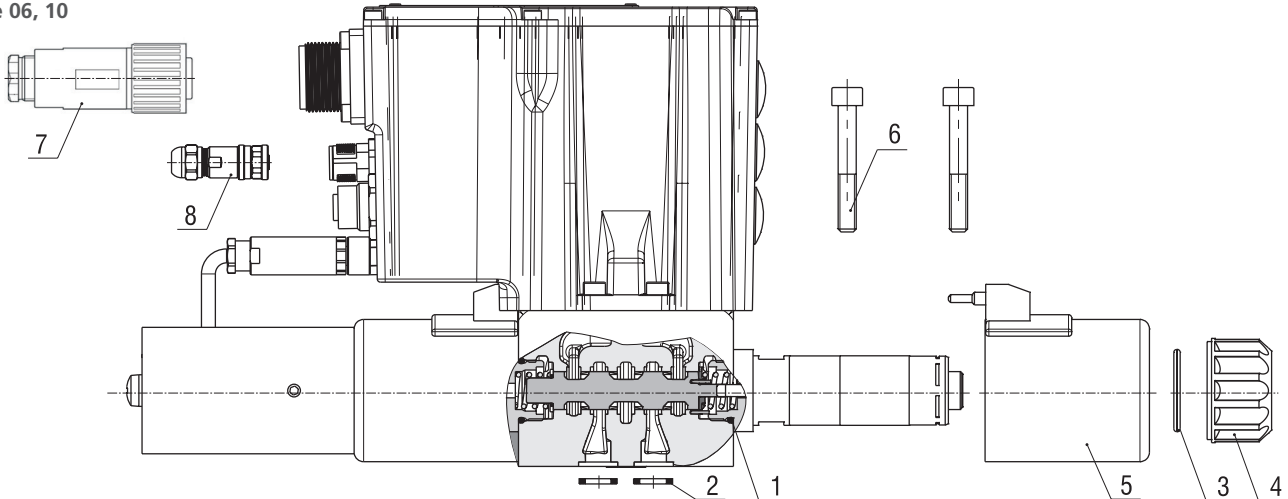
All dimensions are indicated in millimeters [mm].

Position PRM7-04										
1+2	Seal Kit	Pos.	O-ring	Pcs	Pos.	Ring	Pcs	Ordering No.		
	NBR	1	16x2	2	2	Square ring 7.65x1.68	4	15873800		
	FPM		16x2		2	O-ring 7.5x1.8	4	15874400		
3+4	Nut Kit	Pos.	O-ring	Pcs	Pos.	Retaining nut	Pcs	Ordering No.		
		3	18x1.5	1	4	Plastic	1	15874500		
5	Solenoid Coil Kit	Pos.						Pcs	Ordering No.	
		5	Nominal supply voltage 12 V					1	27821900	
			Nominal supply voltage 24 V					1	27824200	
6	Seal	Pos.	O-ring				Pcs	Ordering No.		
		6	28x2				1	15605600		
7	Bolt Kit	Pos.	Mounting bolt				Pcs	Ordering No.		
		7	Bolt M5x35				4	15874600		
Position PRM7-06										
1+2	Seal Kit	Pos.	O-ring	Pcs	Pos.	Ring	Pcs	Ordering No.		
	NBR	1	17x1.8	2	2	Square ring 9.25x1.68	4	15845200		
	FPM		17.17x1.78		2	O-ring 9.25x1.78	4	15845400		
3+4	Nut Kit	Pos.	O-ring	Pcs	Pos.	Retaining nut	Pcs	Ordering No.		
		3	22x2	1	4	Plastic	1	15844600		
5	Solenoid Coil Kit	Pos.						Pcs	Ordering No.	
		5	Nominal supply voltage 12 V					1	18838500	
			Nominal supply voltage 12 V (1.6 A) for 12 V electronic unit integrated					1	16187500	
			Nominal supply voltage 24 V					1	18838300	
6	Seal	Pos.	O-ring				Pcs	Ordering No.		
		6	32x2				1	15606000		
7	Bolt Kit	Pos.	Mounting bolt				Pcs	Ordering No.		
		7	M5x45				4	15845100		
Position PRM7-10										
1+2	Seal Kit	Pos.	O-ring	Pcs	Pos.	Square ring	Pcs	Ordering No.		
	NBR	1	23.81x2.62	2	2	12.42x1.68	5	23114300		
	FPM		23.47x2.62		2	12.42x1.68	5	23114400		
3+4	Nut Kit	Pos.	O-ring	Pcs	Pos.	Retaining nut	Pcs	Ordering No.		
		3	30x2	1	4	Plastic	1	15900800		
5	Solenoid Coil Kit	Pos.						Pcs	Ordering No.	
		5	Nominal supply voltage 12 V					1	16195800	
			Nominal supply voltage 24 V					1	16196200	
6	Seal	Pos.	O-ring				Pcs	Ordering No.		
		6	32x2				1	15606000		
7	Bolt Kit	Pos.	Mounting bolt				Pcs	Ordering No.		
		7	M6x45				4	20239000		
Position PRM7-04, PRM7-06, PRM7-10										
8	Connector	Pos.	Type K1 without rectifier M16x1.5 bushing bore Ø 6-8 mm (0.24-0.32 in)					Pcs	Ordering No.	
	to EN 175301-803	8	Maximum input voltage 250 V AC/DC		Connector plug	G gray	1	16202200		
						B black	1	16202100		
9	Connector	Pos.	M23-7PIN-FEMALE - connector (female)					Pcs	Ordering No.	
		9						1	17508300	
10	Connector	Pos.	M12x1-5PIN-MALE - connector (male), only for E03 and E04S01 configurations					Pcs	Ordering No.	
		10						1	17661100	
11	Cover of connector	Pos.	M12x1					Pcs	Ordering No.	
		11						1	23090600	
12	Connector	Pos.	G4W1FSW					Pcs	Ordering No.	
		12						1	20607000	

6 Proportional Valves

Product (Datasheet): **PRM9-06 (5129), PRM9-10 (5130)**

Size 06, 10



- 1 - O-ring
- 2 - Square ring (NBR), O-ring (FPM)
- 3 - O-ring
- 4 - Retaining nut
- 5 - Solenoid coil
- 6 - Mounting bolt
- 7, 8, 9 - Connector

All dimensions are indicated in millimeters [mm].

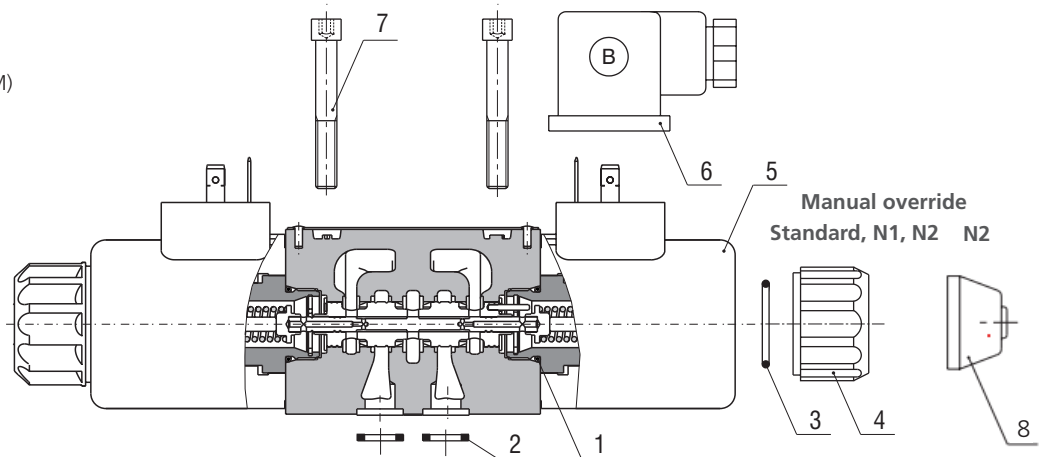
Position		PRM9-06							
1+2	Seal Kit	Pos.	O-ring	Pcs	Pos.	Ring		Pcs	Ordering No.
	NBR	1	17x1.8	2	2	Square ring 9.25x1.68		4	15845200
	FPM		17.17x1.78	2		O-ring 9.25x1.78		4	15845400
3+4	Nut Kit	Pos.	O-ring	Pcs	Pos.	Retaining nut		Pcs	Ordering No.
		3	22x2	1	4	Plastic		1	15844600
5	Solenoid Coil Kit	Pos.						Pcs	Ordering No.
		5	Nominal supply voltage 24 V					1	31800900
6	Bolt Kit	Pos.	Mounting bolt					Pcs	Ordering No.
		6	M5x45					4	15845100
Position		PRM9-10							
1+2	Seal Kit	Pos.	O-ring	Pcs	Pos.	Square ring		Pcs	Ordering No.
	NBR	1	23.81x2.62	2	2	12.42x1.68		5	23114300
	FPM		23.47x2.62	2		12.42x1.68		5	23114400
3+4	Nut Kit	Pos.	O-ring	Pcs	Pos.	Retaining nut		Pcs	Ordering No.
		3	30x2	1	4	Plastic		1	15900800
5	Solenoid Coil Kit	Pos.						Pcs	Ordering No.
		5	Nominal supply voltage 24 V					1	32083700
6	Bolt Kit	Pos.	Mounting bolt					Pcs	Ordering No.
		6	M6x45					4	20239000
Position		PRM9-06, PRM9-10							
7	Connector	Pos.						Pcs	Ordering No.
		7	CM06EA14S-61S - Main supply connector +PE MIL (EN 175201-804)					1	40375000
8	Connector	Pos.						Pcs	Ordering No.
		8	M12x1-5PIN-FEMALE-CAN - plug (5-pol, A-Code), CANopen (optional)					1	33997300

6 Proportional Valves

Product (Datasheet): **PRM8-06 (5178), PRM8-10 (5253)**

Size 06

- 1 - O-ring
- 2 - Square ring (NBR), O-ring (FPM)
- 3 - O-ring
- 4 - Retaining nut
- 5 - Solenoid coil
- 6 - Connector
- 7 - Mounting bolt
- 8 - Rubber boot + Actuating pin

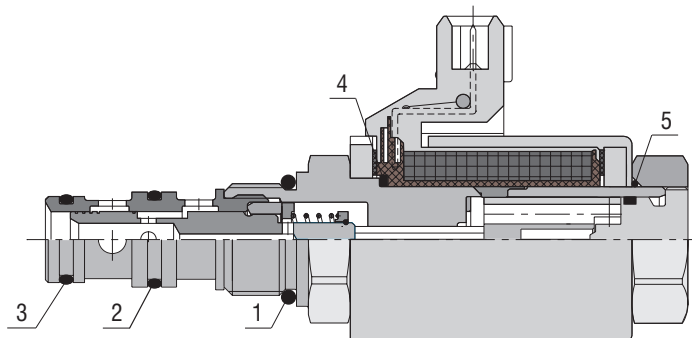


Position		PRM8-06															
1+2	Seal Kit	Pos.	O-ring	Pcs	Pos.	Ring										Pcs	Ordering No.
	NBR	1	17x1,8	2	2	Square ring 9,25x1,68										4	15845200
	FPM		17,17x1,78	2			O-ring 9,25x1,78										
7	Nut Kit	Pos.	Retaining nut													Pcs	Ordering No.
		7	M5x30													4	40101700
Position		PRM8-10															
1+2	Seal Kit	Pos.	O-ring	Pcs	Pos.	Ring										Pcs	Ordering No.
	NBR	1	23,81x2,62	2	2	12,42x1,68										5	23114300
	FPM		23,47x2,62	2			12,42x1,68										
7	Bolt Kit	Pos.														Pcs	Ordering No.
Mounting	bolt for steel plates	7	bolt M6x45			(for studs see Datasheet 0020)										4	20239000
Position		PRM8-06, PRM8-10															
5	Solenoid coil	Pos.	E1			E3A					E12					E13	
	Nominal supply voltage	Pos.	Ordering No. (1pc)														
	12 V	5	18838500			19744700					19696100					19909300	
	24 V		18838300			19744300					19696200					30691600	
6	Connector	Pos.	Type K1 without rectifier M16x1.5 bushing bore Ø 6-8 mm (0.24-0.32 in)										Pcs	Ordering No.			
	acc. to EN 175301-803	6	Maximum input voltage 250 V AC/DC			Connector plug		G gray			B black			1	16202200		
														1	16202100		
3+4	Nut Kit	Pos.	O-ring	Pcs	Pos.	Retaining nut										Pcs	Ordering No.
	Standard, N2	3	22x2	1	4	Plastic										1	15844600
	N1	3	22x2	1	4	Plastic - closed										1	15844700
8	Kit	Pos.														Pcs	Ordering No.
	N2	8	Rubber boot + Actuating pin													1	15900900

Product (Datasheet): **PVRM1-063/S (5108), PVRM3-10 (5118)**

Size 06, 10

- 1, 2, 3, 4, 5 - O-ring



Position		PVRM1-063/S															
1 - 5	Seal Kit	Pos.	O-ring	Pcs	Pos.	O-ring	Pcs	Pos.	O-ring	Pcs	Pos.	O-ring	Pcs	Pos.	O-ring	Pcs	Ordering No.
	NBR	1	18x2	1	2	14x1.78	1	3	12.42x1.78	1	4	20x2	1	5	18x1.5	1	23128400
	FPM		18x2	1		14x1.78	1		12.42x1.78	1		20x2	1		18x1.5	1	16030500
Position		PVRM3-10															
1 - 5	Seal Kit	Pos.	O-ring	Pcs	Pos.	O-ring	Pcs	Pos.	O-ring	Pcs	Pos.	O-ring	Pcs	Pos.	O-ring	Pcs	Ordering No.
	NBR	1	20.3x2.4	1	2	17x1.8	1	3	15x1.8	1	4	22x1.5	1	5	22x2	1	23128500
	FPM		20.3x2.4	1		17.17x1.78	1		14x1.78	1		22x1.5	1		22x2	1	40102800

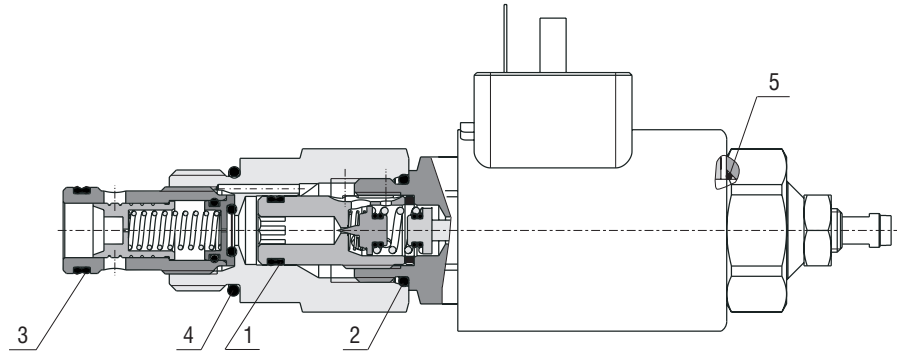
All dimensions are indicated in millimeters [mm].

6 Proportional Valves

Product (Datasheet): **SR1P2-A2 (5122), SR4P2-B2 (5117), SRN1P1-A2 (5137), SRN4P1-B2 (5138)**

Cavity A2, B2

- 1 - Dualseal
- 2 - O-ring
- 3 - Dualseal
- 4 - O-ring
- 5 - O-ring

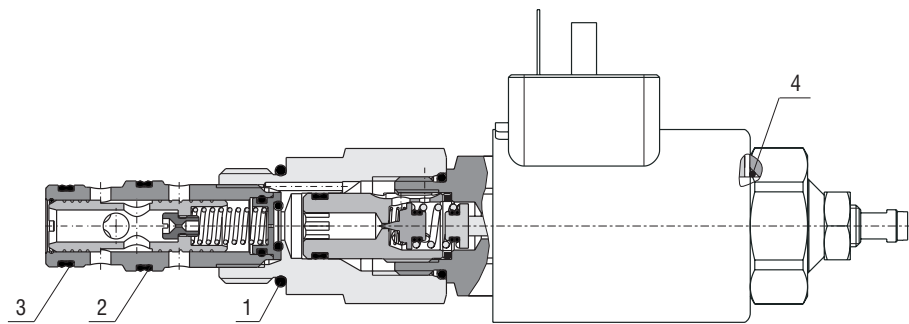


Position	SR1P2-A2, SRN1P1-A2											
1+2+5	Seal Kit	Pos.	Dualseal PU	Pcs	Pos.	O-ring	Pcs	Pos.	O-ring	Pcs	Ordering No.	
	NBR	1	10.3x12.7x3.1	1	2	17.17x1.78	1	5	18x1.5	1	40102100	
	FPM		10.3x12.7x3.1	1		17.17x1.78	1		18x1.5	1	40102000	
Position	SR4P2-B2, SRN4P1-B2											
3+4+5	Seal kit	Pos.	Dualseal PU	Pcs	Pos.	O-ring	Pcs	Pos.	O-ring	Pcs	Ordering No.	
	NBR	3	13.47x15.87x3.1	1	4	19.4x2.1	1	5	18x1.5	1	40102700	
	FPM		13.47x15.87x3.1	1		19.4x2.1	1		18x1.5	1	40102300	

Product (Datasheet): **SP4P2-B3 (5123), SPN4P1-B3 (5139)**

Cavity B3

- 1 - O-ring
- 2 - Dualseal
- 3 - Dualseal
- 4 - O-ring

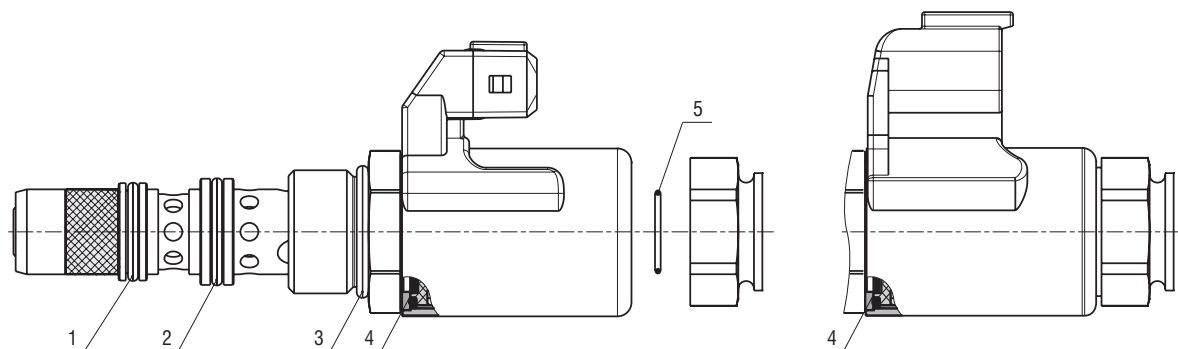


Position	SP4P2-B3, SPN4P1-B3												
1+2+3	Seal Kit	Pos.	O-ring	Pcs	Pos.	Dualseal PU	Pcs	Pos.	Dualseal PU	Pcs	Ordering No.		
	NBR	1	19.4x2.1	1	2	15.07x17.47x3.1	1	3	13.47x15.87x3.1	1	18960700		
	FPM		19.4x2.1	1		15.07x17.47x3.1	1		13.47x15.87x3.1	1	18960600		
4	Seal									Pos.	O-ring	Pcs	Ordering No.
	NBR									4	18x1.5	1	20150800
	FPM									4	18x1.5	1	20131900

Product (Datasheet): **SP4P1-B4 (5124)**

Cavity B4

- 1, 2, 3 - O-ring
- 4 - Dualseal
- 5 - O-ring

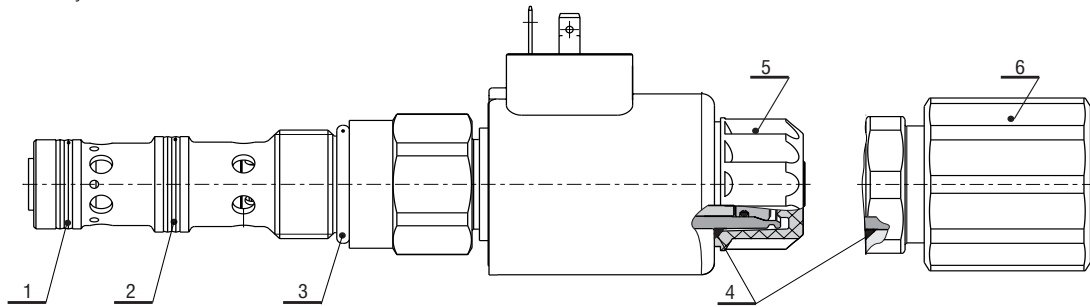


Position	SP4P1-B4																	
1+2+3+4+5	Seal Kit	Pos.	O-ring	Pcs	Pos.	O-ring	Pcs	Pos.	O-ring	Pcs	Pos.	Seal	Pcs	Pos.	O-ring	Pcs	Ordering No.	
	NBR	1	14x1.78	1	2	15.6x1.78	1	3	19.4x2.1	1	4	Silikon seal	1	5	13x2	1	34321700	
	FPM		14x1.78	1		15.6x1.78	1		19.4x2.1	1					13x2	1	34321800	

All dimensions are indicated in millimeters [mm].

Cavity B4

- 1, 2 - Dualseal
- 3 - O-ring
- 4 - O-ring Nut Kit
- 5 - Retaining nut
- 6 - Swivel handle (only for M10)



Position	SF32P-C3										
1+2+5	Seal Kit	Pos.	Dualseal PU	Pc	Pos.	Dualseal PU	Pc	Pos.	O-ring	Pc	Ordering No.
	NBR	1	19,62x22,22x3,8	1	2	21,2x23,8x3,8	1	3	23.47x2.95 NBR 90 BK	1	43669700
	FPM		19,62x22,22x3,8	1		21,2x23,8x3,8	1		23.47x2.95 FPM 90 GN	1	43669600
4+5	Nut Kit	Pos.	O-ring	Pc	Pos.	Retaining nut	Pc				Ordering No.
		4	22x2	1	5	Plastic	1				15844600
4+6	Nut Kit	Pos.	O-ring	Pc	Pos.	Swivel handle	Pc				Ordering No.
		4	22x2	1	6	M10 (only for M10)	1				43697000

7 Explosion Proof Valves (ATEX/IECEX)

Product (Datasheet):	SD1EX-A2 (4088), SD1EX-A3 (4068), SD2EX-B2 (4064), SD2EX-B3 (4065), SD2EX B4 (4066), Screw-in Style SD3EX-B2 (4067), SD2PX-B4 (5186), SD3EX-C2 (4089), PVRMX3-103 (5184)
----------------------	---

Product (Datasheet):	RPEX3-06 (4054), RPERX3-06 (4095), RPEX3-06*S6 (4094), Modular Style PRMX2-06 (5183), PRMX8-06 (5185)
----------------------	--

ATEX - generally

Position	SD1EX-A2, SD1EX-A3, SD2EX-B2, SD2EX-B3, SD2EX-B4, SD3EX-B2, SD3EX-C2			
1	Seal	O-ring	Pcs	Ordering No.
	MVQ (Silikon)	21.89x2.62	1	43928800
2	Seal	O-ring	Pcs	Ordering No.
	MVQ (Silikon)	46x2	1	34950700

Screw-in Style

For other spare parts see the standard product (for search of exact page use the Content)

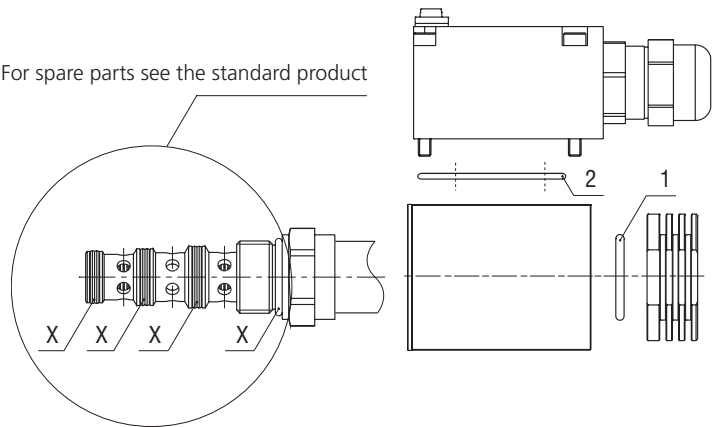
Explosion proof	Standard product	Section
SD1EX-A2	SD1E-A2	1
SD1EX-A3	SD1E-A3	
SD2EX-B3	SD2E-B3	
SD2EX-B4	SD2E-B4	
SD3EX-B2	SD3E-B2	
SD3EX-C2	SD3E-C2	

SD2PX-B4	SD2P-B4	6
-----------------	---------	---

PVRMX3-103	PVRM3-103	6
Seal kit	Pos. 1+2+3	
Ordering No,	44461000	

- 1 - O-ring
- 2 - O-ring

For spare parts see the standard product



Modular Style

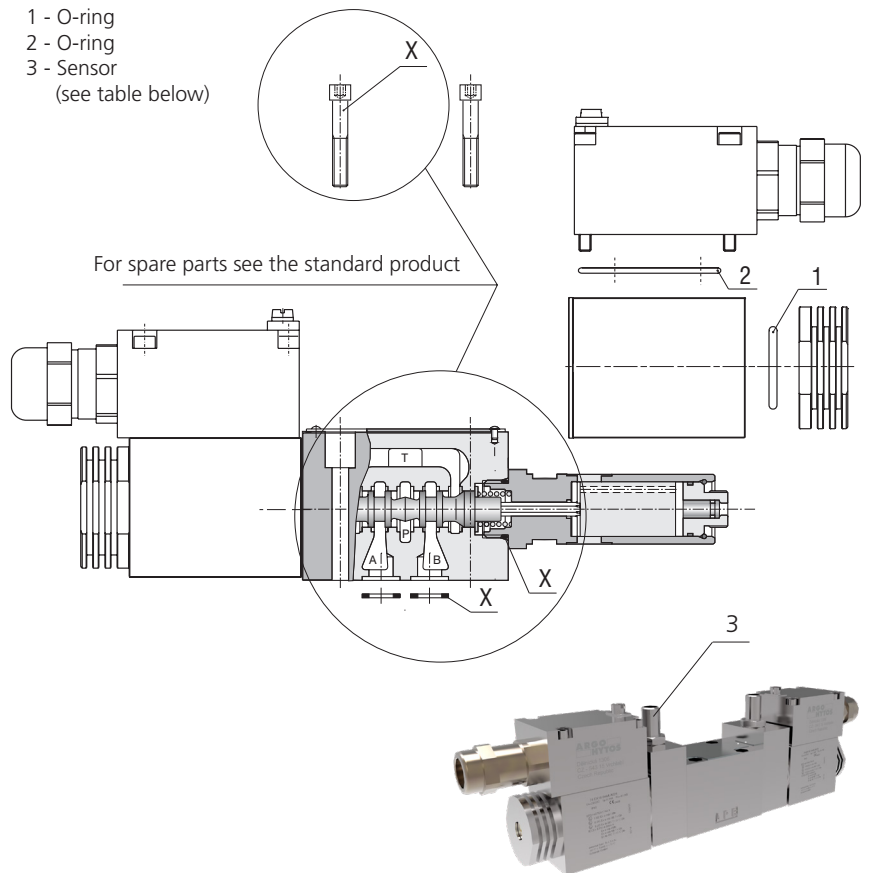
For other spare parts see the standard product (for search of exact page use the Content)

Explosion proof	Standard product	Section
RPEX3-06	RPE3-06	1
RPERX3-06	RPER3-06	
RPEX3-06*S6	RPE3-06	

PRMX2-06	PRM2-06	6
PRMX8-06	PRM8-06	

- 1 - O-ring
- 2 - O-ring
- 3 - Sensor (see table below)

For spare parts see the standard product



Position	RPEX3-06*S6	Pcs	Ordering No.
3	Sensor S6	1	40785200
	210 bar (3050 Pcs)	1	40785200

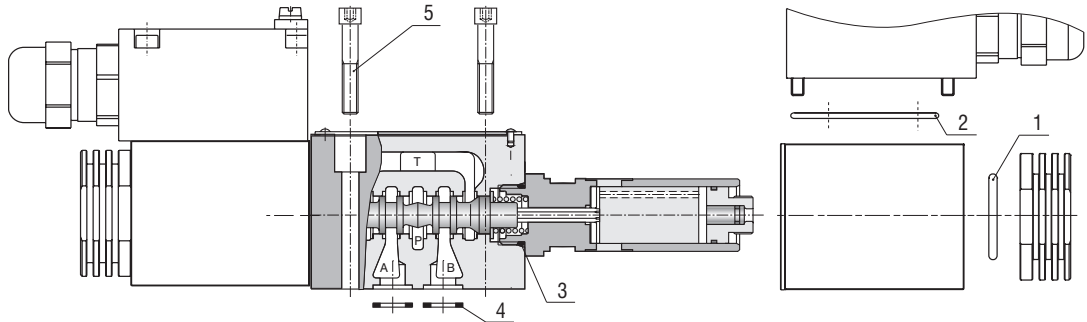
All dimensions are indicated in millimeters [mm].

7 Explosion Proof Valves (ATEX/IECEX)

Product (Datasheet): **RNEXH1-10 (4077), RNEXH5-16 (4058), RNEXH4-25 (4059)**

RPEX3-06

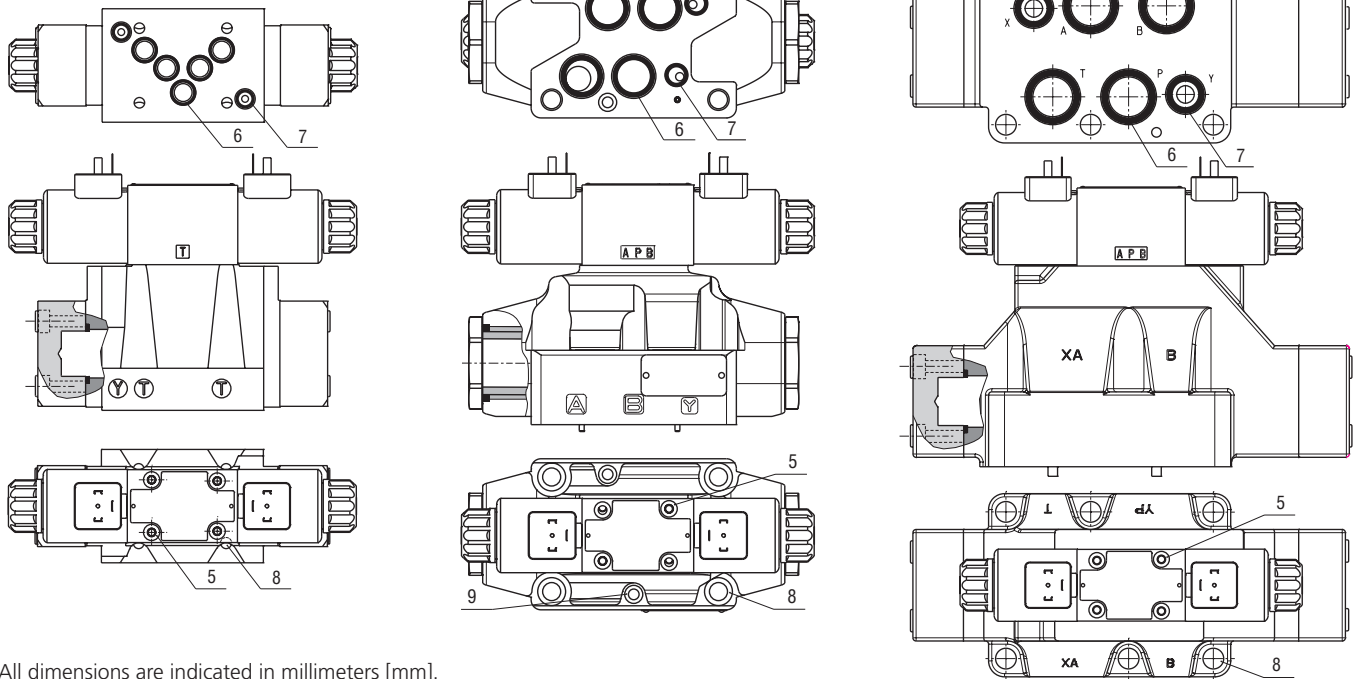
- 1, 2 - O-ring
- 3 - O-ring
- 4 - Square ring (NBR),
O-ring (FPM)
- 5 - Mounting bolt



RNEXH1-10

RNEXH5-16

RNEXH4-25



All dimensions are indicated in millimeters [mm].

Position	RPEX3-06							
1	Seal	Pos.	O-ring	Pcs			Ordering No.	
	VMQ (Silikon)	1	21.89x2.62	1			43928800	
2	Seal	Pos.	O-ring	Pcs			Ordering No.	
	VMQ (Silikon)	2	46x2	1			34950700	
3+4	Seal Kit	Pos.	O-ring	Pcs	Pos.	Ring	Pcs	Ordering No.
	NBR	3	17x1.8	2	4	Square ring 9.25x1.68	4	15845200
	FPM		17.17x1.78	2		O-ring 9.25x1.78	4	15845400
5	Bolt Kit	Pos.			Pcs		Ordering No.	
Mounting bolts for steel plates	5		Bolt M5x45	4		for studs see Datasheet 0020	15845100	

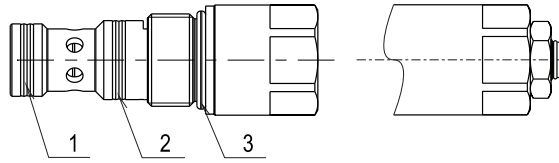
Position	RNEH1-10							
6+7	Seal Kit	Pos.	O-ring	Pcs	Pos.	O-ring	Pcs	Ordering No.
	NBR	6	12.42x1.78	5	7	9.25x1.78	2	40075900
	FPM			5			2	On request
8	Bolts	Pos.		Pcs				
Mounting bolts	8		Bolt M6x35	4		Mounting bolts for steel plates are not available		
Position	RNEH5-16							
6+7	Seal Kit	Pos.	O-ring	Pcs	Pos.	O-ring	Pcs	Ordering No.
	NBR	6	22.22x2.62	4	7	10.82x1.78	2	40076000
	FPM			4			2	On request
8+9	Bolts	Pos.		Pcs				
Mounting bolts	8,9		Bolt M10x60, M6x50	4+2		Mounting bolts for steel plates are not available		
Position	RNEH4-25							
6+7	Seal Kit	Pos.	O-ring	Pcs	Pos.	O-ring	Pcs	Ordering No.
	NBR	6	29.82x2.62	4	7	20.29x2.62	2	40076200
	FPM			4			2	On request
8	Bolts	Pos.		Pcs				
Mounting bolts	8		Bolt M12x60	6		Mounting bolts for steel plates are not available		

15 Logic Valves

Product (Datasheet): **SL2H-BP3/H2I11 (5044), SL2H-BP3/H2I12 (5043)**

Cavity BP3

1, 2, 3 - seal



Position	SL2H-BP3/H2I11*, SL2H-BP3/H2I12*										
1-3	Seal Kit	Pos.	Dual-Seal PU	Pcs	Pos.	Dual-Seal PU	Pcs	Pos.	O-ring	Pcs	Ordering No.
	NBR	1	15.07x17x47x3.1	1	2	16.65x19.05x3.1	1	3	19.4x2.1 NBR70	1	40771600
	FPM		15.07x17x47x3.1	1		16.65x19.05x3.1	1		19.4x2.1 V80	1	40768400

All dimensions are indicated in millimeters [mm].

Ordering Code

SP - [] - [] - [] / []

Spare parts

Group

Bolt kit
Fork kit
Nut kit
Nut kit for double coil valve
Seal kit
Orifice
Spool and position sensor
Soft-shift
Connector

BK
FK
NK
DNK
SK
O
SPcs
SS
C

Bolt kit - size definition

Bolt kit - for DN04
Bolt kit - for DN06
Bolt kit - for DN10

BK
DN04
DN06
DN10

Fork kit - size definition

Fork SLIP-IN M8 + Bolt M8x16

FK
M8

Nut kit - definition

Sada matice - definice
SIC
CETOP
SIC + CETOP
ATEX

NK
S
C
SC
E

Seal kit - definition

Cavity / Valve size

SK
example - A2 /DN04

Orifice - definition

Valve size
Valve size
Valve size
Valve size

O
DN03
DN04
DN06
DN10

Spool and position sensor - definition

normally-open sensor (210 bar)
normally-closed sensor (210 bar)

SPcs
S1
S4

Soft-shift definition

Orifice Ø0.6 mm (0.02 inch) in T line bridge
Adjustable needle valve in T line bridge

SS
T2
T3

Connector

FEMALE-CAN open (optional)
FEMALE, exter.feedback (optional)
only for E03 and E04S01 configurations
M23
G4W1FSW
CM06EA14S-61S

C
M12x1-5PIN-FEMALE-CAN
M12x1-5PIN-FEMALE-FEEDBACK
M12x1-5PIN-MALE
M23-7PIN-FEMALE
G4W1FSW
CM06EA14S-61S

S
N2
N3
N4
N5
N7
N9
M7
M9
M10

NK
Standard
manual override N2
manual override N3
manual override N4
manual override N5
manual override N7
manual override N9
manual override M7
manual override M9
manual override M10

O
070 0.7 mm (0.028 in)
080 0.8 mm (0.031 in)
100 1.0 mm (0.039 in)
120 1.2 mm (0.042 in)
150 1.5 mm (0.059 in)
200 2.0 mm (0.079 in)
220 2.2 mm (0.087 in)
250 2.5 mm (0.098 in)
400 4.0 mm (0.157 in)

N
V
H
S

SK
NBR
FPM
HNBR
VMQ

14
19
22
31
X
2X

NK
Core tube outer diameter
Core tube outer diameter
Core tube outer diameter
Core tube outer diameter
Atex coil („Ex-m“)
Atex coil („Ex-d“)

M5x35
M4x12
M4x12 + M4x10
M5x30
M5x45
M6x40
M6x45

BK
Size
Size
Size
Size
Size
Size
Size

