

DP-04 (06, 10)

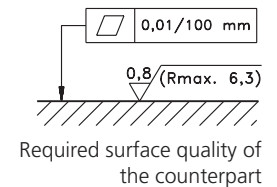
Size 04, 06, 10 (D02, D03, D05) • p_{max} 350 bar (5100 PSI)



Technical Features

- › Subplates for individual mounting of hydraulic components in hydraulic circuits with connections realized by tubes or hoses
- › Universal subplates to connect any components with installation dimensions acc. to ISO 4401, (DIN 24340 and CETOP)
 - installation dimensions of Size 04: ISO 4401-02-01-0-05, (CETOP 02 - RP121H)
 - installation dimensions of Size 06: ISO 4401-03-02-0-05, (DIN 24340-A6)
 - installation dimensions of Size 10: ISO 4401-05-04-0-05, (DIN 24340-A10)
- › Special subplates - see survey of applications
- › The subplate surface is phosphated
- › The top ground surface with mounting pattern acc. to ISO 4401 is protected with a transport plate

Models overview	Rated pressure bar (PSI)	Mounting interface	Product example / Datasheet No.
DP1-04/32-A* DP1-04/32-B*	320 (4640)	ISO 4401-AA-02-4-A DIN 24340-A4	RPE2-04* / (4012)
DP3-04/32-A* DP4-04/32-A*	320 (4640)	ISO 4401-02-01-0-05 CETOP 02 - RP121H	RPE3-04* / (4014)
DP2-06/35-B* DP2-06/35-C*	350 (5080)	ISO 4401-03-02-0-05 DIN 24340-A6 CETOP 03	RPE3-06* / (4010)
DP1-10/35-A* DP1-10/35-B* DP1-10/35-C*	350 (5080)	ISO 4401-05-04-0-05 DIN 24340-A10 CETOP 05	RPE4-10* / (4039)



Ordering Code

DP* [] / [] - [] - []

Subplates for ISO 4401 modular valve

Design version, plate size mounting interface

ISO 4401-AA-02-4-A (DIN 24340-A4)	1 - 04
ISO 4401-02-01-0-05 (CETOP 02)	3 - 04
ISO 4401-02-01-0-05 (CETOP 02)	4 - 04
ISO 4401-03-02-0-05 (CETOP 03)	2 - 06
ISO 4401-03-02-0-05 (CETOP 03)	3 - 06
ISO 4401-05-04-0-05 (CETOP 05)	1 - 10

Rated pressure

DP*04	320 bar (4640 PSI)	32
DP*06(10)	350 bar (5076 PSI)	35

No designation

B

Surface treatment

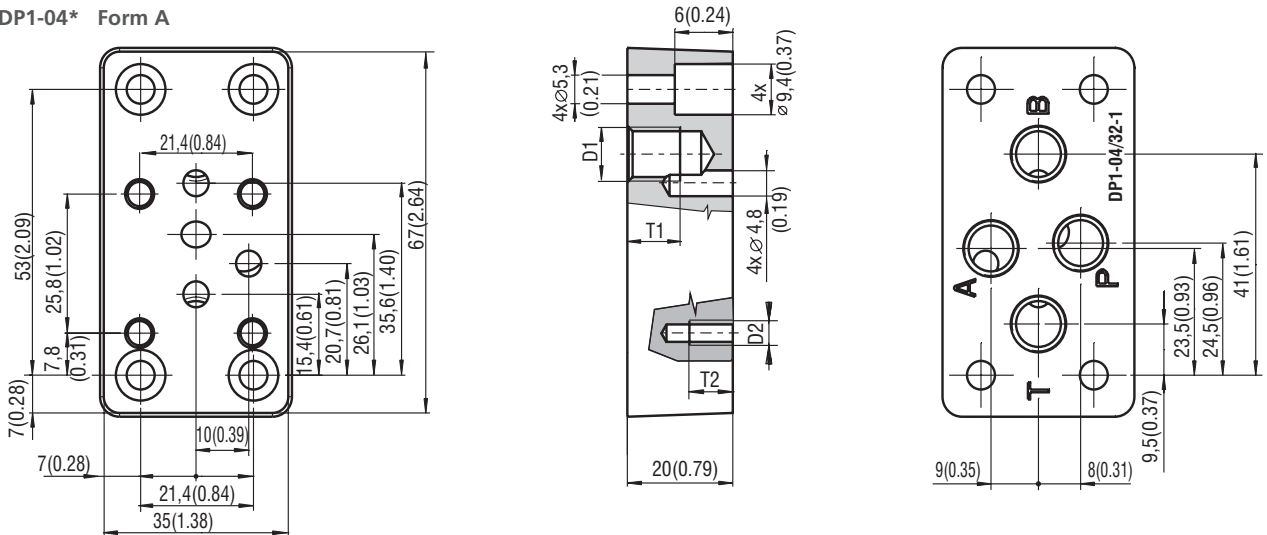
phosphated

zinc-coated (ZnNi), ISO 9227 (520 h)

Model	Thread size									
	M10x1.5	M12x1.5	M14x1.5	M16x1.5	M18x1.5	M22x1.5	G1/4	G3/8	G3/4	G1/2
	Designation of form (A-D) thread (1-22) (see dimensional drawing)									
DP1-04*	A1	B1								
DP3-04*								A10		
DP4-04*		A3					A4			
DP3-06*		A1	A2, D18	B3	B4	C5	A7	B8		C9
DP1-10*					C6				B2	A1
	Designation of form (A-D) thread (1-22) (see dimensional drawing)									
	NPT 1/4	NPT 3/8	NPT 1/2	SAE-6; 9/16-18UNF		SAE-8; 3/4-16UNF		SAE-10; 7/8-14UNF		
DP1-04*										
DP3-04*						A21				
DP4-04*				A20						
DP3-06*	A15	B16	C17	A11		B12. C13		C22		

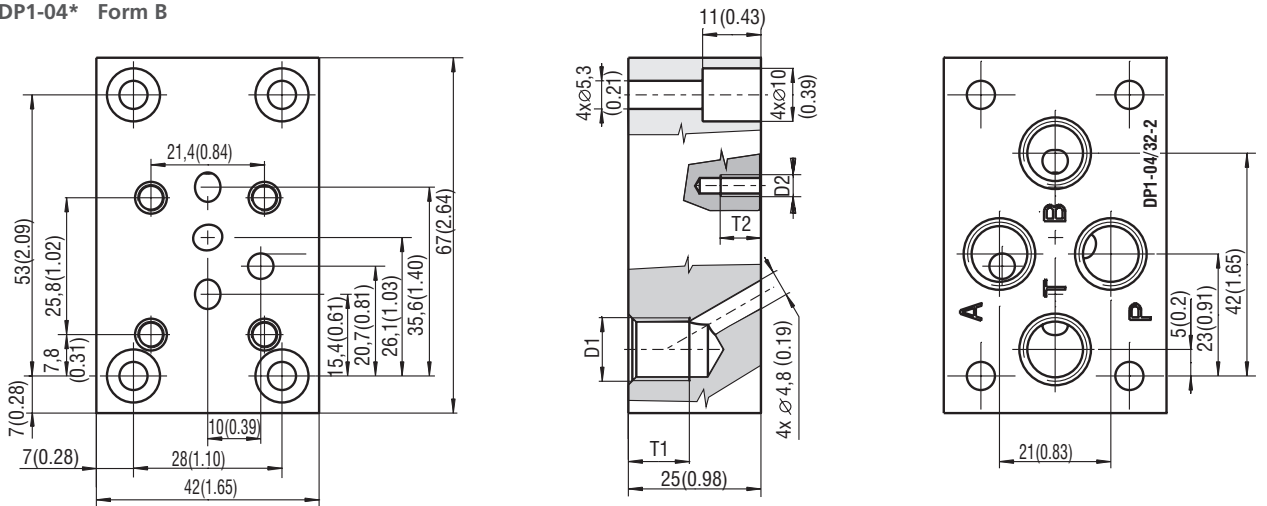
Subplates Size 04 Dimensions in millimeters (inches)

DP1-04* Form A



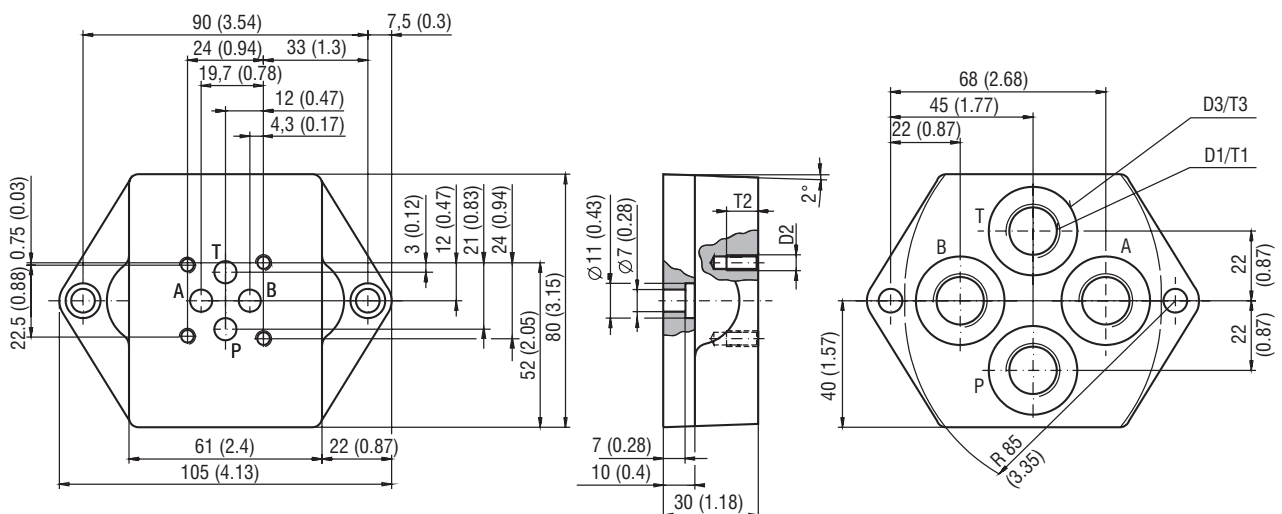
Ordering code	D1	T1	D2	T2	Weight [kg (lbs)]
DP1-04/32-A1	M10x1.5	10 (0.39)	M5	10 (0.39)	0.9 (1.98)

DP1-04* Form B



Ordering code	D1	T1	D2	T2	Weight [kg (lbs)]
DP1-04/32-B1	M12x1.5	11.5 (0.45)	M5	10 (0.39)	0.9 (1.98)

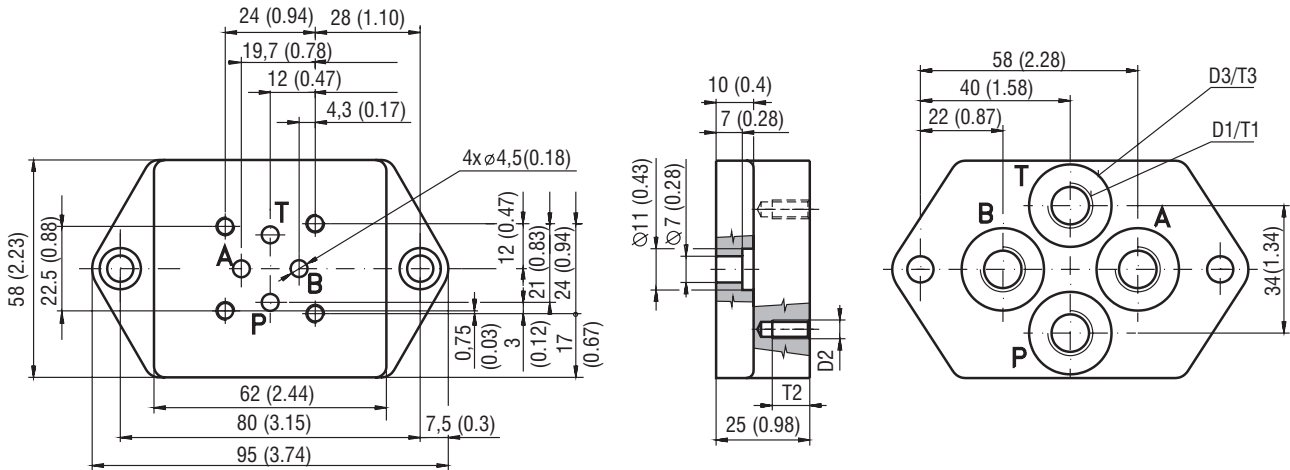
DP3-04* Form A



Ordering code	D1	T1	D2	T2	D3	T3	Weight [kg (lbs)]
DP3-04/32-A10	G3/8	12 (0.47)	M5	10 (0.39)	Ø28 (1.1)	1 (0.04)	0.9 (1.98)
DP3-04/32-A21	SAE-8; 3/4-16UNF	12 (0.47)	10-24 UNC	10 (0.39)	Ø28 (1.1)	1 (0.04)	0.9 (1.98)

Subplates Size 04 Dimensions in millimeters (inches)

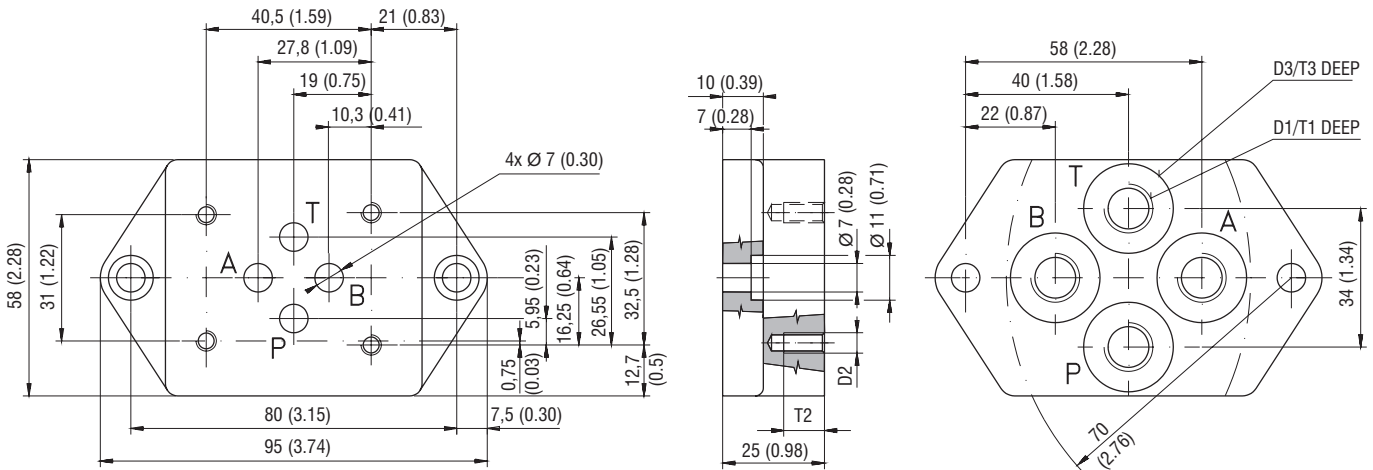
DP4-04* Form A



Ordering code	D1	T1	D2	T2	D3	T3	Weight [kg (lbs)]
DP4-04/32-A3	M12x1.5	13 (0.51)	M5	10 (0.39)	ø22 (0.87)	1 (0.04)	0.6 (1.32)
DP4-04/32-A4	G1/4						
DP4-04/32-A20	SAE-6; 9/16-18UNF	13 (0.51)	10-24 UNC	10 (0.39)	ø22 (0.87)	0.8 (0.31)	

Subplates Size 06 Dimensions in millimeters (inches)

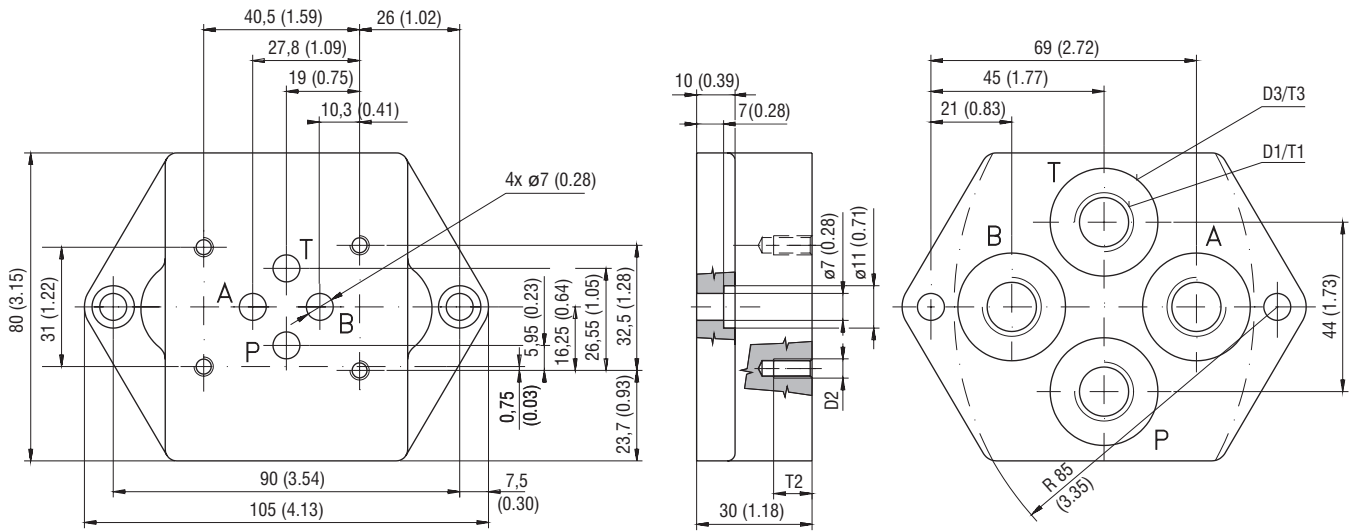
DP3-06* Form A



Ordering code	D1	T1	D2	T2	D3	T3	Weight [kg (lbs)]
DP3-06/35-A1	M12x1.5	13 (0.51)	M5	10 (0.39)	ø22 (0.87)	1 (0.04)	0.6 (1.32)
DP3-06/35-A2	M14x1.5						
DP3-06/35-A7	G1/4						
DP3-06/35-A15	NPT 1/4	10 (0.39)	10-24 UNC		-	-	
DP3-06/35-A11	SAE-6; 9/16-18	13 (0.51)			ø21 (0.83)	0.8 (0.03)	

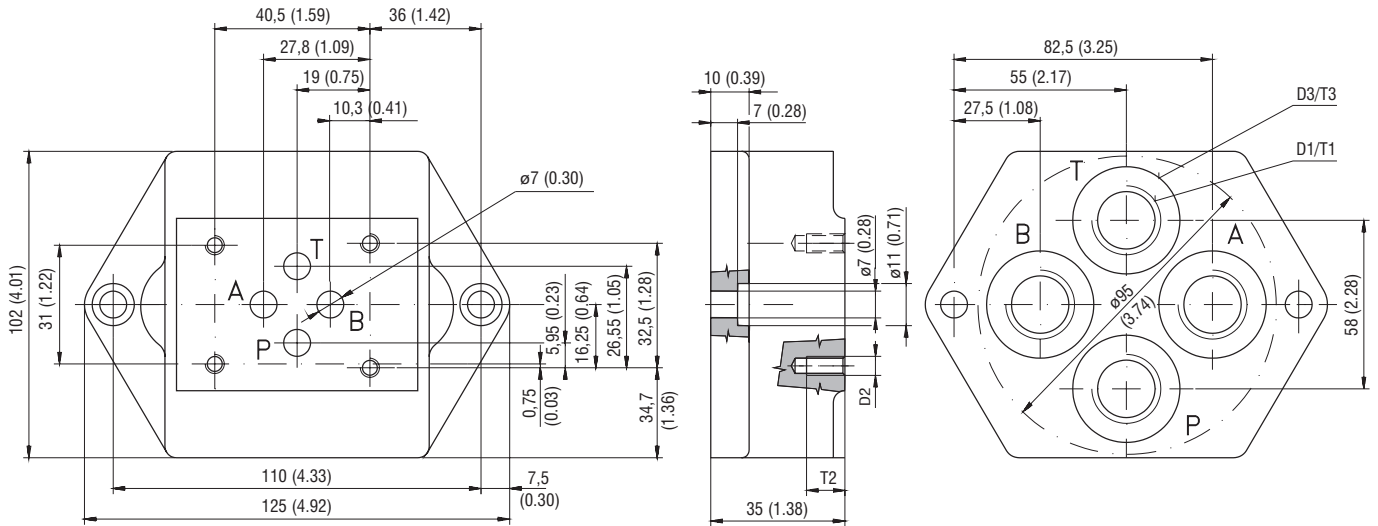
Subplates Size 06 Dimensions in millimeters (inches)

DP3-06* Form B



Ordering code	D1	T1	D2	T2	D3	T3	Weight [kg (lbs)]
DP3-06/35-B3	M16x1.5	13 (0.51)	M5	10 (0.39)	Ø28 (1.10)	1 (0.04)	1.1 (2.43)
DP3-06/35-B4	M18x1.5						
DP3-06/35-B8	G3/8						
DP3-06/35-B16	NPT 3/8	10.3 (0.41)	10-24 UNC	-	-		
DP3-06/35-B12	SAE-8; 3/4-16UNF	15 (0.59)		Ø25 (0.98)	0.8 (0.03)		

DP3-06* Form C

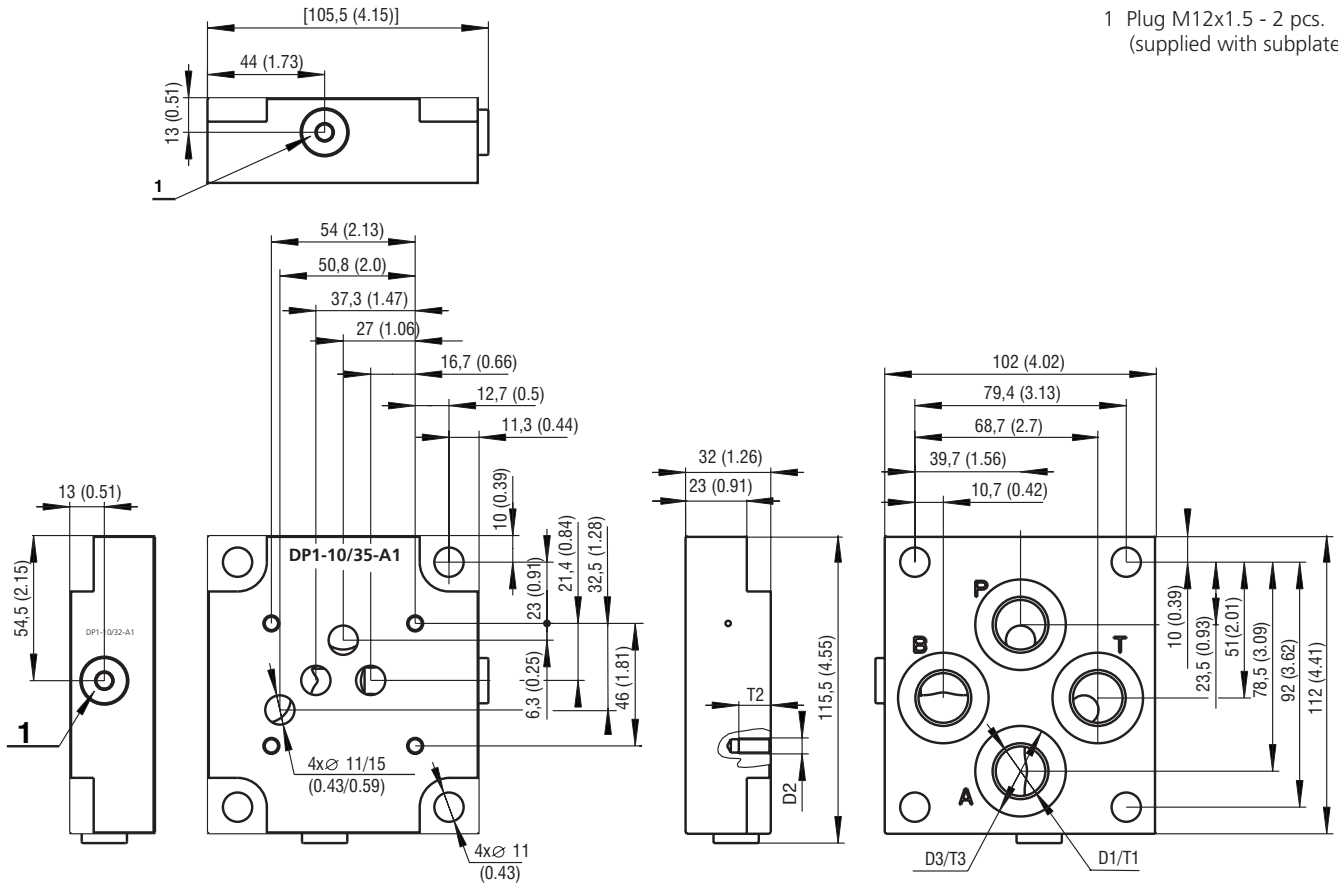


Ordering code	D1	T1	D2	T2	D3	T3	Weight [kg (lbs)]
DP3-06/35-C5	M22x1.5	14 (0.55)	M5	10 (0.39)	Ø34 (1.34)	1 (0.04)	1.9 (4.19)
DP3-06/35-C9	G1/2						
DP3-06/35-C17	NPT 1/2						
DP3-06/35-C13	SAE-8; 3/4-16UNF	15 (0.59)	10-24 UNC	Ø30 (1.18)	0.8 (0.03)		
DP3-06/35-C22	SAE-10; 7/8-14UNF	17 (0.67)		Ø34 (1.34)	2.4 (0.09)		

Subplates Size 10 Dimensions in millimeters (inches)

DP1-10* Form A

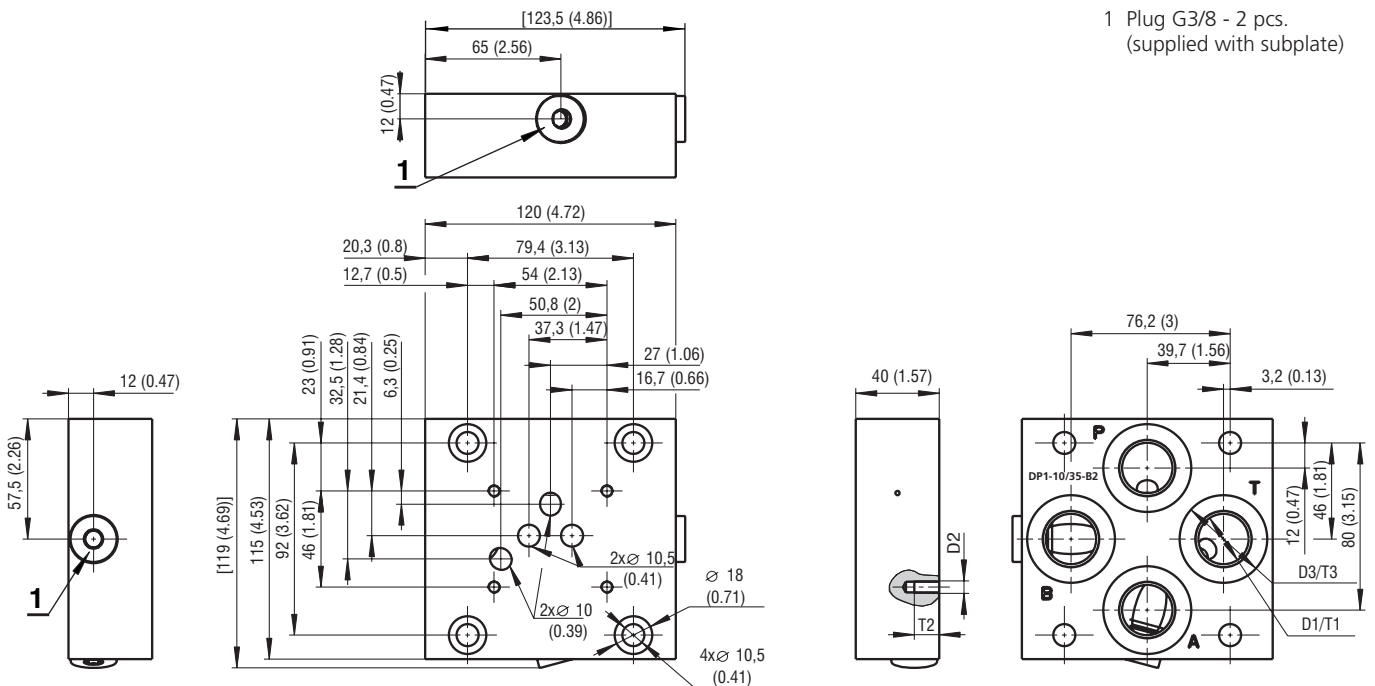
1 Plug M12x1.5 - 2 pcs.
(supplied with subplate)



Ordering code	D1	T1	D2	T2	D3	T3	Weight [kg (lbs)]
DP1-10/35-A1	BSPP 1/2	14 (0.55)	M6	12 (0.47)	Ø34 (1.34)	1 (0.04)	2.3 (5.07)

DP1-10* Form B

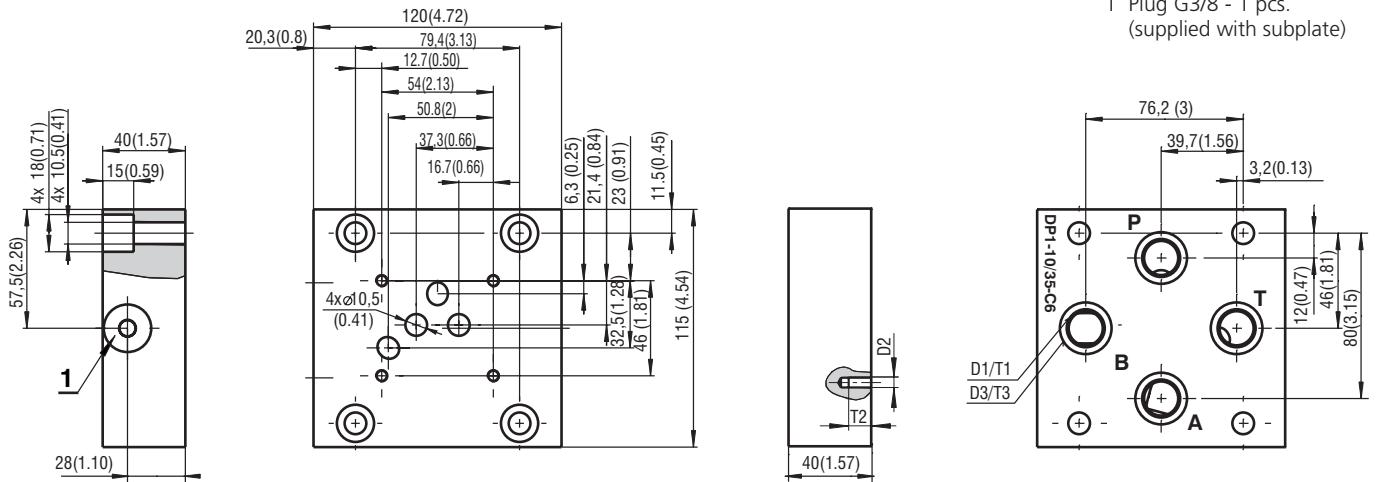
1 Plug G3/8 - 2 pcs.
(supplied with subplate)



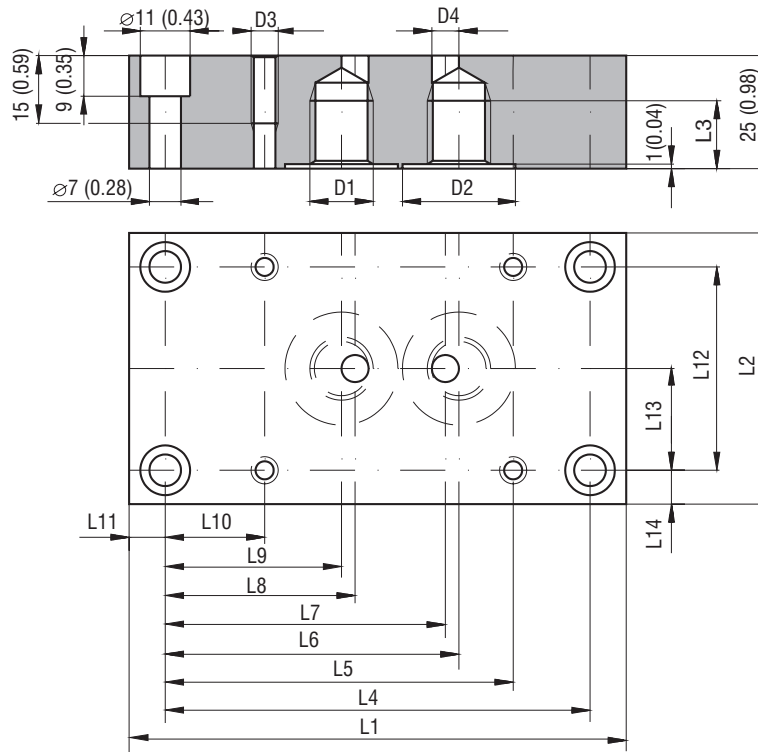
Ordering code	D1	T1	D2	T2	D3	T3	Weight [kg (lbs)]
DP1-10/35-B2	BSPP 3/4	16 (0.63)	M6	12 (0.47)	Ø42 (1.65)	1 (0.04)	2.5 (5.51)

DP1-10* Form C

1 Plug G3/8 - 1 pcs.
(supplied with subplate)



Ordering code	D1	T1	D2	T2	D3	T3	Weight [kg (lbs)]
DP1-10/35-C6	M18x1.5	12 (0.47)	M6	12 (0.47)	∅25 (0.98)	1 (0.04)	2.5 (5.51)



Ordering code	D1	ØD2	D3	ØD4	L1	L2	L3	L4	L5	
D-06M/VPP1	M14x1.5	25 (0.98)	M6	6 (0.24)	110 (4.33)	60 (2.36)	15 (0.59)	94 (3.70)	77 (3.03)	
D-06G/VPP1	G1/4		1/4-20 UNC				13 (0.51)			
D-06S/VPP1	9/16-18UNF-2B									
D-08M/VPP1	M18x1.5	28 (1.10)	M8	10 (0.39)	135 (5.32)	80 (3.15)	16 (0.63)	115 (4.53)	97.5 (3.84)	
D-08G/VPP1	G3/8									
D-08S/VPP1	3/4-16 UNF-2B	30 (1.18)	5/16-18 UNC-2B							17.5 (0.69)
D-10M/VPP1	M22x1.5	34 (1.34)	M8							16 (0.63)
D-10G/VPP1	G1/2									
D-10S/VPP1	3/4-16 UNF-2B	30 (1.18)	5/16-18 UNC-2B		17.5 (0.69)					

Ordering code	L6	L7	L8	L9	L10	L11	L12	L13	L14
D-06M/VPP1	65 (2.56)	62 (2.44)	42 (1.65)	39 (1.54)	22 (0.87)	8 (0.31)	45 (1.77)	22.5 (0.89)	7.5 (0.29)
D-06G/VPP1									
D-06S/VPP1									
D-08M/VPP1	80.5 (3.17)	72.5 (2.85)	48.5 (1.91)	40.5 (1.60)	27.5 (1.08)	10 (0.39)	60 (2.36)	30 (1.18)	10 (0.39)
D-08G/VPP1									
D-08S/VPP1									
D-10M/VPP1									
D-10G/VPP1									
D-10S/VPP1									