



SAP 012-108 DIN is a series of light weight casing piston pumps with a fixed displacement for demanding mobile hydraulics.

SAP 012-108 DIN covers the displacement range 12-108 cm³/rev. at a maximum pressure of 400 bar. It is a modern, compact pump which meets the market's high demands on flow performance, pressure, efficiency and small installation dimensions. The pump is either mounted directly on the power take-off or on a frame bracket via an intermediate shaft.

Other advantages:

- Light weight metal casing design
- Smooth operation over the entire speed range
- Long life due to high demands on material selection, such as bearings, seals, etc
- Corrosion free light metal-housing
- Less heat generation due to better ability to dissipate heat through housing

Versions, main data

Example

SA	P	-	084	L	-	N	-	DL4	-	L35	-	S0	S	-	0	00
Line	1		2	3		4		5		6		7	8		9	10

Line	
SA	Sunfab Aluminium
P	Pump

2. Displacement										
012	017	025	034	040	047	056	064	084	108	

3. Direction of rotation	
R	Right
L	Left

4. Sealing	
N	Nitrile
V	HNBR *

* Only available for 040-108

5. Mounting flange	
DL4	DIN 4-h (ISO 7653D)

6. Shaft	
L35	DIN 5462 / ISO 14
H35	DIN 5462 / ISO 14 Ø 8.15

7. Connection cover	
S0	40° Sunfab standard

8. Connections	
S	Sunfab standard

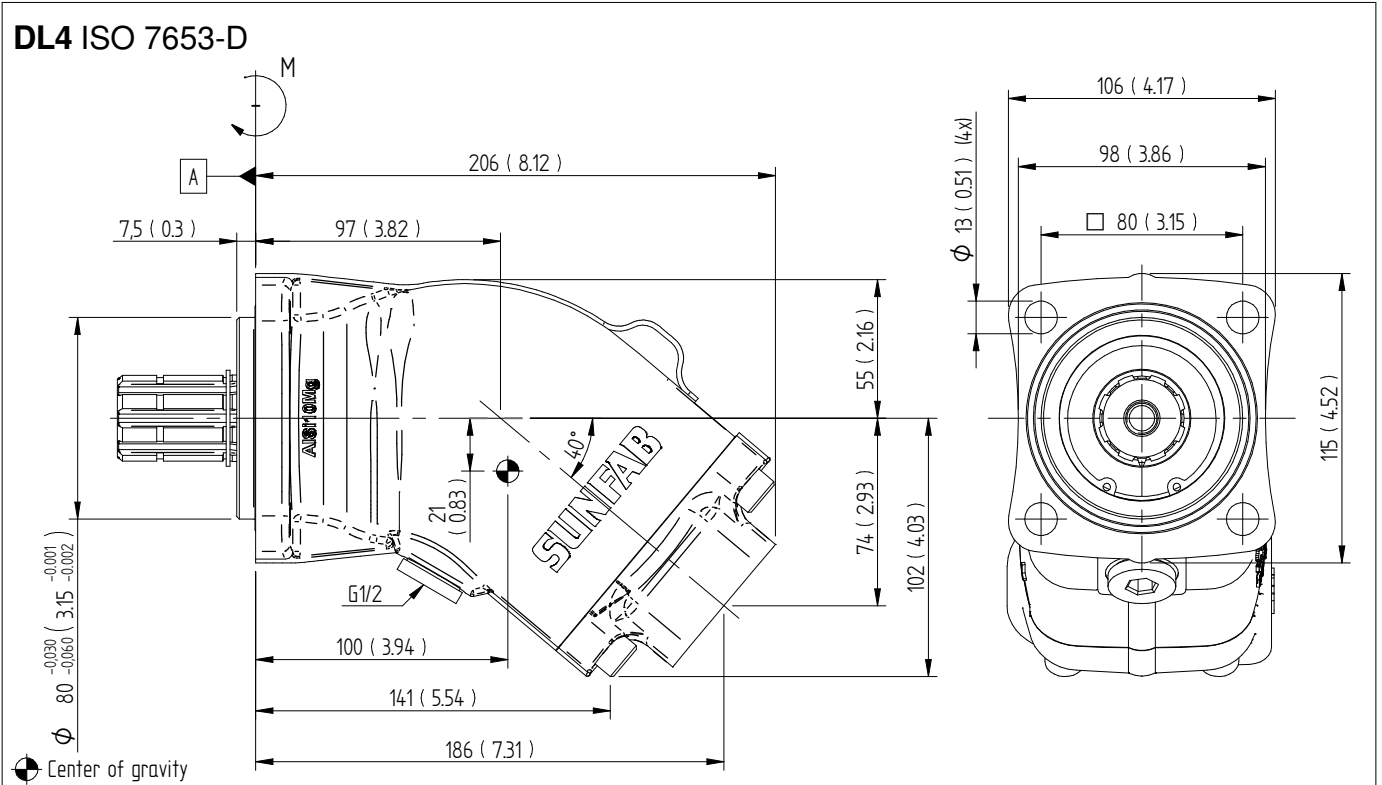
9. Additional	
0	-

10. Accessories	
00	No accessories available

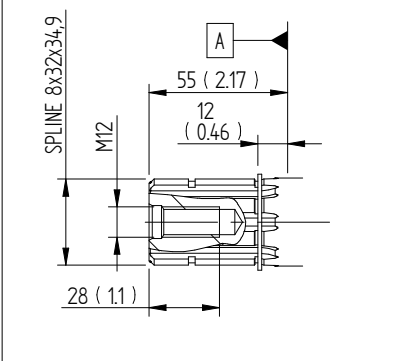
SAP 012-108 DIN		012	017	025	034	040	047	056	064	084	108	
Theoretical oil flow l/min at pump speed												
	rpm	500	6	9	13	17	21	24	28	32	42	54
		1000	13	17	25	34	41	47	57	64	84	108
		1500	19	26	38	51	62	71	85	95	125	162
Displacement	cm ³ /rev	12.6	17.0	25.4	34.2	41.2	47.1	56.7	63.5	83.6	108.0	
Max pump speed												
continuous	rpm	2300	2300	2300	2300	1900	1900	1900	1900	1600	1600	
limited		3000	3000	3000	3000	2500	2500	2500	2500	2100	2100	
Max working pressure	bar	400	400	400	400	400	400	400	400	400	400	
Weight	kg	6.9	6.9	7.1	7.1	9.8	9.8	9.8	9.8	13.9	13.9	
Tare-weight torque (M)	Nm	6.7	6.7	7.0	7.0	11.5	11.5	11.5	11.5	18.5	18.5	
Direction of rotation	Left (L) or Right (R)											

Dimensions SAP 012-034 DIN

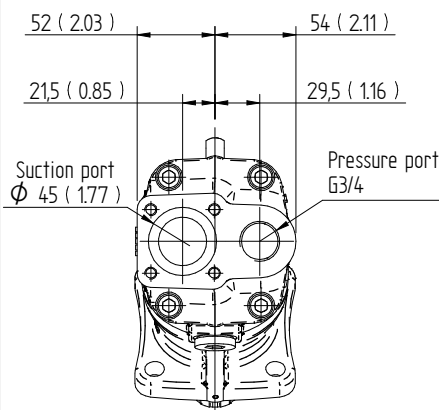
Millimeter (inch)



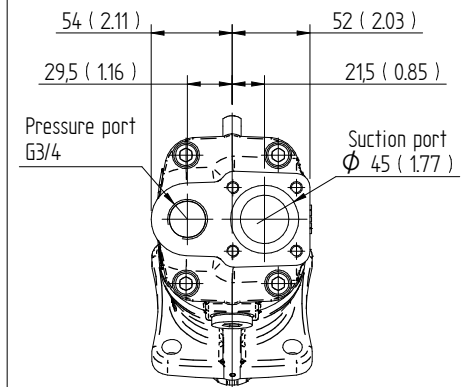
L35 DIN 5462 / ISO 14



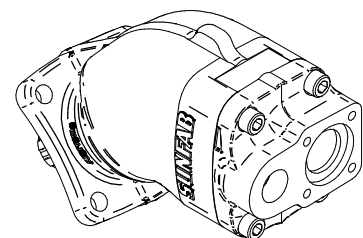
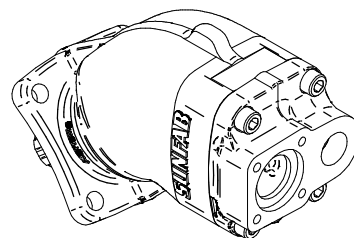
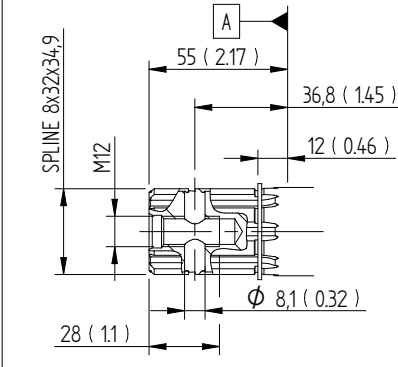
S0S Left rotation (L)



S0S Right rotation (R)

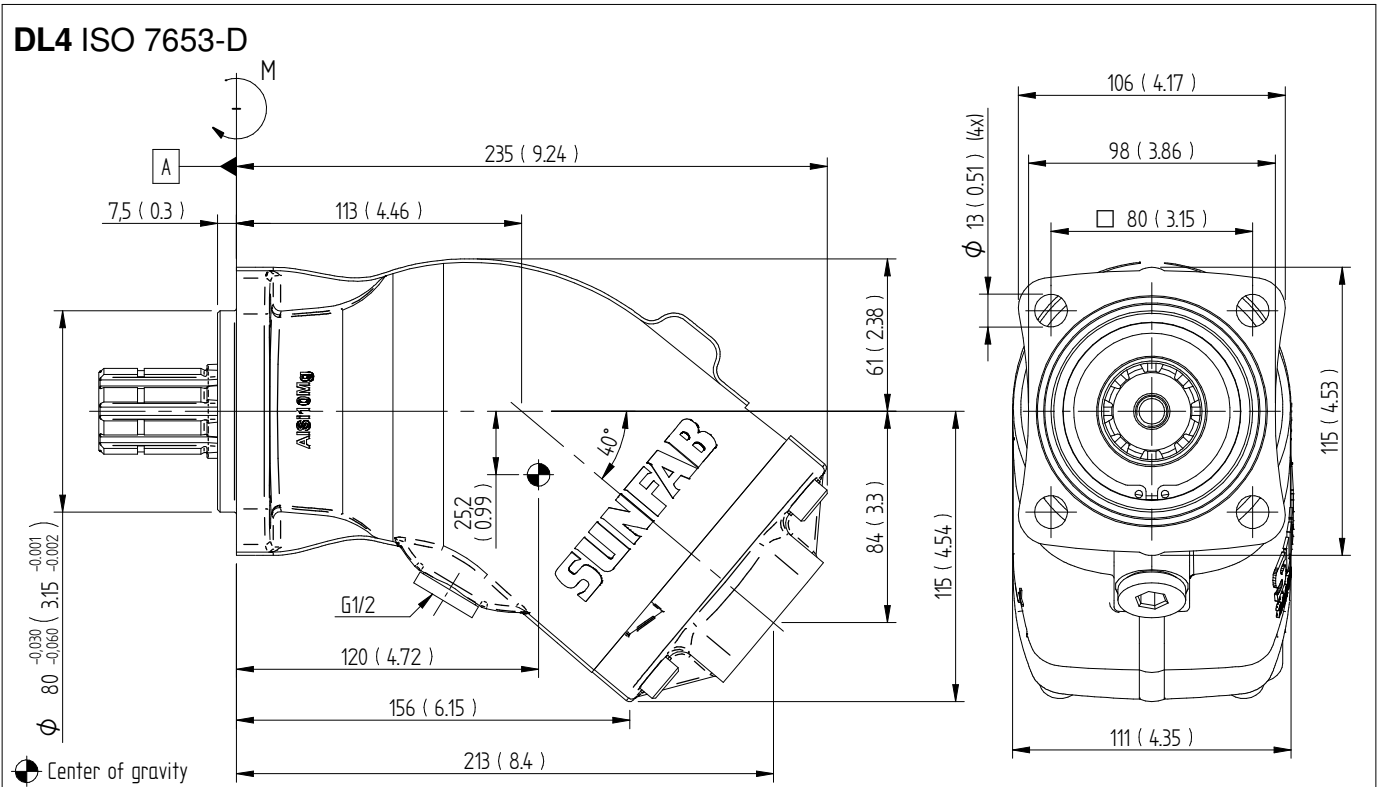


H35 DIN 5462 / ISO 14

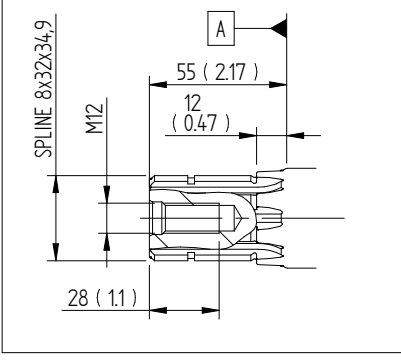


Dimensions SAP 040-064 DIN, SAPT 090 DIN

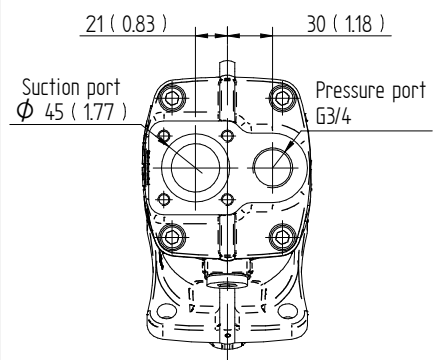
Millimeter (inch)



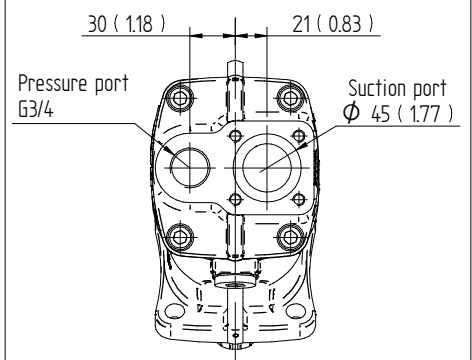
L35 DIN 5462 / ISO 14



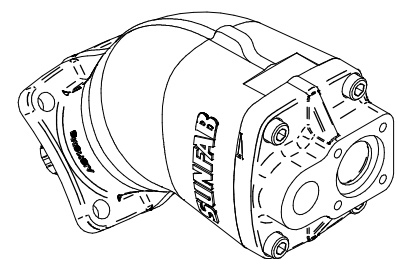
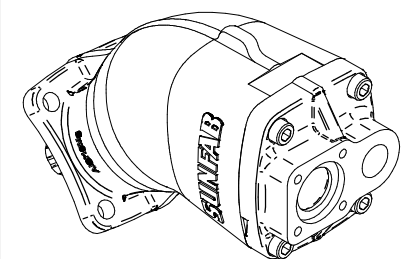
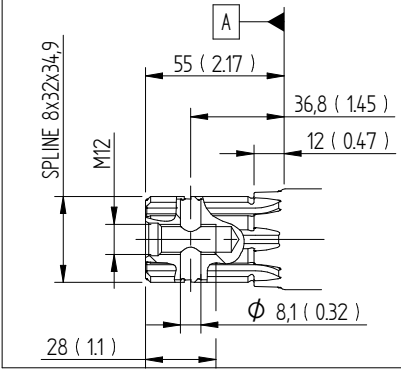
S0S Left rotation (L)



S0S Right rotation (R)

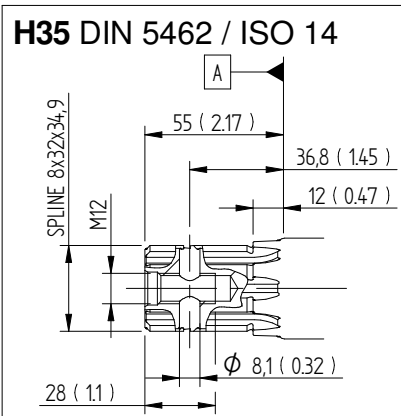
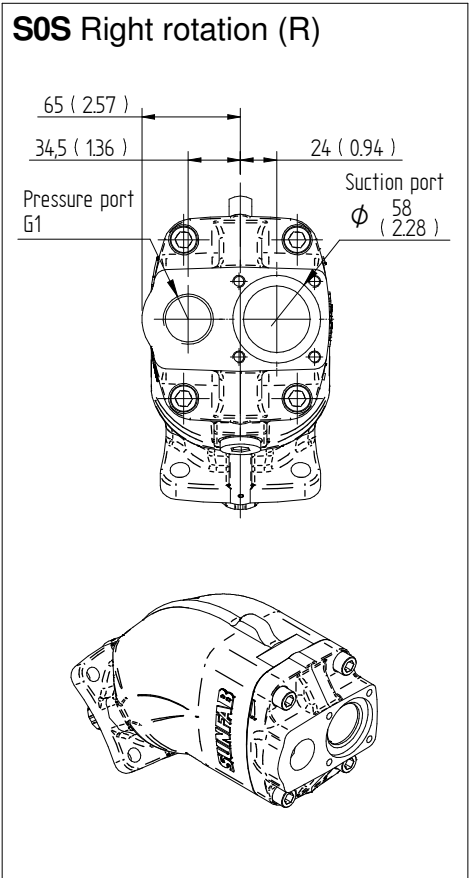
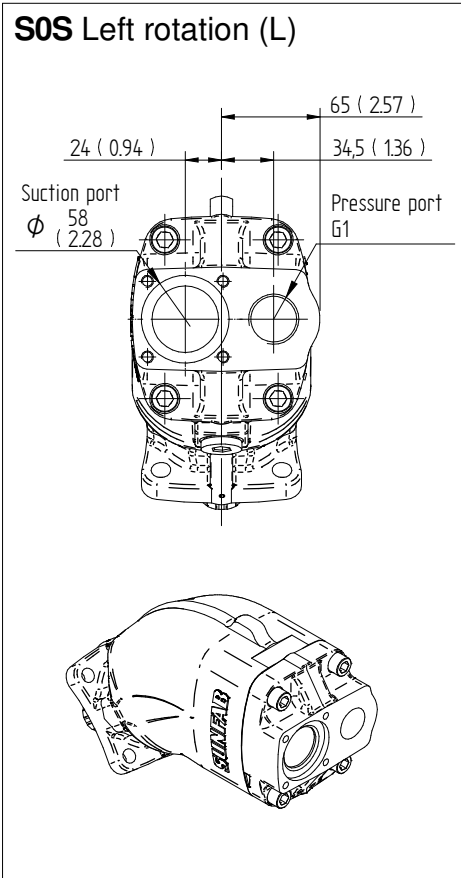
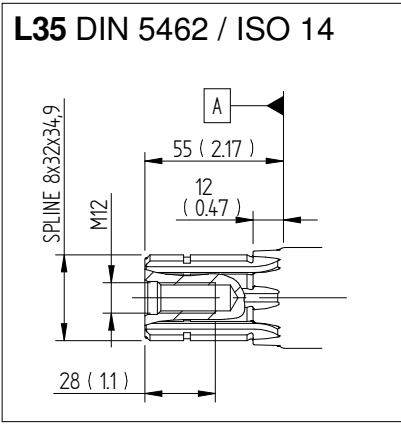
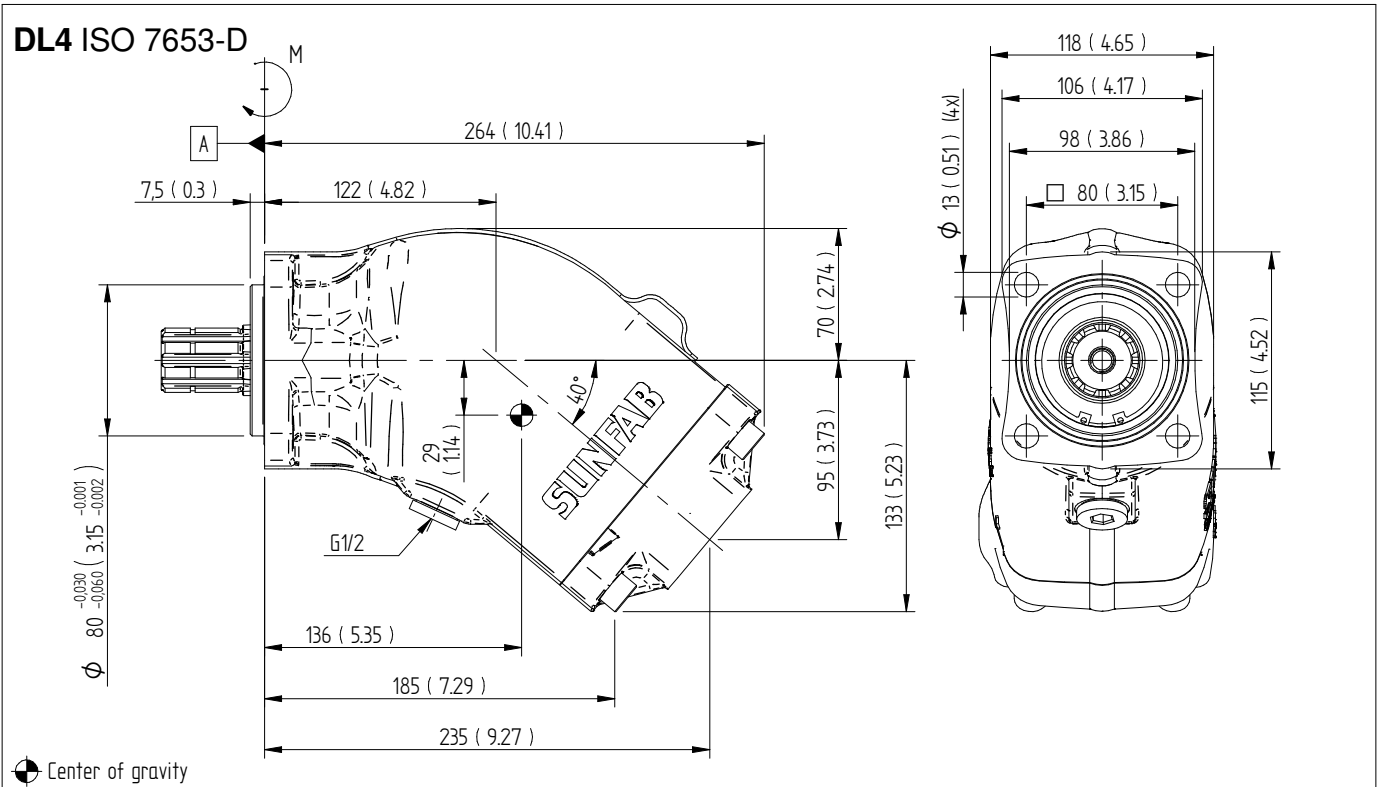


H35 DIN 5462 / ISO 14



Dimensions SAP 084-108 DIN, SAPT 130 DIN

Millimeter (inch)





WARNING!

When the pump is running:

1. Do not touch the pressure hose
2. Watch out for rotating parts
3. The pump and hoses may be hot

Sunfab reserves the right to make changes in design and dimensions without notice. Printing and typesetting errors reserved.

© Copyright 2021 Sunfab Hydraulics AB. All Rights Reserved.