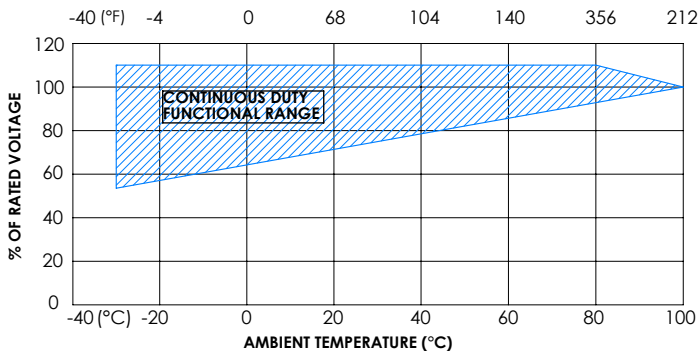


COIL

# COIL SERIES M7



CURVES



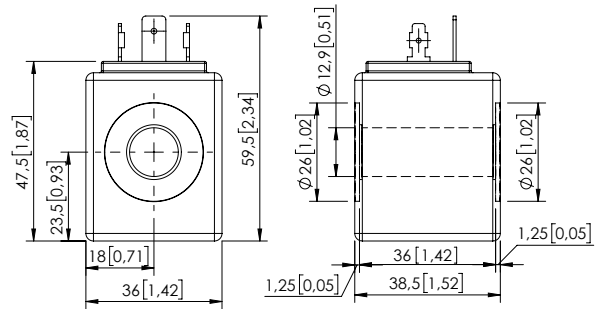
SPECIFICATION - NOTES

Heat insulation	Class H (180°C) (356°F)
Insulation class	See table (with all seals properly mounted)
Weight	See table
Ambient temperature	See graph
Inlet voltage	See graph
Contamination class to ISO 4406:	See technical spec.
MTF <sub>a</sub> :	150 - 1200 years: See technical spec.

ED 100% in the functional range area.  
 Do not exceed the functional range.  
 For applications with working range close to graph limit please contact AFT sales network.  
 The seals supplied with the valve must be properly mounted.  
 Please refer to catalogue technical chapter for more info.  
 For other configurations/quick codes not available in this catalogue page please consult factory

DIN 43650 - ISO 4400

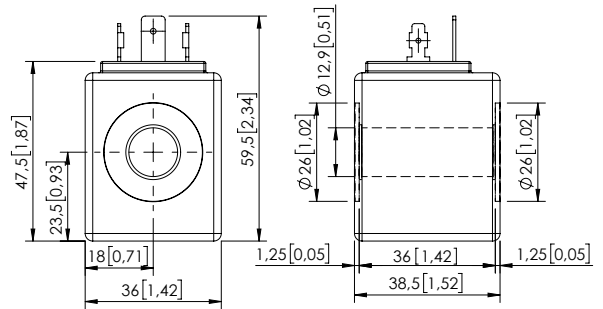
Code parts	Description	Voltage	Resistance (±7%)	Power (W)	Current (A)	Insul. class	Weight
AB000002	M7 HS 12V Class H	12 DC	7,2	20	1,67	IP65	0,217 kg (0,48 lbs)
AB000018	M7 HS 14V Class H	14 DC	9,8	20	1,43		
AB000003	M7 HS 24V Class H	24 DC	28,8	20	0,83		
AB000004	M7 HS 26V Class H	26 DC	33,8	20	0,77		
AB000043	M7 HS 10,5V Class H	10,5 DC	5,5	20	1,90		
AB000046	M7 HS 48V Class H	48 DC	115,2	20	0,42		



Dimensions: mm [inches]

DIN 43650 - ISO 4400 RAC VERSION

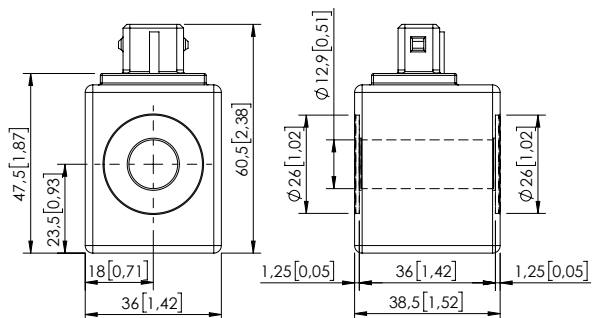
Code parts	Description	Voltage	Resistance (±7%)	Power (W)	Current (A)	Insul. class	Weight
AB000011	M7 HS 24V Class H	24 RAC	23,1	20	0,9	IP65	0,217 kg (0,48 lbs)
AB000012	M7 HS 110V Class H	110 RAC	605	20	0,18		
AB000007	M7 HS 220V Class H	220 RAC	2140	20	0,09		



Dimensions: mm [inches]

AMP JUNIOR

Code parts	Description	Voltage	Resistance (±7%)	Power (W)	Current (A)	Insul. class	Weight
AB000005	M7 AJ 12V Class H	12 DC	7,2	20	1,67	IP67	0,217 kg (0,48 lbs)
AB000014	M7 AJ 24V Class H	24 DC	28,8	20	0,83		
AB000010	M7 AJ 26V Class H	26 DC	33,8	20	0,77		



Dimensions: mm [inches]  
 Revision B1

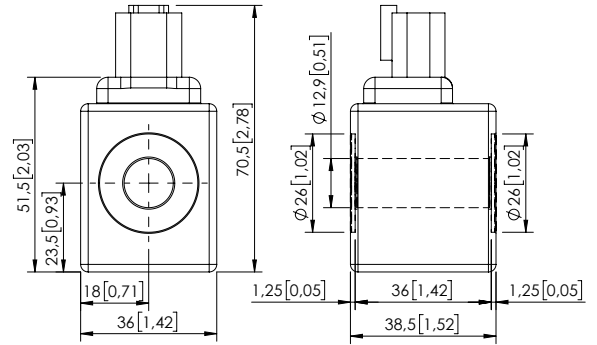
# COIL SERIES M7



## DEUTSCH DT04-2P-L

Code parts	Description	Voltage	Resistance (±7%)	Power (W)	Current (A)	Insul. class	Weight
AB000001	M7 DT 12V Class H	12 DC	7,2	20	1,67	IP69	0,217 kg (0,48 lbs)
AB000008	M7 DT 24V Class H	24 DC	28,8	20	0,83		

With bi-directional diode.

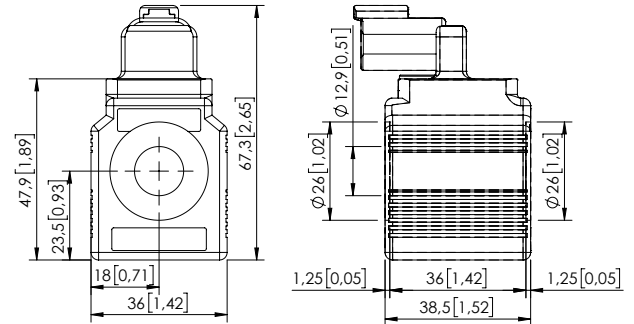


Dimensions: mm [inches]

## DEUTSCH DT04-2P-V

Code parts	Description	Voltage	Resistance (±7%)	Power (W)	Current (A)	Insul. class	Weight
AB000022	M7 DTV 12V Class H	12 DC	7,2	20	1,67	IP69	0,217 kg (0,48 lbs)
AB000229	M7 DTV 14V Class H	14 DC	9,8	20	1,43		
AB000023	M7 DTV 24V Class H	24 DC	28,8	20	0,83		
AB000024	M7 DTV 26V Class H	26 DC	33,8	20	0,77		
AB000230	M7 DTV 28V Class H	28 DC	39,4	20	0,71		

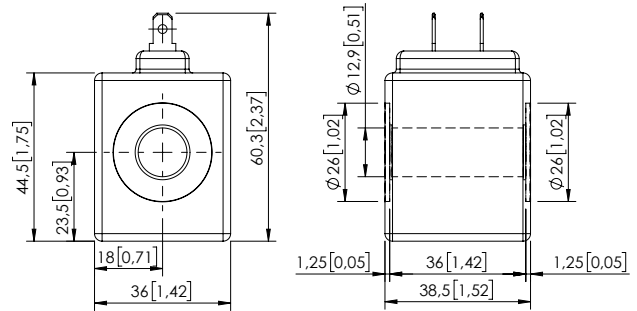
With bi-directional diode.



Dimensions: mm [inches]

## DUAL SPADES

Code parts	Description	Voltage	Resistance (±7%)	Power (W)	Current (A)	Insul. class	Weight
AB000259	M7 DS 12V Class H	12 DC	7,2	20	1,67	IP65	0,217 kg (0,48 lbs)
AB000253	M7 DS 10V Class H	10 DC	5	20	2		
AB000260	M7 DS 24V Class H	24 DC	28,8	20	0,83		



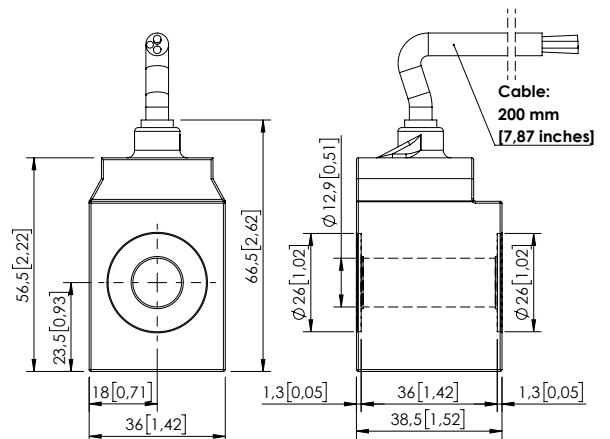
Dimensions: mm [inches]

## CABLE

Code parts	Description	Voltage	Resistance (±7%)	Power (W)	Current (A)	Insul. class	Weight
AB000039	M7 CV 12V Class H	12 DC	7,2	20	1,67	IP65	0,217 kg (0,48 lbs)
AB000114	M7 CV 24V Class H	24 DC	28,8	20	0,83		

Code parts	Description	Voltage	Resistance (±7%)	Power (W)	Current (A)	Insul. class	Weight
AB000113	M7 CV 12V Class H	12 DC	7,2	20	1,67	IP65	0,217 kg (0,48 lbs)
AB000103	M7 CV 24V Class H	24 DC	28,8	20	0,83		

With bi-directional diode.



Dimensions: mm [inches]  
Revision B1