

OIIIIT
HYDRAULIC COMPONENTS

IT EN

FLANGE
RACCORDI
BLOCCHI

FLANGES
COUPLING
MANIFOLD BLOCKS





INDEX

FLANGE
RACCORDI
BLOCCHI

FLANGES
COUPLINGS
MANIFOLD BLOCKS

AZIENDA COMPANY p. 2

01

FLANGE SAE	SAE FLANGES	p. 5
Flange SAE filettate GAS	BSP threaded SAE flanges	p. 7
Flange SAE filettate NPT	NPT threaded SAE flanges	p. 8
Flange SAE a saldare di tasca	Weld in SAE flanges	p. 9
Flange SAE a saldare di testa	Weld on SAE flanges	p. 10
Controflangia SAE filettata GAS	BSP threaded SAE counterflanges	p. 11
Controflangia SAE a saldare di tasca	Weld in SAE counterflanges	p. 12
Controflangia SAE a saldare di testa	Weld on SAE counterflanges	p. 13
Flange doppie SAE filettate GAS	BSP threaded double SAE flanges	p. 14
Flange doppie a saldare di tasca	Weld in double flanges	p. 15
Flange doppie a saldare di testa	Weld on double flanges	p. 16
Flangia cieca	Blind flanges	p. 17
Flange SAE filettate GAS 90°	90° BSP threaded SAE flanges	p. 18
Flange SAE filettate NPT 90°	90° NPT threaded SAE flanges	p. 19
Flange SAE a saldare di tasca a 90°	90° weld in SAE flanges	p. 20
Flange SAE a saldare di testa a 90°	90° weld on SAE flanges	p. 21
Semiflangia SAE intera	Uncut SAE split flanges	p. 22
Semiflangia SAE intera con fori filettati metrici	Uncut SAE split flanges with metric threaded fixing holes	p. 23
Semiflangia SAE tagliata	SAE split flanges	p. 24
Codoli SAE a saldare di testa	Weld on SAE adaptors	p. 25
Flangia SAE 90° - L BLOCK	SAE 90° - L BLOCK flanges	p. 26
Flangia SAE riduzione 90°	90° SAE reduction BLOCKS	p. 27
Flangia SAE - T BLOCK	SAE - T BLOCK flanges	p. 28

02

RACCORDI PER POMPE AD INGRANAGGI	COUPLINGS FOR GEAR PUMPS	p. 31
Raccordo versione	Coupling version	
RP		p. 32
RPA		p. 33
RA		p. 34
RIA		p. 35
RB		p. 36
RGAT		p. 37
RBA		p. 38
RDA		p. 39
Raccordi dritti	Straight coupling	p. 40
RPGA		p. 41
RSA		p. 42
RCA		p. 43

03

BLOCCHI CETOP	CETOP MANIFOLD BLOCKS	p. 45
CETOP 3 - NG 06		p. 46 ÷ 55
CETOP 5 - NG 010		p. 56 ÷ 62
Accessori	Accessories	p. 63 ÷ 64



▶ PROGETTAZIONE PROJECTS

Il moderno e qualificato ufficio tecnico progetta e sviluppa nuovi prodotti ed esegue progetti speciali su richiesta del cliente.

The modern and qualified technical Department is skilled in designing and develop new products and it is ready to support every customer's request with special solutions.



▶ QUALITÀ QUALITY

È un punto di forza di OMT e viene costantemente controllata nella moderna e attrezzata sala prove. OMT è conforme ai requisiti del Sistema Gestione Qualità ISO 9001:2015.

Is a strong point of OMT and it is constantly monitored in the modern and equipped test room. OMT complies with the requirements of the standard for the Quality Management System ISO 9001:2015.



▶ INDUSTRIA 4.0 INDUSTRY 4.0

OMT ha conseguito l'attestazione di conformità come industria 4.0: la nostra produzione industriale è del tutto automatizzata e interconnessa.

OMT obtained the certificate of conformity as Industry 4.0: our industrial production is completely automated and interconnected.



▶ MAGAZZINO WAREHOUSE

La tempestività della consegna è garantita dal magazzino di 1.800 mq e dalla gestione informatizzata.

The timeliness of the delivery is guaranteed by the warehouse of 1,800 square meters and the computerized management.



▶ OMT GROUP WORLDWIDE

La rete commerciale, preparata ed efficiente, offre un servizio ed una consulenza in tutto il mondo e in tempi rapidi.

The commercial network, prepared and efficient, offers a service and advice around the world and timely.

▶ MADE IN ITALY

L'intera gamma prodotti è realizzata internamente.

The whole product range is made in Italy.



OMT HYDRAULIC COMPONENTS

è l'azienda del gruppo
per i componenti idraulici.

LUEN VALVES

è l'azienda del gruppo
per le valvole idrauliche
e i componenti integrati.

**INSIEME NEL SETTORE
DELL'OLEODINAMICA.**

OMT HYDRAULIC COMPONENTS

is the group's company
for hydraulic components.

LUEN VALVES

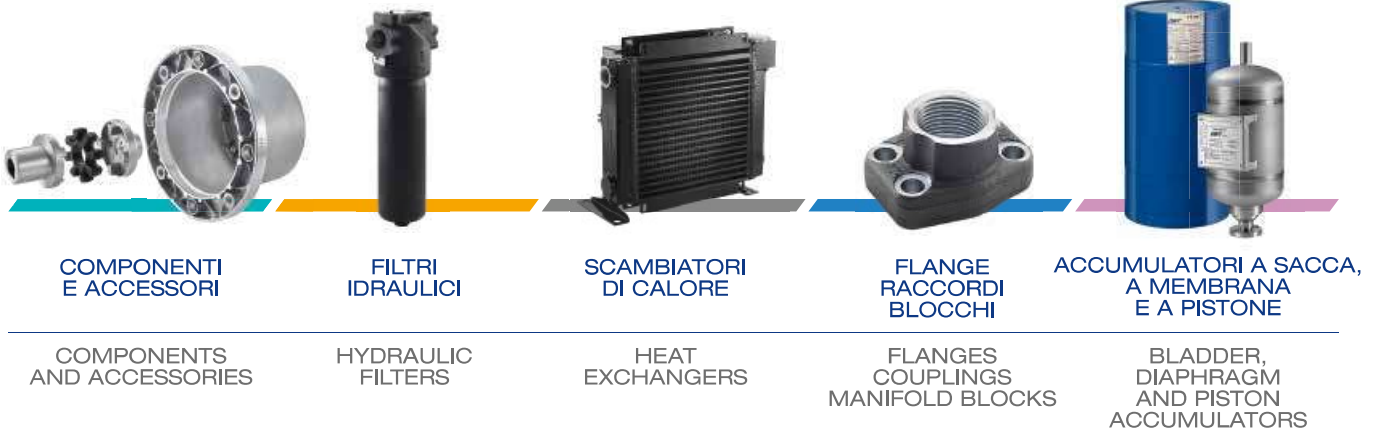
is the group's company
for hydraulic valves
and integrated components.

**TOGETHER IN THE
HYDRAULIC INDUSTRY.**

5

MACROGRUPPI DI PRODOTTI

MAIN RANGES OF PRODUCTS



COMPONENTI
E ACCESSORI

COMPONENTS
AND ACCESSORIES

FILTRI
IDRAULICI

HYDRAULIC
FILTERS

SCAMBIATORI
DI CALORE

HEAT
EXCHANGERS

FLANGE
RACCORDI
BLOCCHI

FLANGES
COUPLINGS
MANIFOLD BLOCKS

ACCUMULATORI A SACCA,
A MEMBRANA
E A PISTONE

BLADDER,
DIAPHRAGM
AND PISTON
ACCUMULATORS

Realizzate in acciaio, le flange SAE possono essere filettate GAS e NPT, a saldare di tasca e di testa, normali e 90°. Analogamente per flange doppie e controflange. Flange cieche, semiflange SAE intere e tagliate, flange CETOP, codoli SAE completano la gamma.

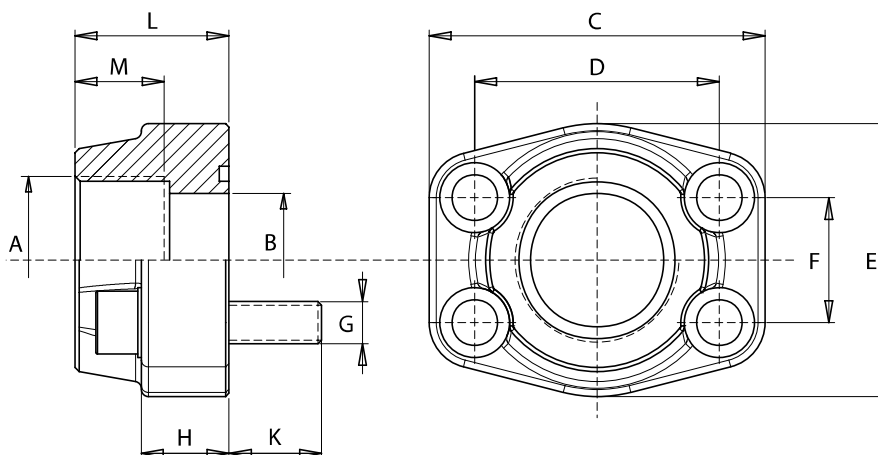
Made of steel, the SAE flanges can be threaded GAS and NPT, weld in and weld on, standard and 90°. The same for double flanges and counterflanges. Blind flanges, cut and uncut SAE split flanges, CETOP flanges, SAE adaptors complete the range.



FLANGE SAE
SAE FLANGES



Materiale: acciaio
Material: steel



3000 psi

PRESS. MAX bar	TIPO TYPE	A SAE	B	L	H	M	K	C	D	E	F	G Viti/Screws		O-Rings
												Metr.	UNC	
345	F080G038	3/8"	13	36	16	13	14	58	38,10	48	17,48	M8	5/16"	4075
345	F080G012	1/2"	13	36	16	15	14	58	38,10	48	17,48	M8	5/16"	4075
345	F100G034	3/4"	19	36	18	18	16	67	47,63	50	22,23	M10	3/8"	4100
345	F102G100	1"	25	38	18	20	16	72	52,37	54	26,19	M10	3/8"	4131
275	F104G114	1 1/4"	31	41	21	22	18	81	58,72	70	30,18	M10	7/16"	4150
200	F106G112	1 1/2"	38	44	25	24	18	95	69,85	78	35,71	M12	1/2"	4187
200	F108G200	2"	50	45	25	26	18	104	77,77	90	42,88	M12	1/2"	4225
170	F110G212	2 1/2"	63	50	25	30	18	116	88,90	102	50,80	M12	1/2"	4275
135	F112G300	3"	73	50	27	30	25	136	106,38	125	61,93	M16	5/8"	4337
35	F114G312	3 1/2"	89	50	27	30	25	153	120,65	137	69,85	M16	5/8"	4387
35	F116G400	4"	99	50	27	30	25	163	130,18	147	77,77	M16	5/8"	4437
35	F118G500	5"	120	50	28	30	25	185	152,40	181	92,08	M16	5/8"	4537

6000 psi

PRESS. MAX bar	TIPO TYPE	A SAE	B	L	H	M	K	C	D	E	F	G Viti/Screws		O-Rings
												Metr.	UNC	
420	F401G038	3/8"	13	36	16	13	14	58	40,49	48	18,24	M8	5/16"	4075
420	F401G012	1/2"	13	36	16	15	14	58	40,49	48	18,24	M8	5/16"	4075
420	F402G034	3/4"	19	36	19	18	16	72	50,80	54	23,80	M10	3/8"	4100
420	F403G100	1"	25	44	24	20	19	81	57,15	70	27,76	M12	7/16"	4131
420	F404G114	1 1/4"	31	44	27	22	22	95	66,68	78	31,75	M14	1/2"	4150
420	F405G112	1 1/2"	38	51	30	24	24	107	79,38	90	36,50	M16	5/8"	4187
420	F406G200	2"	50	70	37	33	32	136	96,82	117	44,45	M20	3/4"	4225
420	F408G212	2 1/2"	63	75	45	35	40	167	123,80	151	58,70	M24	-	4275
420	F410G300	3"	73	90	55	40	55	209	152,40	179	71,40	M30	-	4337

Esempio codice di ordinazione - Ordering example

Flangia
Flange

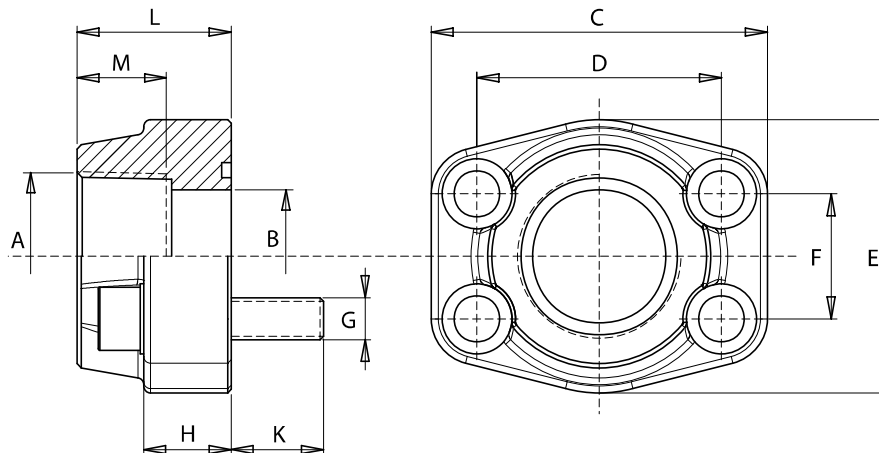
F404 G114 -

M Viti metriche, rondelle, O-Rings
Metrical screws, washers, O-Rings

U Viti UNC, rondelle, O-Rings
UNC screws, washers, O-Rings

(brunite - burnished)

Materiale: acciaio
 Material: steel



3000 psi

PRESS. MAX bar	TIPO TYPE	A SAE	B	L	H	M	K	C	D	E	F	G		O-Rings
												Viti/Screws	O-Rings	
												Metr.	UNC	
345	F080N038	3/8"	13	36	16	19	14	58	38,10	48	17,48	M8	5/16"	4075
345	F080N012	1/2"	13	36	16	19	14	58	38,10	48	17,48	M8	5/16"	4075
345	F100N034	3/4"	19	36	18	19	16	67	47,63	50	22,23	M10	3/8"	4100
345	F102N100	1"	25	38	18	19	16	72	52,37	54	26,19	M10	3/8"	4131
275	F104N114	1 1/4"	31	41	21	22	18	81	58,72	70	30,18	M10	7/16"	4150
200	F106N112	1 1/2"	38	44	25	24	18	95	69,85	78	35,71	M12	1/2"	4187
200	F108N200	2"	50	45	25	26	18	104	77,77	90	42,88	M12	1/2"	4225
170	F110N212	2 1/2"	63	50	25	30	18	116	88,90	102	50,80	M12	1/2"	4275
135	F112N300	3"	73	50	27	34	25	136	106,38	125	61,93	M16	5/8"	4337
35	F114N312	3 1/2"	89	50	27	36	25	153	120,65	137	69,85	M16	5/8"	4387
35	F116N400	4"	99	50	27	36	25	163	130,18	147	77,77	M16	5/8"	4437
35	F118N500	5"	120	50	28	36	25	185	152,40	181	92,08	M16	5/8"	4537

6000 psi

PRESS. MAX bar	TIPO TYPE	A SAE	B	L	H	M	K	C	D	E	F	G		O-Rings
												Viti/Screws	O-Rings	
												Metr.	UNC	
420	F401N038	3/8"	13	36	16	19	14	58	40,49	48	18,24	M8	5/16"	4075
420	F401N012	1/2"	13	36	16	19	14	58	40,49	48	18,24	M8	5/16"	4075
420	F402N034	3/4"	19	36	19	22	16	72	50,80	54	23,80	M10	3/8"	4100
420	F403N100	1"	25	44	24	24	19	81	57,15	70	27,76	M12	7/16"	4131
420	F404N114	1 1/4"	31	44	27	25	22	95	66,68	78	31,75	M14	1/2"	4150
420	F405N112	1 1/2"	38	51	30	28	24	107	79,38	90	36,50	M16	5/8"	4187
420	F406N200	2"	50	70	37	33	32	136	96,82	117	44,45	M20	3/4"	4225
420	F408N212	2 1/2"	63	75	45	35	40	167	123,80	151	58,70	M24	-	4275
420	F410N300	3"	73	90	55	40	55	209	152,40	179	71,40	M30	-	4337

Esempio codice di ordinazione - Ordering example

Flangia
 Flange

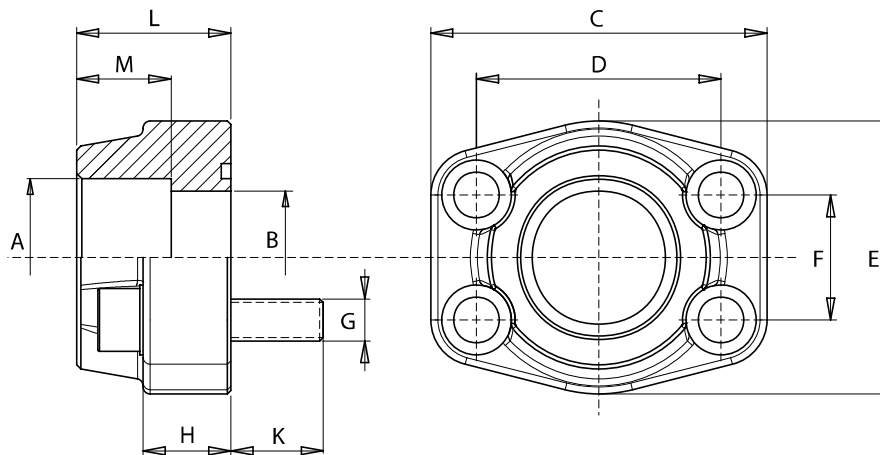
F404 N114 -

M Viti metriche, rondelle, O-Rings
 Metrical screws, washers, O-Rings

U Viti UNC, rondelle, O-Rings
 UNC screws, washers, O-Rings

(brunite - burnished)

Materiale: acciaio
Material: steel



3000 psi

PRESS. MAX bar	TIPO TYPE	A	S.A.E.	B	L	H	M	K	C	D	E	F	G		O-Rings
													Viti / Screws	O-Rings	
													Metr.	UNC	
345	FS080038	17,5	3/8"	13	36	16	18	14	58	38,10	48	17,48	M8	5/16"	4075
345	FS080012	21,6	1/2"	13	36	16	18	14	58	38,10	48	17,48	M8	5/16"	4075
345	FS100034	27,2	3/4"	19	36	18	18	16	67	47,63	50	22,23	M10	3/8"	4100
345	FS102100	34,1	1"	25	38	18	18	16	71	52,37	54	26,19	M10	3/8"	4131
275	FS104114	42,8	1 1/4"	31	41	21	20	18	81	58,72	70	30,18	M10	7/16"	4150
200	FS106112	48,6	1 1/2"	38	44	25	22	18	95	69,85	78	35,71	M12	1/2"	4187
200	FS108200	61	2"	50	45	25	24	18	104	77,77	90	42,88	M12	1/2"	4225
170	FS110212	76,6	2 1/2"	63	50	25	28	18	116	88,90	102	50,80	M12	1/2"	4275
135	FS112300	90,5	3"	73	50	27	28	25	136	106,38	125	61,93	M16	5/8"	4337
35	FS114312	103	3 1/2"	89	50	27	28	25	154	120,65	138	69,85	M16	5/8"	4387
35	FS116400	115,5	4"	99	50	27	28	25	164	130,18	148	77,77	M16	5/8"	4437
35	FS118500	142	5"	120	50	28	28	25	185	152,40	181	92,08	M16	5/8"	4537

6000 psi

PRESS. MAX bar	TIPO TYPE	A	S.A.E.	B	L	H	M	K	C	D	E	F	G		O-Rings
													Viti / Screws	O-Rings	
													Metr.	UNC	
420	FS401038	17,5	3/8"	13	36	16	18	14	58	40,49	48	18,24	M8	5/16"	4075
420	FS401012	21,6	1/2"	13	36	16	18	14	58	40,49	48	18,24	M8	5/16"	4075
420	FS402034	27,2	3/4"	19	36	19	20	16	72	50,80	54	23,80	M10	3/8"	4100
420	FS403100	34,1	1"	25	44	24	22	19	81	57,15	67	27,76	M12	7/16"	4131
420	FS404114	42,8	1 1/4"	31	44	27	22	22	95	66,68	78	31,75	M14	1/2"	4150
420	FS405112	48,6	1 1/2"	38	51	30	24	24	107	79,38	90	36,50	M16	5/8"	4187
420	FS406200	61	2"	50	70	37	25	32	136	96,82	117	44,45	M20	3/4"	4225
420	FS408212	76,6	2 1/2"	63	75	45	28	40	167	123,80	151	58,70	M24	-	4275
420	FS410300	90,5	3"	73	90	55	30	55	209	152,40	179	71,40	M30	-	4337

Esempio codice di ordinazione - Ordering example

Flangia
Flange

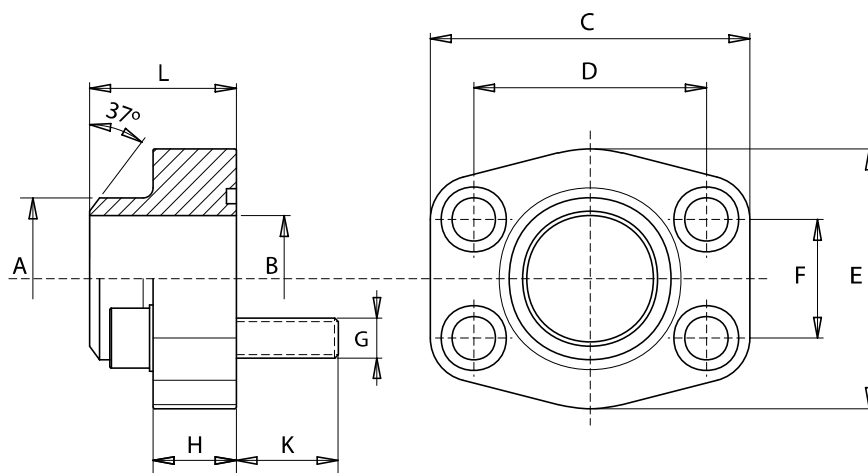
FS 108 200 -

M Viti metriche, rondelle, O-Rings
Metrical screws, washers, O-Rings

U Viti UNC, rondelle, O-Rings
UNC screws, washers, O-Rings

(brunite - burnished)

Materiale: acciaio
 Material: steel



3000 psi

PRESS. MAX bar	TIPO TYPE	A	S.A.E.	B	L	H	K	C	D	E	F	G		O-Rings
												Viti/Screws	O-Rings	
												Metr.	UNC	
345	FT080012	21,6	1/2"	13	36	16	14	58	38,10	48	17,48	M8	5/16"	4075
345	FT100034	27,2	3/4"	19	36	18	16	67	47,63	50	22,23	M10	3/8"	4100
345	FT102100	34,5	1"	25	38	18	16	71	52,37	54	26,19	M10	3/8"	4131
275	FT104114	42,8	1 1/4"	31	41	21	18	81	58,72	70	30,18	M10	7/16"	4150
200	FT106112	48,6	1 1/2"	38	44	25	18	95	69,85	78	35,71	M12	1/2"	4187
200	FT108200	61	2"	50	45	25	18	104	77,77	90	42,88	M12	1/2"	4225
170	FT110212	76,6	2 1/2"	63	50	25	18	116	88,90	102	50,80	M12	1/2"	4275
135	FT112300	89	3"	73	50	27	25	136	106,38	125	61,93	M16	5/8"	4337
35	FT114312	103	3 1/2"	89	50	27	25	154	120,65	138	69,85	M16	5/8"	4387
35	FT116400	115	4"	99	50	27	25	164	130,18	148	77,77	M16	5/8"	4437
35	FT118500	141	5"	120	50	28	25	185	152,40	181	92,08	M16	5/8"	4537

6000 psi

PRESS. MAX bar	TIPO TYPE	A	S.A.E.	B	L	H	K	C	D	E	F	G		O-Rings
												Viti/Screws	O-Rings	
												Metr.	UNC	
420	FT401038	17,5	3/8"	10	36	18	14	58	40,49	48	18,24	M8	5/16"	4075
420	FT401012	21,6	1/2"	13	36	18	14	58	40,49	48	18,24	M8	5/16"	4075
420	FT402034	27,2	3/4"	18	36	18	16	72	50,80	54	23,80	M10	3/8"	4100
420	FT403100	34,5	1"	22	44	24	19	81	57,15	67	27,76	M12	7/16"	4131
420	FT404114	42,8	1 1/4"	28	44	25	22	95	66,68	78	31,75	M14	1/2"	4150
420	FT405112	48,6	1 1/2"	32	51	29	24	107	79,38	90	36,50	M16	5/8"	4187
420	FT406200	61	2"	41	70	35	32	136	96,82	117	44,45	M20	3/4"	4225
420	FT408212	76,6	2 1/2"	50	75	45	40	167	123,80	151	58,70	M24	-	4275
420	FT410300	90	3"	58	90	55	55	209	152,40	179	71,40	M30	-	4337

Esempio codice di ordinazione - Ordering example

Flangia
 Flange

FT404 114 -

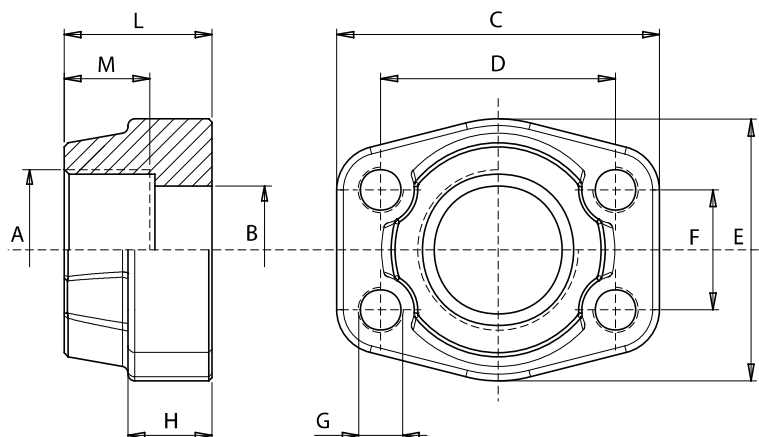
M Viti metriche, rondelle, O-Rings
 Metrical screws, washers, O-Rings

U Viti UNC, rondelle, O-Rings
 UNC screws, washers, O-Rings

(brunite - burnished)

Su richiesta: - On request:

Materiale: acciaio
 Material: steel



3000 psi

PRESS. MAX bar	TIPO TYPE	A SAE	B	L	H	M	C	D	E	F	G	
											Metr.	UNC
345	CFM080G038	3/8"	13	36	16	19	58	38,10	48	17,48	M8	5/16"
345	CFM080G012	1/2"	13	36	16	19	58	38,10	48	17,48	M8	5/16"
345	CFM100G034	3/4"	19	36	18	19	67	47,63	50	22,23	M10	3/8"
345	CFM102G100	1"	25	38	18	19	72	52,37	54	26,19	M10	3/8"
275	CFM104G114	1 1/4"	31	41	21	22	81	58,72	70	30,18	M10	7/16"
200	CFM106G112	1 1/2"	38	44	25	24	95	69,85	78	35,71	M12	1/2"
200	CFM108G200	2"	50	45	25	26	104	77,77	90	42,88	M12	1/2"
170	CFM110G212	2 1/2"	63	50	25	30	116	88,90	102	50,80	M12	1/2"
135	CFM112G300	3"	73	50	27	34	136	106,38	125	61,93	M16	5/8"
35	CFM114G312	3 1/2"	89	50	27	27	153	120,65	137	69,85	M16	5/8"
35	CFM116G400	4"	99	50	27	30	163	130,18	147	77,77	M16	5/8"
35	CFM118G500	5"	120	50	28	30	185	152,40	181	92,08	M16	5/8"

6000 psi

PRESS. MAX bar	TIPO TYPE	A SAE	B	L	H	M	C	D	E	F	G	
											Metr.	UNC
420	CFM401G038	3/8"	13	36	16	19	58	40,49	48	18,24	M8	5/16"
420	CFM401G012	1/2"	13	36	16	19	58	40,49	48	18,24	M8	5/16"
420	CFM402G034	3/4"	19	36	19	22	72	50,80	54	23,80	M10	3/8"
420	CFM403G100	1"	25	44	24	24	81	57,15	70	27,76	M12	7/16"
420	CFM404G114	1 1/4"	31	44	27	25	95	66,68	78	31,75	M14	1/2"
420	CFM405G112	1 1/2"	38	51	30	28	107	79,38	90	36,50	M16	5/8"
420	CFM406G200	2"	50	70	37	33	136	96,82	117	44,45	M20	3/4"
420	CFM408G212	2 1/2"	63	75	45	35	167	123,80	151	58,70	M24	-
420	CFM410G300	3"	73	90	55	40	209	152,40	179	71,40	M30	-

Esempio codice di ordinazione - *Ordering example*

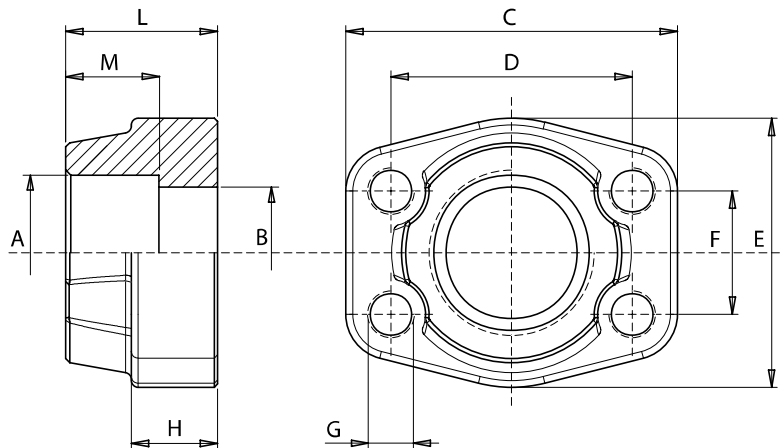
CFM404 G114

Controflangia / Counterflange

M Fori fissaggio filettati metrici / Metric tapholes

U Fori fissaggio filettati UNC / UNC tapholes

Materiale: acciaio
 Material: steel



3000 psi

PRESS. MAX bar	TIPO TYPE	S.A.E.	A	B	L	H	M	C	D	E	F	G	
												Metr.	UNC
345	CFSM080038	3/8"	17,5	13	36	16	18	58	38,10	48	17,48	M8	5/16"
345	CFSM080012	1/2"	21,6	13	36	16	18	58	38,10	48	17,48	M8	5/16"
345	CFSM100034	3/4"	27,2	19	36	18	18	67	47,63	50	22,23	M10	3/8"
345	CFSM102100	1"	34,1	25	38	18	18	72	52,37	54	26,19	M10	3/8"
275	CFSM104114	1 1/4"	42,8	31	41	21	20	81	58,72	70	30,18	M10	7/16"
200	CFSM106112	1 1/2"	48,6	38	44	25	22	95	69,85	78	35,71	M12	1/2"
200	CFSM108200	2"	61	50	45	25	24	104	77,77	90	42,88	M12	1/2"
170	CFSM110212	2 1/2"	76,6	63	50	25	28	116	88,90	102	50,80	M12	1/2"
135	CFSM112300	3"	90,5	73	50	27	28	136	106,38	125	61,93	M16	5/8"
35	CFSM114312	3 1/2"	103	89	50	27	28	153	120,65	137	69,85	M16	5/8"
35	CFSM116400	4"	115,5	99	50	27	28	163	130,18	147	77,77	M16	5/8"
35	CFSM118500	5"	142	120	50	28	28	185	152,40	181	92,08	M16	5/8"

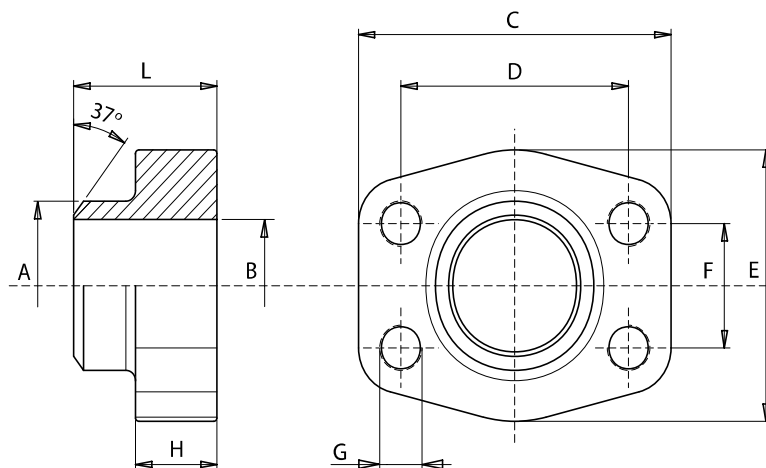
6000 psi

PRESS. MAX bar	TIPO TYPE	S.A.E.	A	B	L	H	M	C	D	E	F	G	
												Metr.	UNC
420	CFSM401038	3/8"	17,5	13	36	16	18	58	40,49	48	18,24	M8	5/16"
420	CFSM401012	1/2"	21,6	13	36	16	18	58	40,49	48	18,24	M8	5/16"
420	CFSM402034	3/4"	27,2	19	36	19	20	72	50,80	54	23,80	M10	3/8"
420	CFSM403100	1"	34,1	25	44	24	22	81	57,15	68	27,76	M12	7/16"
420	CFSM404114	1 1/4"	42,8	31	44	27	22	95	66,68	78	31,75	M14	1/2"
420	CFSM405112	1 1/2"	48,6	38	51	30	24	107	79,38	90	36,50	M16	5/8"
420	CFSM406200	2"	61	50	70	37	25	136	96,82	117	44,45	M20	3/4"
420	CFSM408212	2 1/2"	76,6	63	75	45	28	167	123,80	151	58,70	M24	-
420	CFSM410300	3"	90,5	73	90	55	30	209	152,40	179	71,40	M30	-

Esempio codice di ordinazione - Ordering example

CFSM404 114
 Controflangia / Counterflange
M Fori fissaggio filettati metrici / Metric tapholes
U Fori fissaggio filettati UNC / UNC tapholes

Materiale: acciaio
 Material: steel



3000 psi

PRESS. MAX bar	TIPO TYPE	S.A.E.	A	B	L	H	C	D	E	F	G	
											Metr.	UNC
345	CFTM080012	1/2"	21,6	13	36	16	58	38,10	48	17,48	M8	5/16"
345	CFTM100034	3/4"	27,2	19	36	18	67	47,63	50	22,23	M10	3/8"
345	CFTM102100	1"	34,5	25	38	18	72	52,37	54	26,19	M10	3/8"
275	CFTM104114	1 1/4"	42,8	31	41	21	81	58,72	70	30,18	M10	7/16"
200	CFTM106112	1 1/2"	48,6	38	44	25	95	69,85	78	35,71	M12	1/2"
200	CFTM108200	2"	61	50	45	25	104	77,77	90	42,88	M12	1/2"
170	CFTM110212	2 1/2"	76,6	63	50	25	116	88,90	102	50,80	M12	1/2"
135	CFTM112300	3"	89	73	50	27	136	106,38	125	61,93	M16	5/8"
35	CFTM114312	3 1/2"	103	89	50	27	153	120,65	137	69,85	M16	5/8"
35	CFTM116400	4"	115	99	50	27	163	130,18	147	77,77	M16	5/8"
35	CFTM118500	5"	141	120	50	28	185	152,40	181	92,08	M16	5/8"

6000 psi

PRESS. MAX bar	TIPO TYPE	S.A.E.	A	B	L	H	C	D	E	F	G	
											Metr.	UNC
420	CFTM401038	3/8"	17,5	10	36	16	58	40,49	48	18,24	M8	5/16"
420	CFTM401012	1/2"	21,6	13	36	16	58	40,49	48	18,24	M8	5/16"
420	CFTM402034	3/4"	27,2	18	36	19	72	50,80	54	23,80	M10	3/8"
420	CFTM403100	1"	34,51	22	44	24	81	57,15	68	27,76	M12	7/16"
420	CFTM404114	1 1/4"	42,8	28	44	27	95	66,68	78	31,75	M14	1/2"
420	CFTM405112	1 1/2"	48,6	32	51	30	107	79,38	90	36,50	M16	5/8"
420	CFTM406200	2"	61	41	70	37	136	96,82	117	44,45	M20	3/4"
420	CFTM408212	2 1/2"	76,6	50	75	45	167	123,80	151	58,70	M24	-
420	CFTM410300	3"	90,5	58	90	55	209	152,40	179	71,40	M30	-

Esempio codice di ordinazione - Ordering example

CFTM404 114

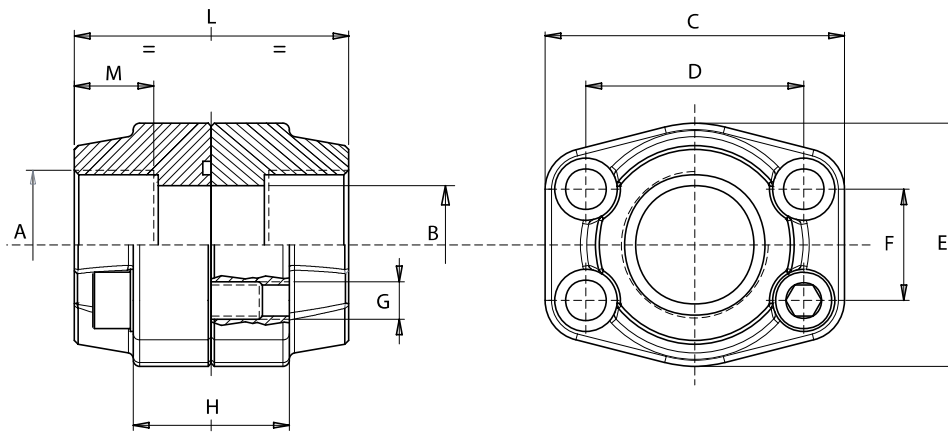
Controflangia / Counterflange

M Fori fissaggio filettati metrici / Metric tapholes

U Fori fissaggio filettati UNC / UNC tapholes

FLANGE DOPPIE SAE FILETTATE GAS BSP THREADED DOUBLE SAE FLANGES

Materiale: acciaio
Material: steel



3000 psi

PRESS. MAX bar	TIPO TYPE	A SAE	B	L	H	M	C	D	E	F	G		O-Rings
											Viti/Screws		
											Metr.	UNC	
345	DF080G038	3/8"	13	72	32	19	58	38,10	48	17,48	M8	5/16"	4075
345	DF080G012	1/2"	13	72	32	19	58	38,10	48	17,48	M8	5/16"	4075
345	DF100G034	3/4"	19	72	36	19	67	47,63	50	22,23	M10	3/8"	4100
345	DF102G100	1"	25	76	36	19	72	52,37	54	26,19	M10	3/8"	4131
275	DF104G114	1 1/4"	31	82	42	22	81	58,72	70	30,18	M10	7/16"	4150
200	DF106G112	1 1/2"	38	88	50	24	95	69,85	78	35,71	M12	1/2"	4187
200	DF108G200	2"	50	90	50	26	104	77,77	90	42,88	M12	1/2"	4225
170	DF110G212	2 1/2"	63	100	50	30	116	88,90	102	50,80	M12	1/2"	4275
135	DF112G300	3"	73	100	54	34	136	106,38	125	61,93	M16	5/8"	4337
35	DF114G312	3 1/2"	89	100	54	27	153	120,65	137	69,85	M16	5/8"	4387
35	DF116G400	4"	99	100	54	30	163	130,18	147	77,77	M16	5/8"	4437
35	DF118G500	5"	120	100	56	30	185	152,40	181	92,08	M16	5/8"	4537

6000 psi

PRESS. MAX bar	TIPO TYPE	A SAE	B	L	H	M	C	D	E	F	G		O-Rings
											Viti/Screws		
											Metr.	UNC	
420	DF401G038	3/8"	13	72	32	19	58	40,49	48	18,24	M8	5/16"	4075
420	DF401G012	1/2"	13	72	32	19	58	40,49	48	18,24	M8	5/16"	4075
420	DF402G034	3/4"	19	72	38	22	72	50,80	54	23,80	M10	3/8"	4100
420	DF403G100	1"	25	88	48	24	81	57,15	70	27,76	M12	7/16"	4131
420	DF404G114	1 1/4"	31	88	54	25	95	66,68	78	31,75	M14	1/2"	4150
420	DF405G112	1 1/2"	38	102	60	28	107	79,38	90	36,50	M16	5/8"	4187
420	DF406G200	2"	50	140	74	33	136	96,82	117	44,45	M20	3/4"	4225
420	DF408G212	2 1/2"	63	150	90	35	167	123,80	151	58,70	M24	-	4275
420	DF410G300	3"	73	180	110	40	209	152,40	179	71,40	M30	-	4337

Esempio codice di ordinazione - Ordering example

DF 404 G114 -

Flangia
Flange

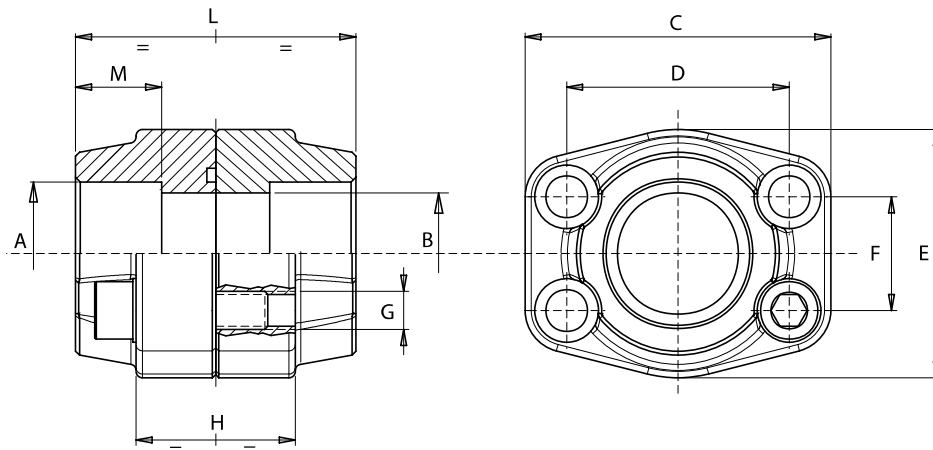
M Viti metriche, rondelle, O-Rings
Metrical screws, washers, O-Rings

U Viti UNC, rondelle, O-Rings
UNC screws, washers, O-Rings

(brunite - burnished)

FLANGE DOPPIE A SALDARE DI TASCA WELD IN DOUBLE FLANGES

Materiale: acciaio
Material: steel



3000 psi

PRESS. MAX bar	TIPO TYPE	S.A.E.	A	B	L	H	M	C	D	E	F	G		O-Rings
												Viti/Screws	O-Rings	
												Metr.	UNC	
345	DFS080038	3/8"	17,5	13	72	32	18	58	38,10	48	17,48	M8	5/16"	4075
345	DFS080012	1/2"	21,6	13	72	32	18	58	38,10	48	17,48	M8	5/16"	4075
345	DFS100034	3/4"	27,2	19	72	36	18	67	47,63	50	22,23	M10	3/8"	4100
345	DFS102100	1"	34,1	25	76	36	18	72	52,37	54	26,19	M10	3/8"	4131
275	DFS104114	1 1/4"	42,8	31	82	42	20	81	58,72	70	30,18	M10	7/16"	4150
200	DFS106112	1 1/2"	48,6	38	88	50	22	95	69,85	78	35,71	M12	1/2"	4187
200	DFS108200	2"	61	50	90	50	24	104	77,77	90	42,88	M12	1/2"	4225
170	DFS110212	2 1/2"	76,6	63	100	50	28	117	88,90	102	50,80	M12	1/2"	4275
135	DFS112300	3"	90,5	73	100	54	28	136	106,38	125	61,93	M16	5/8"	4337
35	DFS114312	3 1/2"	103	89	100	54	28	154	120,65	138	69,85	M16	5/8"	4387
35	DFS116400	4"	115,5	99	100	54	28	164	130,18	148	77,77	M16	5/8"	4437
35	DFS118500	5"	142	120	100	56	28	185	152,40	181	92,08	M16	5/8"	4537

6000 psi

PRESS. MAX bar	TIPO TYPE	S.A.E.	A	B	L	H	M	C	D	E	F	G		O-Rings
												Viti/Screws	O-Rings	
												Metr.	UNC	
420	DFS401038	3/8"	17,5	13	72	32	18	58	40,49	48	18,24	M8	5/16"	4075
420	DFS401012	1/2"	21,6	13	72	32	18	58	40,49	48	18,24	M8	5/16"	4075
420	DFS402034	3/4"	27,2	19	72	38	20	72	50,80	54	23,80	M10	3/8"	4100
420	DFS403100	1"	34,1	25	88	48	22	81	57,15	67	27,76	M12	7/16"	4131
420	DFS404114	1 1/4"	42,8	31	88	54	22	95	66,68	78	31,75	M14	1/2"	4150
420	DFS405112	1 1/2"	48,6	38	102	60	24	107	79,38	90	36,50	M16	5/8"	4187
420	DFS406200	2"	61	50	140	74	25	136	96,82	117	44,45	M20	3/4"	4225
420	DFS408212	2 1/2"	76,6	63	150	90	28	167	123,80	151	58,70	M24	-	4275
420	DFS410300	3"	90,5	73	180	110	30	209	152,40	179	71,40	M30	-	4337

Esempio codice di ordinazione - Ordering example

DFS 104 114 -

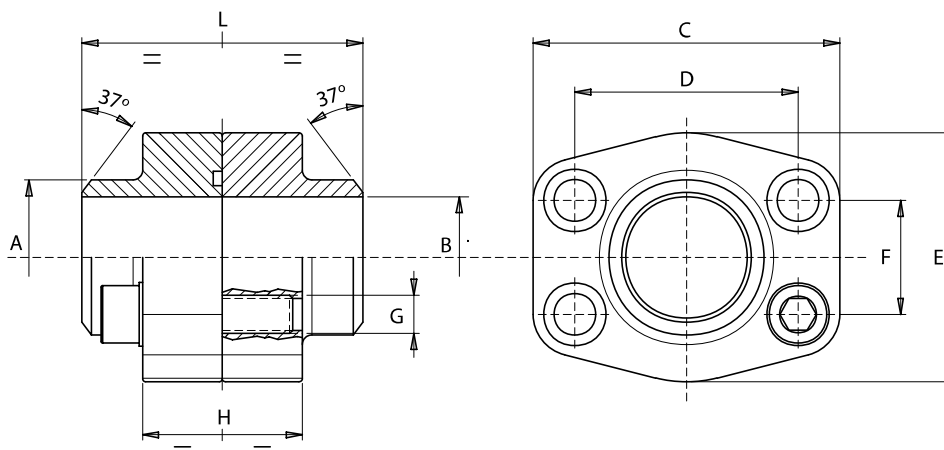
Flangia
Flange

M Viti metriche, rondelle, O-Rings
Metrical screws, washers, O-Rings

U Viti UNC, rondelle, O-Rings
UNC screws, washers, O-Rings
(brunite - burnished)

Materiale: acciaio

Material: steel



3000 psi

PRESS. MAX bar	TIPO TYPE	S.A.E.	A	B	L	H	C	D	E	F	G		O-Rings
											Viti / Screws		
											Metr.	UNC	
345	DFT080012	1/2"	21,6	13	72	32	58	38,10	48	17,48	M8	5/16"	4075
345	DFT100034	3/4"	27,2	19	72	36	67	47,63	50	22,23	M10	3/8"	4100
345	DFT102100	1"	34,5	25	76	36	72	52,37	54	26,19	M10	3/8"	4131
345	DFT104114	1 1/4"	42,8	31	82	42	81	58,72	70	30,18	M10	7/16"	4150
275	DFT106112	1 1/2"	48,6	38	88	50	95	69,85	78	35,71	M12	1/2"	4187
200	DFT108200	2"	61	50	90	50	104	77,77	90	42,88	M12	1/2"	4225
200	DFT110212	2 1/2"	76,6	63	100	50	116	88,90	102	50,80	M12	1/2"	4275
170	DFT112300	3"	89	73	100	54	136	106,38	125	61,93	M16	5/8"	4337
135	DFT114312	3 1/2"	103	89	100	54	154	120,65	138	69,85	M16	5/8"	4387
35	DFT116400	4"	115	99	100	54	164	130,18	148	77,77	M16	5/8"	4437
35	DFT118500	5"	141	120	100	56	185	152,40	181	92,08	M16	5/8"	4537

6000 psi

PRESS. MAX bar	TIPO TYPE	S.A.E.	A	B	L	H	C	D	E	F	G		O-Rings
											Viti / Screws		
											Metr.	UNC	
420	DFT401038	3/8"	17,5	10	72	34	58	40,49	48	18,24	M8	5/16"	4075
420	DFT401012	1/2"	21,6	13	72	34	58	40,49	48	18,24	M8	5/16"	4075
420	DFT402034	3/4"	27,2	18	72	37	72	50,80	54	23,80	M10	3/8"	4100
420	DFT403100	1"	34,5	22	88	48	81	57,15	68	27,76	M12	7/16"	4131
420	DFT404114	1 1/4"	42,8	28	88	52	95	66,68	78	31,75	M14	1/2"	4150
420	DFT405112	1 1/2"	48,6	32	102	59	107	79,38	90	36,50	M16	5/8"	4187
420	DFT406200	2"	61	41	140	72	136	96,82	117	44,45	M20	3/4"	4225
420	DFT408212	2 1/2"	76,6	50	150	90	167	123,80	151	58,70	M24	-	4275
420	DFT410300	3"	90	58	180	110	209	152,40	179	71,40	M30	-	4337

Esempio codice di ordinazione - Ordering example

DFT 404 114 -

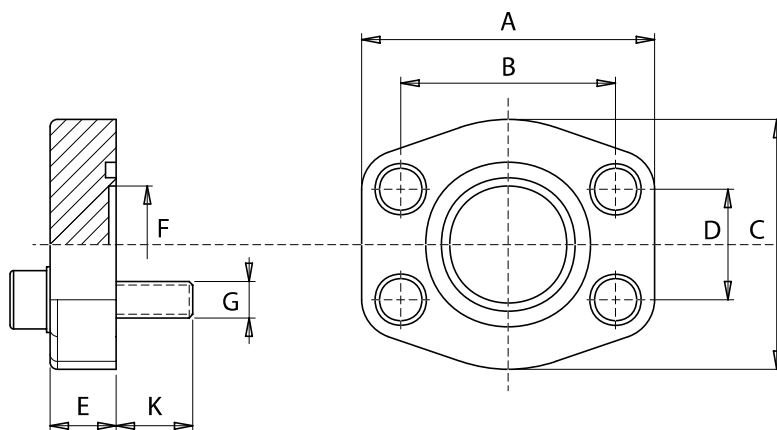
Flangia
Flange

M Viti metriche, rondelle, O-Rings
Metrical screws, washers, O-Rings

U Viti UNC, rondelle, O-Rings
UNC screws, washers, O-Rings

(brunite - burnished)

Materiale: acciaio
Material: steel



3000 psi

PRESS. MAX bar	TIPO TYPE	S.A.E.	A	B	C	D	E	F	K	G		O-Rings
										Viti/Screws		
										Metr.	UNC	
345	C080012	1/2"	58	38,10	48	17,48	16	10	14	M8	5/16"	4075
345	C100034	3/4"	67	47,63	50	22,23	18	15	16	M10	3/8"	4100
345	C102100	1"	72	52,37	54	26,19	19	18	16	M10	3/8"	4131
275	C104114	1 1/4"	80	58,72	70	30,18	21	23	18	M10	7/16"	4150
200	C106112	1 1/2"	96	69,85	78	35,71	24	28	19	M12	1/2"	4187
200	C108200	2"	104	77,77	90	42,88	24	45	19	M12	1/2"	4225
175	C110212	2 1/2"	117	88,90	102	50,80	25	58	19	M12	1/2"	4275
135	C112300	3"	137	106,38	125	61,93	25	70	27	M16	5/8"	4337
35	C114312	3 1/2"	153	120,65	137	69,85	25	85	27	M16	5/8"	4387
35	C116400	4"	163	130,18	147	77,77	25	95	27	M16	5/8"	4437
35	C118500	5"	185	152,40	181	92,08	25	110	27	M16	5/8"	4537

6000 psi

PRESS. MAX bar	TIPO TYPE	S.A.E.	A	B	C	D	E	F	K	G		O-Rings
										Viti/Screws		
										Metr.	UNC	
420	C401012	3/8"	58	40,49	48	18,24	16	10	14	M8	5/16"	4075
420	C402034	3/4"	72	50,80	54	23,80	19	15	16	M10	3/8"	4100
420	C403100	1"	80	57,15	67	27,76	24	22	18	M12	7/16"	4131
420	C404114	1 1/4"	95	66,68	78	31,75	27	30	24	M14	1/2"	4150
420	C405112	1 1/2"	104	79,38	90	36,50	30	35	24	M16	5/8"	4187
420	C406200	2"	136	96,82	124	44,45	35	48	31	M20	3/4"	4225
420	C408212	2 1/2"	167	123,80	150	58,70	45	55	40	M24	-	4275
420	C410300	3"	209	152,4	179	71,40	55	65	45	M30	-	4337

Esempio codice di ordinazione - Ordering example

C 112 300 -

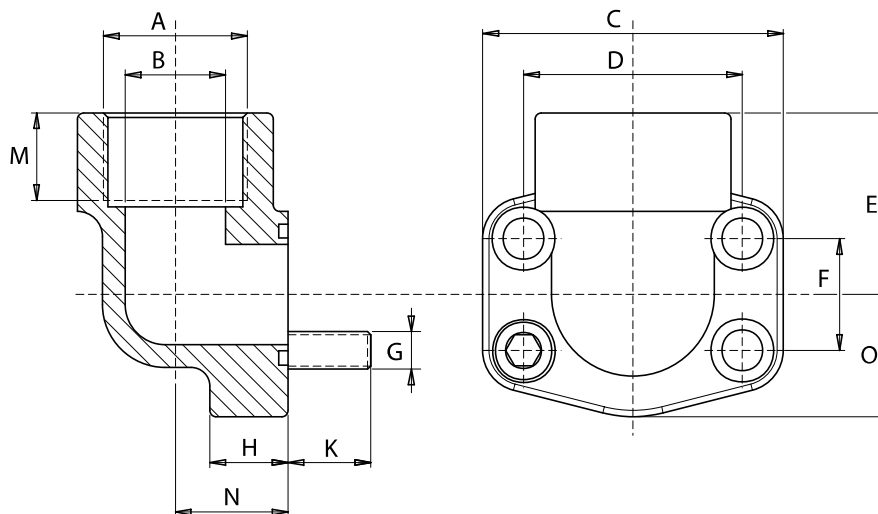
Flangia
Flange

M Viti metriche, rondelle, O-Rings
Metrical screws, washers, O-Rings

U Viti UNC, rondelle, O-Rings
UNC screws, washers, O-Rings

(brunite - burnished)

Su richiesta - On request:

Materiale: acciaio
Material: steel


3000 psi

PRESS. MAX bar	TIPO TYPE	A SAE	B	M	C	D	E	O	F	H	N	K	G		O-Rings
													Viti/Screws Metr.	UNC	
345	F90280G012	1/2"	13	20	58	38,10	37	23	17,48	17	18	13	M8	5/16"	4075
345	F90300G034	3/4"	19	20	69	47,63	39	25	22,23	18	22	15	M10	3/8"	4100
345	F90302G100	1"	25	20	75	52,37	42	27	26,19	19	28	15	M10	3/8"	4131
275	F90304G114	1 1/4"	31	23	82	58,72	50	34	30,18	22	30	17	M10	7/16"	4150
200	F90306G112	1 1/2"	38	25	96	69,85	59	39	35,71	25	36	18	M12	1/2"	4187
200	F90308G200	2"	50	27	106	77,77	66	44	42,88	25	41	18	M12	1/2"	4225
170	F90310G212	2 1/2"	60	31	116	88,90	78	50	50,80	25	50	18	M12	1/2"	4275

6000 psi

PRESS. MAX bar	TIPO TYPE	A SAE	B	M	C	D	E	O	F	H	N	K	G		O-Rings
													Viti/Screws Metr.	UNC	
420	F90580G012	1/2"	13	20	58	40,49	37	23	18,24	17	18	13	M8	5/16"	4075
420	F90600G034	3/4"	19	23	73	50,80	42	28	23,80	20	28	15	M10	3/8"	4100
420	F90602G100	1"	25	25	83	57,15	50	34	27,76	24	30	19	M12	7/16"	4131
420	F90604G114	1 1/4"	31	27	96	66,68	59	40	31,75	25	36	21	M14	1/2"	4150
420	F90606G112	1 1/2"	38	29	110	79,38	66	45	36,50	26	41	25	M16	5/8"	4187
420	F90608G200	2"	50	35	135	96,82	76	59	44,45	35	45	32	M20	3/4"	4225

Esempio codice di ordinazione - Ordering example

 Flangia
 Flange

F90 308 G200 -

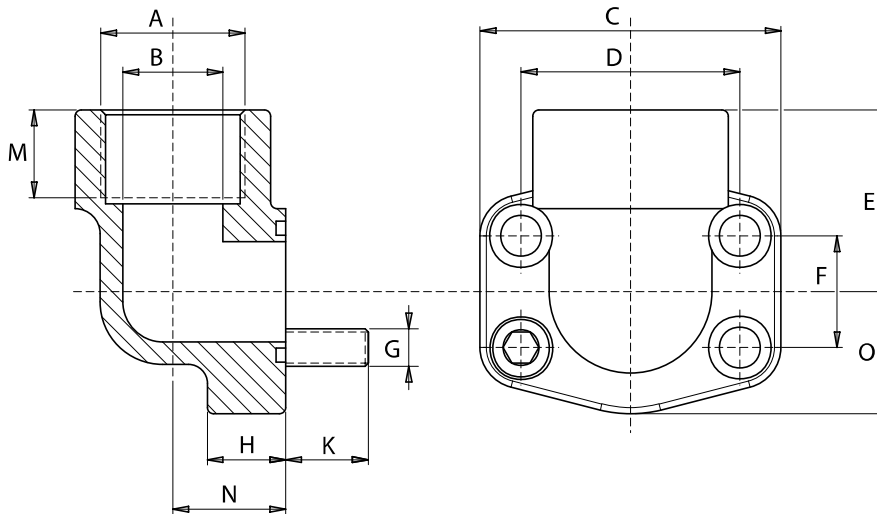
M Viti metriche, rondelle, O-Rings
 Metrical screws, washers, O-Rings

U Viti UNC, rondelle, O-Rings
 UNC screws, washers, O-Rings

(brunite - burnished)

Su richiesta - On request:

Materiale: acciaio
Material: steel



3000 psi

PRESS. MAX bar	TIPO TYPE	A SAE	B	M	C	D	E	O	F	H	N	K	G		O-Rings
													Viti/Screws		
													Metr.	UNC	
345	F90280N012	1/2"	13	20	58	38,10	37	23	17,48	17	18	13	M8	5/16"	4075
345	F90300N034	3/4"	19	20	69	47,63	39	25	22,23	18	22	15	M10	3/8"	4100
345	F90302N100	1"	25	20	75	52,37	42	27	26,19	19	28	15	M10	3/8"	4131
275	F90304N114	1 1/4"	31	23	82	58,72	50	34	30,18	22	30	17	M10	7/16"	4150
200	F90306N112	1 1/2"	38	25	96	69,85	59	39	35,71	25	36	18	M12	1/2"	4187
200	F90308N200	2"	50	27	106	77,77	66	44	42,88	25	41	18	M12	1/2"	4225
170	F90310N212	2 1/2"	60	31	116	88,90	78	50	50,80	25	50	18	M12	1/2"	4275

6000 psi

PRESS. MAX bar	TIPO TYPE	A SAE	B	M	C	D	E	O	F	H	N	K	G		O-Rings
													Viti/Screws		
													Metr.	UNC	
420	F90580N012	1/2"	13	20	58	40,49	37	23	18,24	17	18	13	M8	5/16"	4075
420	F90300N034	3/4"	19	23	73	50,80	42	28	23,80	20	28	15	M10	3/8"	4100
420	F90602N100	1"	25	25	83	57,15	50	34	27,76	24	30	19	M12	7/16"	4131
420	F90604N114	1 1/4"	31	27	96	66,68	59	40	31,75	25	36	21	M14	1/2"	4150
420	F90606N112	1 1/2"	38	29	110	79,38	66	45	36,50	26	41	25	M16	5/8"	4187
420	F90608N200	2"	50	35	135	96,82	76	59	44,45	35	45	32	M20	3/4"	4225

Esempio codice di ordinazione - Ordering example

Flangia
Flange

F90 308 N200 -

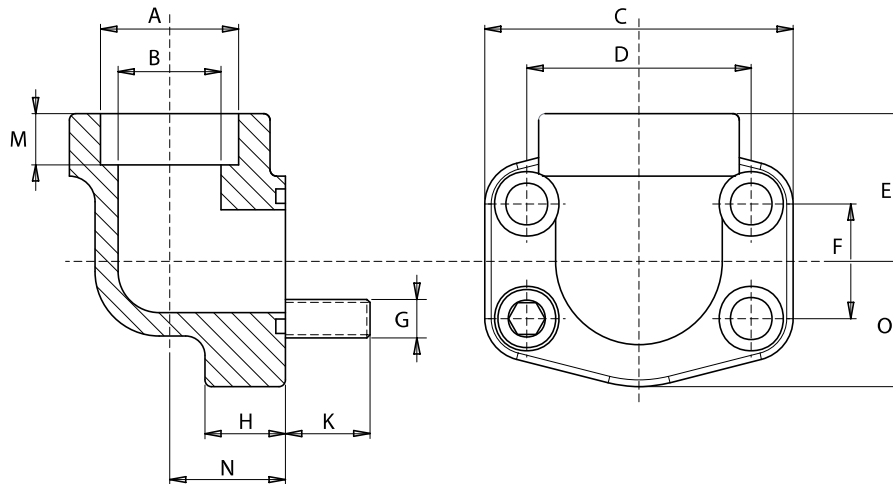
M Viti metriche, rondelle, O-Rings
Metrical screws, washers, O-Rings

U Viti UNC, rondelle, O-Rings
UNC screws, washers, O-Rings

Su richiesta: - On request:

(brunite - burnished)

Materiale: acciaio
 Material: steel



3000 psi

PRESS. MAX bar	TIPO TYPE	S.A.E.	A	B	M	C	D	E	O	F	H	N	K	G		O-Rings
														Viti/Screws Metr.	UNC	
345	FS90280012	1/2"	21,6	13	5	58	38,10	29	24	17,48	17	18	13	M8	5/16"	4075
345	FS90300034	3/4"	27,2	19	5	69	47,63	26	26	22,23	18	22	15	M10	3/8"	4100
345	FS90302100	1"	34,1	25	6	73	52,37	29	28	26,19	19	28	15	M10	3/8"	4131
275	FS90304114	1 1/4"	42,8	31	7	83	58,72	35	35	30,18	22	30	17	M10	7/16"	4150
200	FS90306112	1 1/2"	48,6	38	8	96	69,85	44	40	35,71	25	36	18	M12	1/2"	4187
200	FS90308200	2"	61	50	10	106	77,77	51	45	42,88	25	41	18	M12	1/2"	4225
170	FS90310212	2 1/2"	76,6	60	28	116	88,90	78	50	50,80	25	50	18	M12	1/2"	4275

6000 psi

PRESS. MAX bar	TIPO TYPE	S.A.E.	A	B	M	C	D	E	O	F	H	N	K	G		O-Rings
														Viti/Screws Metr.	UNC	
420	FS90580012	1/2"	21,6	13	5	58	40,49	29	24	18,24	17	18	13	M8	5/16"	4075
420	FS90600034	3/4"	27,2	19	6	73	50,80	29	28	23,80	19	28	15	M10	3/8"	4100
420	FS90602100	1"	24,1	25	7	83	57,15	35	35	27,76	24	30	19	M12	7/16"	4131
420	FS90604114	1 1/4"	42,8	31	8	96	66,68	44	40	31,75	25	36	21	M14	1/2"	4150
420	FS90606112	1 1/2"	48,6	38	10	110	79,38	50	45	36,50	26	41	25	M16	5/8"	4187
420	FS90608200	2"	61	50	12	135	96,82	66	59	44,45	35	45	32	M20	3/4"	4225

Esempio codice di ordinazione - Ordering example

Flangia
 Flange

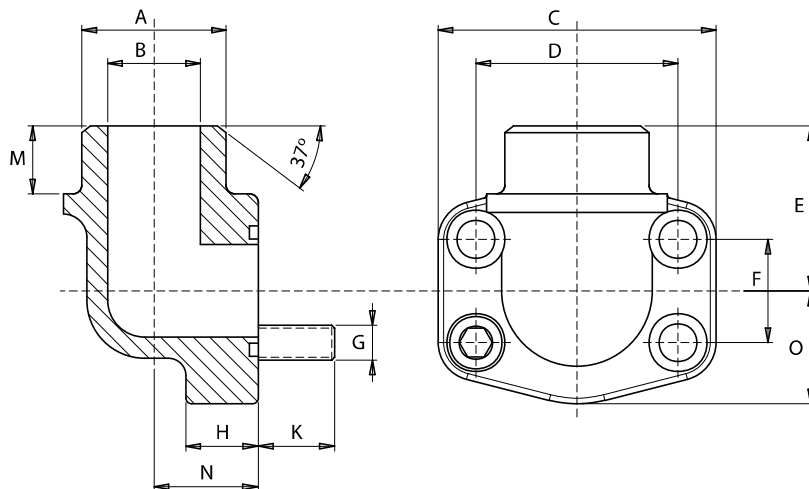
FS90 304 114 -

M Viti metriche, rondelle, O-Rings
 Metrical screws, washers, O-Rings

U Viti UNC, rondelle, O-Rings
 UNC screws, washers, O-Rings

(brunite - burnished)

Materiale: acciaio
Material: steel



3000 psi

PRESS. MAX bar	TIPO TYPE	S.A.E.	A	B	M	C	D	E	O	F	H	N	K	G		O-Rings
														Viti/Screws Metr.	UNC	
345	FT90280012	1/2"	21,6	13	12	58	38,10	40	24	17,48	17	18	13	M8	5/16"	4075
345	FT90300034	3/4"	27,2	19	12	69	47,63	42	26	22,23	18	22	15	M10	3/8"	4100
345	FT90302100	1"	34,5	25	13	73	52,37	50	28	26,19	19	28	15	M10	3/8"	4131
275	FT90304114	1 1/4"	42,8	31	13	83	58,72	58	35	30,18	22	30	17	M10	7/16"	4150
200	FT90306112	1 1/2"	48,6	38	14	96	69,85	67	40	35,71	25	36	18	M12	1/2"	4187
200	FT90308200	2"	61	50	15	106	77,77	67	45	42,88	25	41	18	M12	1/2"	4225
170	FT90310212	2 1/2"	76,6	60	25	116	88,90	78	51	50,80	25	50	18	M12	1/2"	4275

6000 psi

PRESS. MAX bar	TIPO TYPE	S.A.E.	A	B	M	C	D	E	O	F	H	N	K	G		O-Rings
														Viti/Screws Metr.	UNC	
420	FT90580012	1/2"	21,6	13	12	58	40,49	40	24	18,24	17	18	13	M8	5/16"	4075
420	FT90600034	3/4"	27,2	18	12	73	50,80	50	28	23,80	20	28	15	M10	3/8"	4100
420	FT90602100	1"	34,5	22	13	83	57,15	58	35	27,76	24	30	19	M12	7/16"	4131
420	FT90604114	1 1/4"	42,8	28	13	96	66,68	67	40	31,75	25	36	21	M14	1/2"	4150
420	FT90606112	1 1/2"	48,6	32	15	110	79,38	66	45	36,50	26	41	25	M16	5/8"	4187
420	FT90608200	2"	61	41	15	135	96,82	76	59	44,45	35	45	32	M20	3/4"	4225

Esempio codice di ordinazione - Ordering example

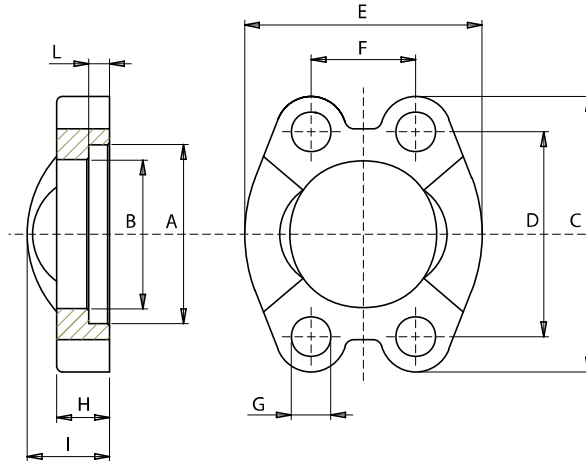
Flangia
Flange

FT90 602 100 -

M
U

Su richiesta: - On request:
Viti metriche, rondelle, O-Rings
Metrical screws, washers, O-Rings
Viti UNC, rondelle, O-Rings
UNC screws, washers, O-Rings
(brunite - burnished)

Materiale: acciaio
 Material: steel



3000 psi

PRESS. MAX bar	TIPO TYPE	S.A.E.	A	B	C	D	E	F	G	H	I	L
210	SFI3001012	1/2"	31	24,3	55	38,10	46	17,48	8,75	13	20	6,2
210	SFI3002034	3/4"	38,9	32,1	66	47,63	52	22,23	10,5	14	22	6,2
210	SFI3003100	1"	45,2	38,5	69	52,37	59	26,19	10,5	16	24	7,5
210	SFI3004114A	1 1/4"	51,6	43,7	79	58,72	73	30,18	10,5	14	22	7,5
210	SFI3004114	1 1/4"	51,6	43,7	79	58,72	73	30,18	12	14	22	7,5
210	SFI3004114B	1 1/4"	51,6	43,7	79	58,72	73	30,18	12,5	14	22	7,5
210	SFI3005112	1 1/2"	61,1	50,8	95	69,85	83	35,71	13,5	16	25	7,5
210	SFI3005112B	1 1/2"	61,1	50,8	95	69,85	83	35,71	14,5	16	25	7,5
210	SFI3006200	2"	72,2	62,7	103	77,77	97	42,88	13,5	16	26	9
210	SFI3006200B	2"	72,2	62,7	103	77,77	97	42,88	14,5	16	26	9
175	SFI3007212	2 1/2"	84,9	74,9	114	88,90	109	50,80	13,5	19	38	9
175	SFI3007212B	2 1/2"	84,9	74,9	114	88,90	109	50,80	14,5	19	38	9
135	SFI3008300	3"	102,4	90,9	136	106,38	131	61,93	17	22	41	9
35	SFI3009312	3 1/2"	115	102,36	151	120,65	140	69,85	17	23	45	10,7
35	SFI3010400	4"	127,8	115,1	161	130,18	150	77,77	17	25	48	10,7
35	SFI3011500	5"	153,2	140,5	182	152,40	180	92,08	17	28	50	10,7

6000 psi

PRESS. MAX bar	TIPO TYPE	S.A.E.	A	B	C	D	E	F	G	H	I	L
420	SFI6001012	1/2"	32,5	24,6	58	40,49	48	18,24	8,75	16	22	7,2
420	SFI6002034	3/4"	42	32,5	71	50,80	60	23,80	10,5	19	28	8,3
420	SFI6003100	1"	48,4	38,9	80	57,15	70	27,76	13	24	32	9
420	SFI6004114	1 1/4"	54,8	44,5	97	66,68	78	31,75	15	27	38	9,8
420	SFI6005112	1 1/2"	64,3	51,6	112	79,38	96	36,50	17	30	42	12,1
420	SFI6006200	2"	80,2	67,6	135	96,82	114	44,45	21	37	52	12,1
420	SFI6008212	2 1/2"	108,5	89,5	174	123,80	150	58,70	25	48	48	20
420	SFI6010300	3"	132,5	114,5	209	152,40	178	71,40	32	58	58	25

Esempio codice di ordinazione - Ordering example

SFI 3004 114B

M

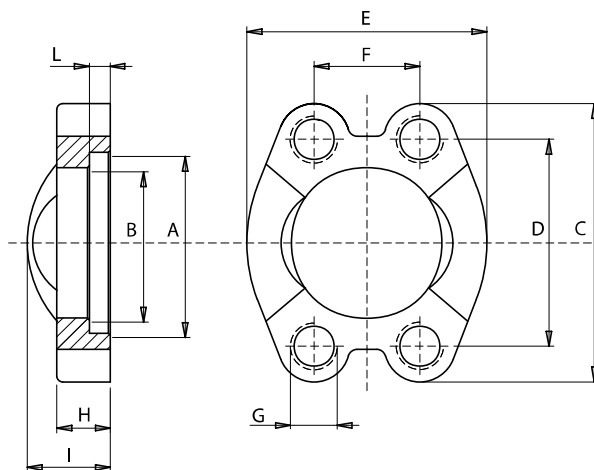
Viti metriche, rondelle, O-Rings
 Metrical screws, washers, O-Rings

Su richiesta - On request:

Semiflangia
 Splitflange

Particolare zincato bianco - White zinc plated

Materiale: acciaio
 Material: steel



3000 psi

PRESS. MAX bar	TIPO TYPE	S.A.E.	A	B	C	D	E	F	G	H	I	L
210	SFIM3001012	1/2"	31	24,3	55	38,10	46	17,48	M8	13	20	6,2
210	SFIM3002034	3/4"	38,9	32,1	66	47,63	52	22,23	M10	14	22	6,2
210	SFIM3003100	1"	45,2	38,5	69	52,37	59	26,19	M10	16	24	7,5
210	SFIM3004114	1 1/4"	51,6	43,7	79	58,72	73	30,18	M10	14	22	7,5
210	SFIM3004114B	1 1/4"	51,6	43,7	79	58,72	73	30,18	M12	14	22	7,5
210	SFIM3005112	1 1/2"	61,1	50,8	95	69,85	83	35,71	M12	16	25	7,5
210	SFIM3005112B	1 1/2"	61,1	50,8	95	69,85	83	35,71	M14	16	25	7,5
210	SFIM3006200	2"	72,2	62,7	103	77,77	97	42,88	M12	16	26	9
210	SFIM3006200B	2"	72,2	62,7	103	77,77	97	42,88	M14	16	26	9
175	SFIM3007212	2 1/2"	84,9	74,9	114	88,90	109	50,80	M12	19	38	9
175	SFIM3007212B	2 1/2"	84,9	74,9	114	88,90	109	50,80	M14	19	38	9
135	SFIM3008300	3"	102,4	90,9	136	106,38	131	61,93	M16	22	41	9
35	SFIM3009312	3 1/2"	115	102,36	151	120,65	140	69,85	M16	23	45	10,7
35	SFIM3010400	4"	127,8	115,1	161	130,18	150	77,77	M16	25	48	10,7
35	SFIM3011500	5"	153,2	140,5	182	152,40	180	92,08	M16	28	50	10,7

6000 psi

PRESS. MAX bar	TIPO TYPE	S.A.E.	A	B	C	D	E	F	G	H	I	L
420	SFIM6001012	1/2"	32,5	24,6	58	40,49	48	18,24	M8	16	22	7,2
420	SFIM6002034	3/4"	42	32,5	71	50,80	60	23,80	M10	19	28	8,3
420	SFIM6003100	1"	48,4	38,9	80	57,15	70	27,76	M12	24	32	9
420	SFIM6004114	1 1/4"	54,8	44,5	97	66,68	78	31,75	M14	27	38	9,8
420	SFIM6005112	1 1/2"	64,3	51,6	112	79,38	96	36,50	M16	30	42	12,1
420	SFIM6006200	2"	80,2	67,6	135	96,82	114	44,45	M20	37	52	12,1
420	SFIM6008212	2 1/2"	108,5	89,5	174	123,80	150	58,70	M24	48	48	20
420	SFIM6010300	3"	132,5	114,5	209	152,40	178	71,40	M30	58	58	25

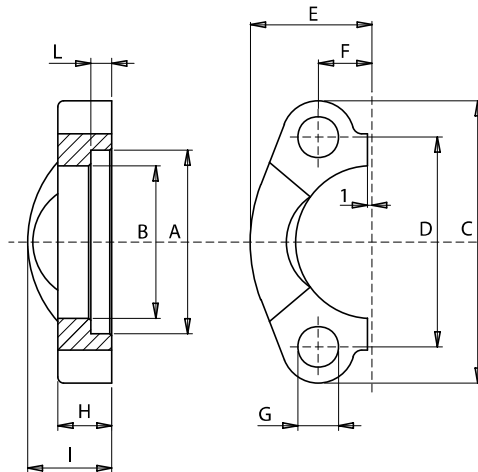
Esempio codice di ordinazione - *Ordering example*

SFIM 3004 114B

Semiflangia
 Splitflange

Particolare zincato bianco - White zinc plated

Materiale: acciaio
 Material: steel



3000 psi

PRESS. MAX bar	TIPO TYPE	S.A.E.	A	B	C	D	E	F	G	H	I	L
210	SFT3001012	1/2"	31	24,3	55	38,10	23	8,74	8,75	13	20	6,2
210	SFT3002034	3/4"	38,9	32,1	66	47,63	26	11,13	10,5	14	22	6,2
210	SFT3003100	1"	45,2	38,5	69	52,37	29,2	13,08	10,5	16	24	7,5
210	SFT3004114A	1 1/4"	51,6	43,7	79	58,72	36,3	15,09	10,5	14	22	7,5
210	SFT3004114	1 1/4"	51,6	43,7	79	58,72	36,3	15,09	12	14	22	7,5
210	SFT3004114B	1 1/4"	51,6	43,7	79	58,72	36,3	15,09	12,5	14	22	7,5
210	SFT3005112	1 1/2"	61,1	50,8	95	69,85	41,1	17,86	13,5	16	25	7,5
210	SFT3005112B	1 1/2"	61,1	50,8	95	69,85	41,1	17,86	14,5	16	25	7,5
210	SFT3006200	2"	72,2	62,7	103	77,77	48,2	21,44	13,5	16	26	9
210	SFT3006200B	2"	72,2	62,7	103	77,77	48,2	21,44	14,5	16	26	9
175	SFT3007212	2 1/2"	84,9	74,9	114	88,90	54	25,40	13,5	19	38	9
175	SFT3007212B	2 1/2"	84,9	74,9	114	88,90	54	25,40	14,5	19	38	9
135	SFT3008300	3"	102,4	90,9	136	106,38	65,3	30,96	17	22	41	9
35	SFT3009312	3 1/2"	115	102,36	151	120,65	70	34,92	17	23	45	10,7
35	SFT3010400	4"	127,8	115,1	161	130,18	75	38,88	17	25	48	10,7
35	SFT3011500	5"	153,2	140,5	182	152,40	82	46,04	17	28	50	10,7

6000 psi

PRESS. MAX bar	TIPO TYPE	S.A.E.	A	B	C	D	E	F	G	H	I	L
420	SFT6001012	1/2"	32,5	24,6	58	40,49	24	9,12	8,75	16	22	7,2
420	SFT6002034	3/4"	42	32,5	71	50,80	30	11,91	10,5	19	28	8,3
420	SFT6003100	1"	48,4	38,9	80	57,15	35	13,89	13	24	32	9
420	SFT6004114	1 1/4"	54,8	44,5	97	66,68	39	15,88	15	27	38	9,8
420	SFT6005112	1 1/2"	64,3	51,6	112	79,38	48	18,26	17	30	42	12,1
420	SFT6006200	2"	80,2	67,6	135	96,82	57	22,23	21	37	52	12,1
420	SFT6008212	2 1/2"	108,5	89,5	174	123,80	75	29,35	25	48	48	20
420	SFT6010300	3"	132,5	114,5	209	152,40	89	35,7	32	58	58	25

Esempio codice di ordinazione - Ordering example

SFT 3004 114B

Semiflangia
 Splitflange

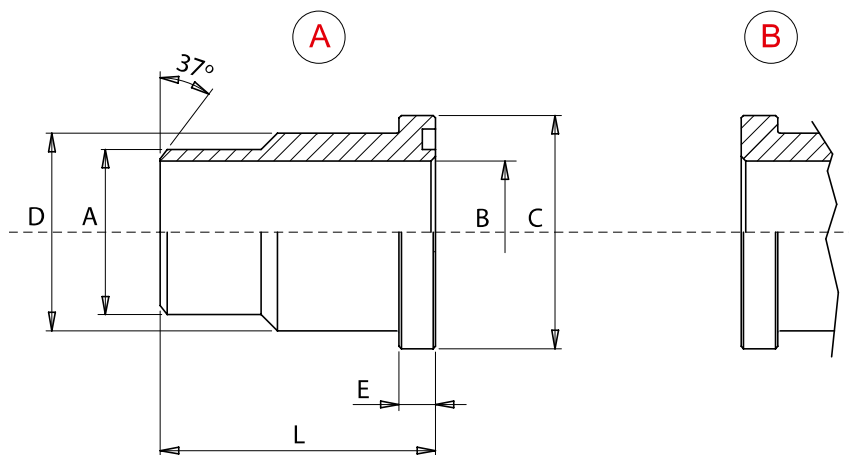
M Viti metriche, rondelle, O-Rings
 Metrical screws, washers, O-Rings

Il codice si riferisce alla coppia di semiflange
 The code refers to the spit flanges pair

Particolare zincato bianco - White zinc plated

Su richiesta: - On request:

Materiale: acciaio
Material: steel



3000 psi

PRESS. MAX bar	TIPO TYPE	TAGLIA SIZE	A	B	C	D	E	L	O-Rings
275	CST3021012	1/2"	22	13	30,2	24	6,7	45	4075
275	CST3027034	3/4"	28	19	38,1	31,5	6,7	50	4100
275	CST3033100	1"	35	25	44,4	38	8	55	4131
275	CST3042114	1 1/4"	43	31	50,8	43	8	60	4150
275	CST3049112	1 1/2"	50	38	60,3	50	8	65	4187
275	CST3060200	2"	62	47	71,4	62	9,5	70	4225
175	CST3075212	2 1/2"	74	63	84,1	74	9,5	75	4275
135	CST3090300	3"	90	70	101,6	90	9,5	85	4337
35	CST3103312	3 1/2"	102	88	114,3	102	11,2	90	4387
35	CST3115400	4"	115	98	127	114	11,2	100	4437
35	CST3140500	5"	140	120	152,4	140	11,2	100	4537

6000 psi

PRESS. MAX bar	TIPO TYPE	TAGLIA SIZE	A	B	C	D	E	L	O-Rings
420	CST6021012	1/2"	22	13	31,8	24	7,7	45	4075
420	CST6027034	3/4"	28	18	41,3	32	8,7	50	4100
420	CST6033100	1"	35	22	47,6	38	9,5	55	4131
420	CST6042114	1 1/4"	44	29	54	44	10,3	60	4150
420	CST6049112	1 1/2"	51	35	63,5	51	12,5	65	4187
420	CST6060200	2"	61	43	79,4	67	12,5	70	4225
420	CST6075212	2 1/2"	74	45	107,8	88,9	20,6	90	4275
420	CST6090300	3"	90	58	131,7	113,8	25,6	110	4337

Esempio codice di ordinazione - *Ordering example*

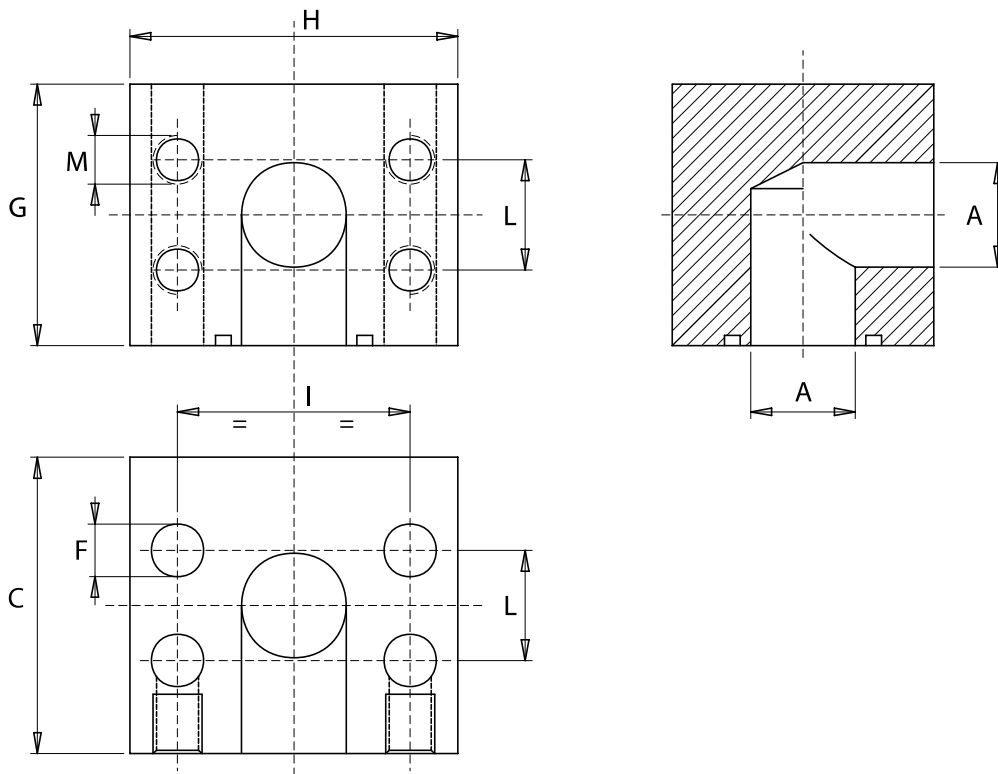
CST 6049 112 -

Codulo Adaptor

A Con sede O-Ring
With O-Ring seat

B Senza sede O-Ring
Without O-Ring seat

Materiale: acciaio
 Material: steel



3000 psi

PRESS. MAX bar	TIPO TYPE	SAE	A	C	F	G	H	I	L	M	O-Rings
210	LB 304 114	1 1/4"	31	80	11	80	80	58,72	30,18	M10	4150
210	LB 306 112	1 1/2"	38	94	13,5	94	94	69,85	35,71	M12	4187
210	LB 308 200	2"	50	87	13,5	87	103	77,77	42,88	M12	4225

6000 psi

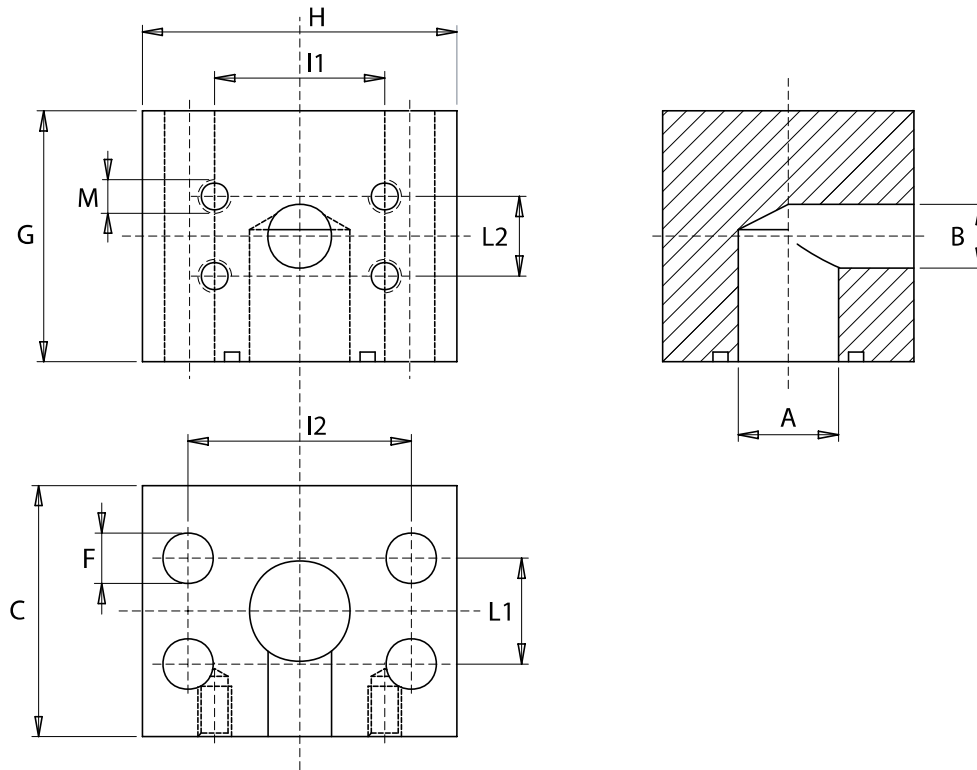
PRESS. MAX bar	TIPO TYPE	SAE	A	C	F	G	H	I	L	M	O-Rings
420	LB 600 034	3/4"	19	60	11	55	70	50,80	23,80	M10	4100
420	LB 602 100	1"	25	69	13	69	80	57,15	27,76	M12	4131
420	LB 604 114	1 1/4"	30	75	15	75	94	66,68	31,75	M14	4150
420	LB 606 112	1 1/2"	38	89	17	89	106	79,38	36,50	M16	4187
420	LB 608 200	2"	50	116	21	116	135	96,82	44,45	M20	4225

Esempio codice di ordinazione - Ordering example

LB 604 114

L BLOCK

Materiale: acciaio
Material: steel



6000 psi

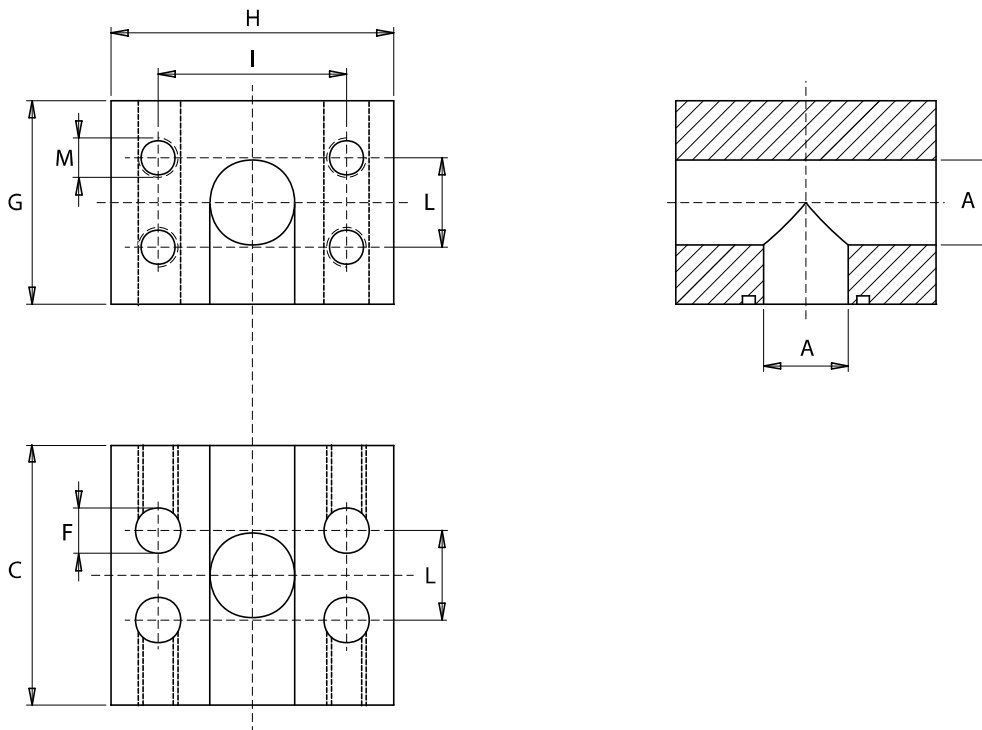
PRESS. MAX bar	TIPO TYPE	SAE	A	B	C	F	G	H	I1	L1	L2	I2	M	O-Rings
420	RB403-402100	1"	25	19	69	13	69	80	50,80	27,76	23,80	57,15	M10	4131
420	RB404-402114	1 1/4"	30	19	75	15	75	94	50,80	31,75	23,80	66,68	M10	4150
420	RB404-403114	1 1/4"	30	25	75	15	75	94	57,15	31,75	27,76	66,68	M12	4150
420	RB405-404112	1 1/2"	38	30	89	17	89	106	66,68	36,50	31,75	79,38	M14	4187
420	RB406-405200	2"	50	38	116	21	116	135	79,38	44,45	36,50	96,82	M16	4225

Esempio codice di ordinazione - *Ordering example*

RB 403 - 402100

T BLOCK

Materiale: acciaio
 Material: steel



6000 psi

PRESS. MAX bar	TIPO TYPE	SAE	A	C	F	G	H	I	L	M	O-Rings
420	TB600-600034	3/4"	19	70	11	55	70	50,80	23,80	M10	4100
420	TB602-602100	1"	25	80	13	69	80	57,15	27,76	M12	4131
420	TB604-604114	1 1/4"	30	94	15	75	94	66,68	31,75	M14	4150
420	TB606-606112	1 1/2"	38	106	17	100	106	79,38	36,50	M16	4187
420	TB608-608200	2"	50	140	21	116	135	96,82	44,45	M20	4225

Esempio codice di ordinazione - Ordering example

TB 602 - 602100

T BLOCK

I raccordi per pompe ad ingranaggi sono realizzati in acciaio e alluminio, normali e a 90°.

Couplings for pumps and gears are made of steel and aluminum, normal and 90°.

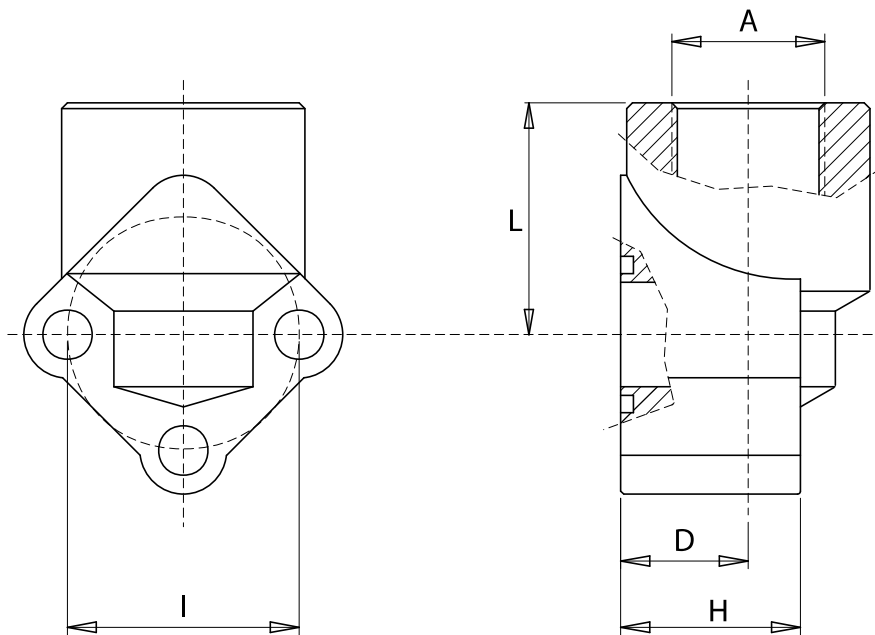


RACCORDI PER POMPE
AD INGRANAGGI

COUPLINGS
FOR GEAR PUMPS



Materiale: alluminio
Material: aluminium



Press. max bar	Tipo Type	Gruppo pompa Pump size	A BSP	I	D	H	L	N. fori Fixing holes	Viti Screws	O-Rings
180	RP05-038	0.5	3/8"	26	18	24	30	3	M5x35	2056
180	RP05-012	0.5	1/2"	26	18	24	30	3	M5x35	2056
180	RP1-038	1	3/8"	30	18	26	30	3	M6x35	121
180	RP1-012	1	1/2"	30	18	26	30	3	M6x35	121
180	RP2-012	2	1/2"	40	20	31	40	3	M8x45	130
180	RP2-034	2	3/4"	40	20	31	40	3	M8x45	130
180	RP3-034	3	3/4"	51÷56	26	43	46	3	M10x60	4118
180	RP3-100	3	1"	51÷56	26	43	46	3	M10x60	4118
180	RP35-114	3.5	1 1/4"	62	33.5	17	57	2	M12x35	4143
180	RP4-112	4	1 1/2"	72.5	38	17	64	2	M12x35	4175

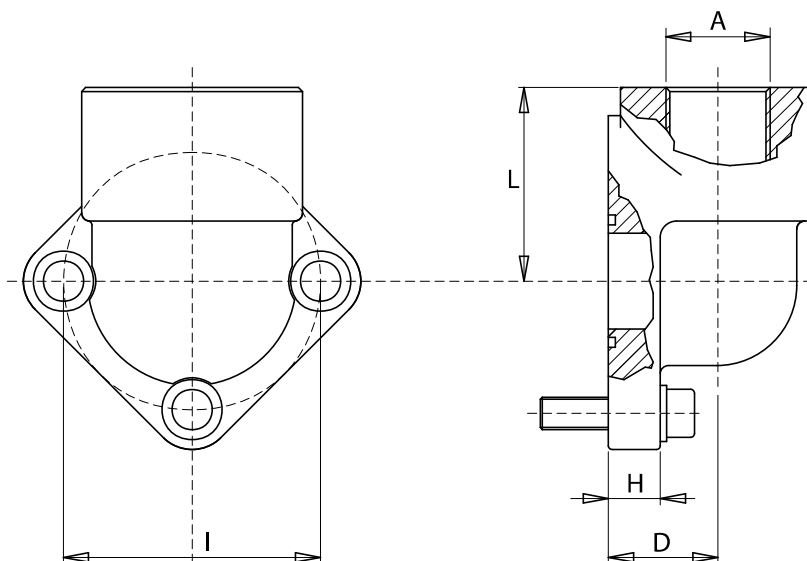
Esempio codice di ordinazione - Ordering example

RP 1 - 012 - M

Raccordo
Coupling

Viti metriche, rondelle, O-Rings
Metrical screws, washers, O-Rings
(zincate bianche - white zinc plated)

Materiale: acciaio (zincato bianco)
 Material: steel (white zinc plated)



Tipo Type	Gruppo pompa Pump size	A	I	D	H	L	N. fori Fixing	Viti Screws holes	O-Rings
RPA05-038	0.5	3/8"	26	17	10	27	3	M5x20	2056
RPA05-012	0.5	1/2"	26	17	10	27	3	M5x20	2056
RPA1-038	1	3/8"	30	17	10	27	3	M6x20	121
RPA1-012	1	1/2"	30	17	10	27	3	M6x20	121
RPA2-038	2	3/8"	4	21	11	36	3	M8x25	132
RPA2-012	2	1/2"	40	21	11	36	3	M8x25	132
RPA2-034	2	3/4"	40	21	11	36	3	M8x25	132
RPA3-034	3	3/4"	51	27	15	46	3	M10x30	4118
RPA3-100	3	1"	51	27	15	46	3	M10x30	4118
RPA3-034B	3	3/4"	56	27	15	46	3	M10x30	4118
RPA3-100B	3	1"	56	27	15	46	3	M10x30	4118
RPA35-100M10	3.5	1"	62	36	16	56	3	M10x30	4150
RPA35-114M10	3.5	1 1/4"	62	36	16	56	3	M10x30	4150
RPA35-100M12	3.5	1"	62	36	16	56	3	M12x35	4150
RPA35-114M12	3.5	1 1/4"	62	36	16	56	3	M12x35	4150
RPA4-114	4	1 1/4"	72.5	37	17	56	3	M12x35	153
RPA4-112	4	1 1/2"	72.5	37	17	56	3	M12x35	153
RPA6-212	-	2 1/2"	92	52	18	75	3	M12x40	4275

Esempio codice di ordinazione - Ordering example

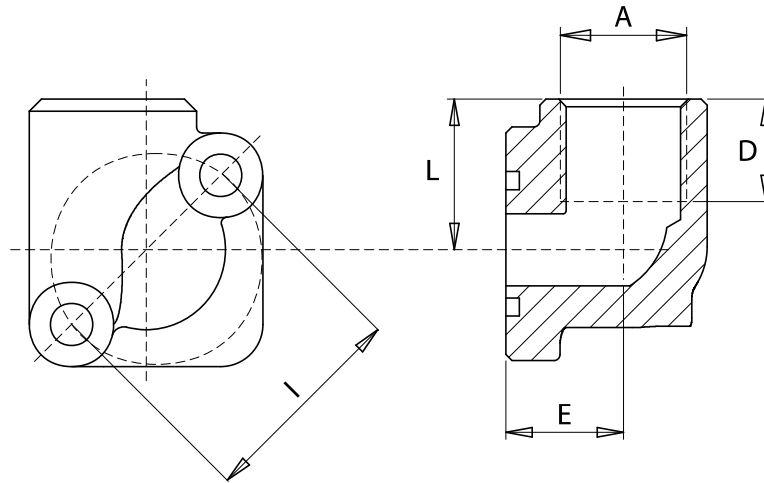
RPA 2 - 034 - M

Raccordo
Coupling

Viti metriche, rondelle, O-Rings
 Metrical screws, washers, O-Rings
 (zincate bianche - white zinc plated)

RPA35 - RPA4 - RPA6
 Forniti in ghisa - Made of cast iron

Materiale: alluminio
Material: aluminium



Press. max bar	Tipo Type	A	I	L	D	E	Viti Screws	O-Rings
180	1 RA - 038	3/8"	30	22	17	17	M6x35	121
180	1 RA - 012	1/2"	30	22	17	17	M6x35	121
180	2 RA - 038	3/8"	35	24	17	19.5	M6x40	3075
180	2 RA - 012	1/2"	35	24	17	19.5	M6x40	3075

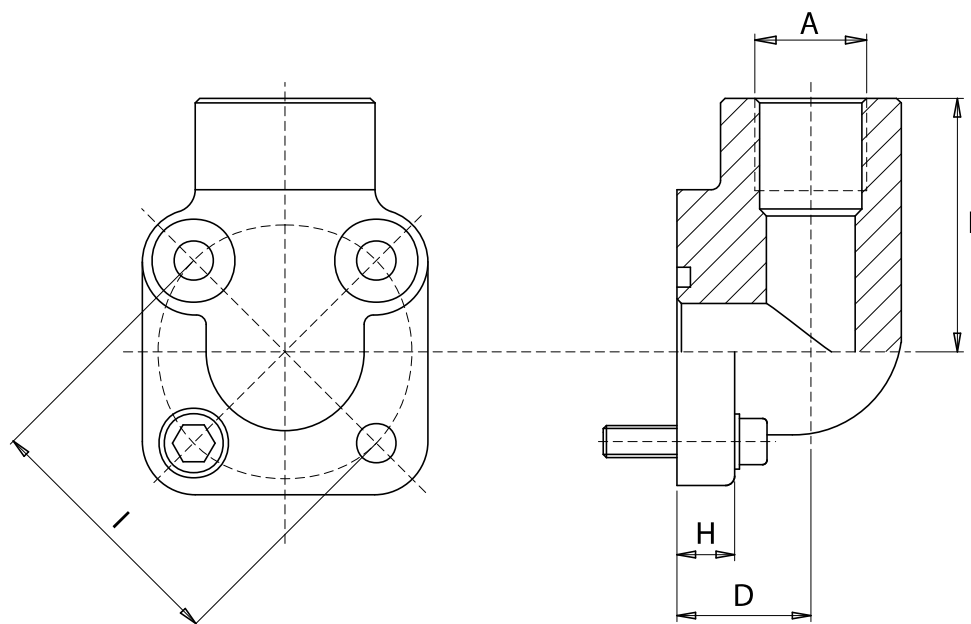
Esempio codice di ordinazione - *Ordering example*

1 RA - 012 - M

Raccordo
Coupling

Viti metriche, rondelle, O-Rings
Metric screws, washers, O-Rings
(zincate bianche - white zinc plated)

Materiale: acciaio (zincato bianco)
 Material: steel (white zinc plated)



Press. max bar	Tipo Type	I	A BSP	D	H	L	Viti / Screws		O-Rings
							N 2	N 2	
315	RIA 30-038	30	3/8"	19	11	40	M6x20	M6x35	121
315	RIA 30-012	30	1/2"	19	11	40	M6x20	M6x35	121
315	RIA 35-038	35	3/8"	19	13	40	M6x20	M6x35	3075
315	RIA 35-012	35	1/2"	19	13	40	M6x20	M6x35	3075
250	RIA 40-038	40	3/8"	24	13	42.5	M6x25	M6x45	132
250	RIA 40-012	40	1/2"	24	13	42.5	M6x25	M6x45	132
250	RIA 40-034	40	3/4"	24	13	42.5	M6x25	M6x45	132
250	RIA 55-012	55	1/2"	34	13	54	M8x25	M8x60	4118
250	RIA 55-034	55	3/4"	34	13	54	M8x25	M8x60	4118
250	RIA 55-100	55	1"	34	13	54	M8x25	M8x60	4118

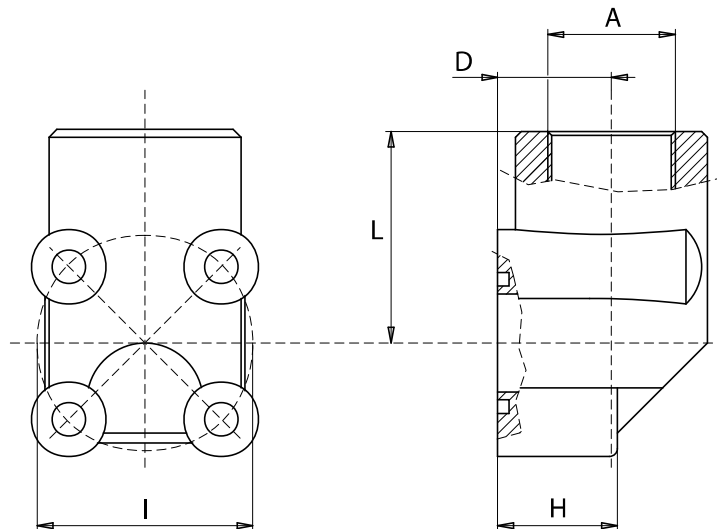
Esempio codice di ordinazione - Ordering example

RIA 55 - 100 - M

Raccordo
Coupling

Viti metriche, rondelle, O-Rings
 Metrical screws, washers, O-Rings
 (zincate bianche - white zinc plated)

Materiale: alluminio
Material: aluminium



Press. max bar	Tipo Type	A BSP	I	D	H	L	N. fori Fixing holes	Viti / Screws		O-Rings
								N2	N2	
180	RB 038-30	3/8"	30	18	18	40	4	M6x30	M6x45	121
180	RB 012-30	1/2"	30	18	18	40	4	M6x30	M6x45	121
180	RB 038-35	3/8"	35	18	18	42.5	4	M6x30	M6x45	3075
180	RB 012-35	1/2"	35	18	18	42.5	4	M6x30	M6x45	3075
180	RB 012-40	1/2"	40	24	24	47.5	4	M6x35	M6x55	130
180	RB 034-40	3/4"	40	24	24	47.5	4	M6x35	M6x55	130
180	RB 034-55	3/4"	55	29	31	54	4	M8x45	M8x60	4118
180	RB 100-55	1"	55	29	31	54	4	M8x45	M8x60	4118

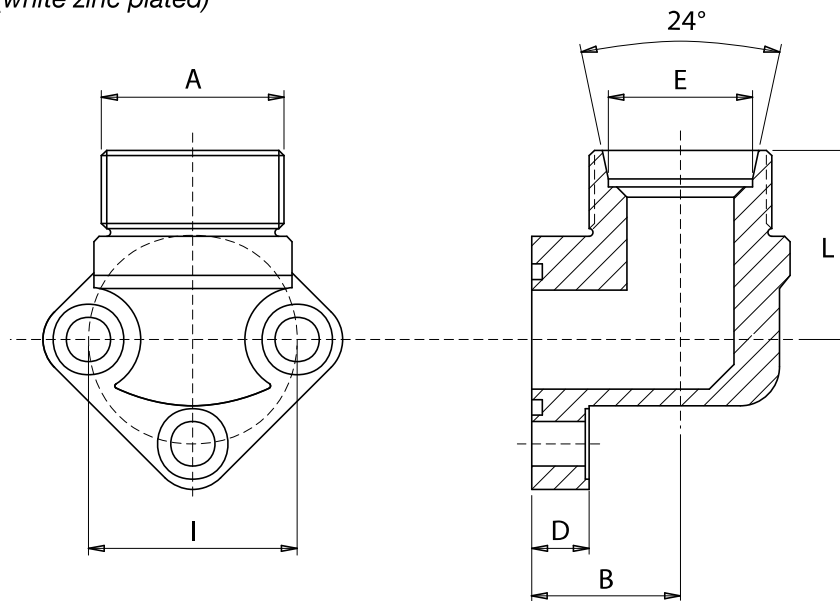
Esempio codice di ordinazione - *Ordering example*

RB 034 - 40 - M

Raccordo
Coupling

Viti metriche, rondelle, O-Rings
Metrical screws, washers, O-Rings
(zincate bianche - white zinc plated)

Materiale: acciaio (zincato bianco)
 Material: steel (white zinc plated)



Press. max bar	Tipo Type	A	I	L	D	E	B	Viti Screws	O-Rings
300	1 RGAT 10/26	M16x1.5	26	28	10	10	17	M5x20	2056
300	1 RGAT 12/26	M18x1.5	26	28	10	12	17	M5x20	2056
300	1 RGAT 15/26	M22x1.5	26	28	10	15	17	M5x20	2056
300	1 RGAT 16/26	M24x1.5	26	28	10	16	17	M5x20	2056
300	1 RGAT 18/26	M26x1.5	26	28	10	18	17	M5x20	2056
300	1 RGAT 10/30	M16x1.5	30	28	10	10	17	M6x20	121
300	1 RGAT 12/30	M18x1.5	30	28	10	12	17	M6x20	121
300	1 RGAT 15/30	M22x1.5	30	28	10	15	17	M6x20	121
300	1 RGAT 16/30	M24x1.5	30	28	10	16	17	M6x20	121
300	1 RGAT 18/30	M26x1.5	30	28	10	18	17	M6x20	121
200	2 RGAT 15/40	M22x1.5	40	36	11	15	22	M8x25	132
200	2 RGAT 16/40	M24x1.5	40	36	11	16	22	M8x25	132
200	2 RGAT 18/40	M26x1.5	40	36	11	18	22	M8x25	132
200	2 RGAT 20/40	M30x2	40	36	11	20	22	M8x25	132
200	2 RGAT 22/40	M30x2	40	36	11	22	22	M8x25	132
200	2 RGAT 28/40	M36x2	40	36	11	28	28	M8x25	132
200	3 RGAT 20/51	M30x2	51	46	15	20	27	M10x30	4118
200	3 RGAT 25/51	M36x2	51	46	15	25	27	M10x30	4118
200	3 RGAT 30/51	M42x2	51	45	15	30	27	M10x30	4118

Esempio codice di ordinazione - Ordering example

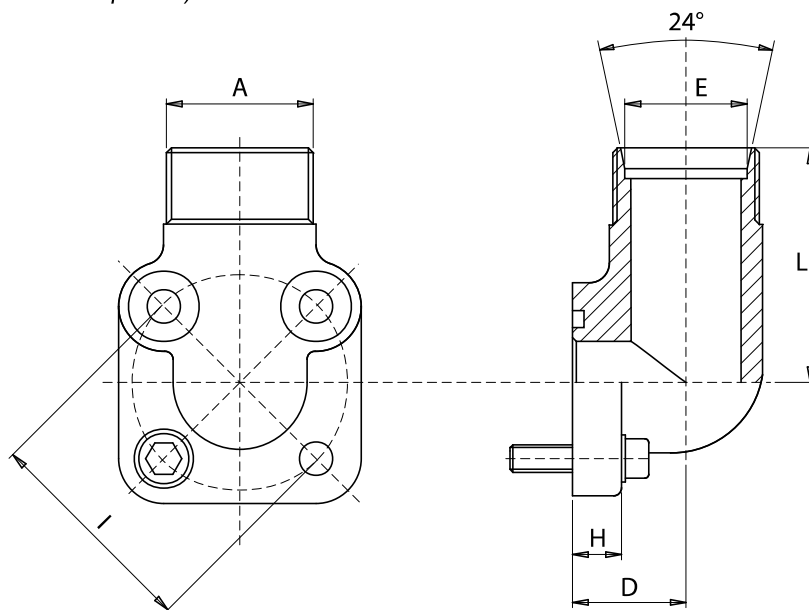
1 RGAT 18/30 - M K

Raccordo
Coupling

Su richiesta: - Under request:
 Dado e ogiva - Nut and ring

Viti metriche, rondelle, O-Rings
 Metrical screws, washers, O-Rings
 (zincate bianche - white zinc plated)

Materiale: acciaio (zincato bianco)
 Material: steel (white zinc plated)



Press. max bar	Tipo Type	I	A	E	D	H	L	Viti / Screws		O-Rings
								N 2	N 2	
300	RBA 35/10	35	M16x1.5	10	18	11.5	40	M6x20	M6x35	3075
300	RBA 35/12	35	M18x1.5	12	18	11.5	40	M6x20	M6x35	3075
300	RBA 35/15	35	M22x1.5	15	18	11.5	40	M6x20	M6x35	3075
300	RBA 35/16	35	M24x1.5	16	18	11.5	40	M6x20	M6x35	3075
100	RBA 40/15	40	M22x1.5	15	24	13	44	M6x25	M6x45	132
100	RBA 40/18	40	M26x1.5	18	24	13	40	M6x25	M6x45	132
100	RBA 40/20	40	M30x2	20	24	13	40	M6x25	M6x45	132
100	RBA 40/22	40	M30x2	22	24	13	40	M6x25	M6x45	132
100	RBA 40/28	40	M36x2	28	28	16	41.5	M6x25	M6x50	132
100	RBA 40/35	40	M45x2	35	32	16	41.5	M6x25	M6x50	132
250	RBA 55/20	55	M30x2	20	34	13	54	M8x25	M8x60	4118
250	RBA 55/25	55	M36x2	25	34	13	54	M8x25	M8x60	4118
250	RBA 55/30	55	M42x2	30	34	13	54	M8x25	M8x60	4118
200	RBA 55/38	55	M52x2	38	43	12	52	M8x25	M8x70	4118
100	RBA 55/42	55	M52x2	42	43	12	52	M8x25	M8x70	4118

Esempio codice di ordinazione - Ordering example

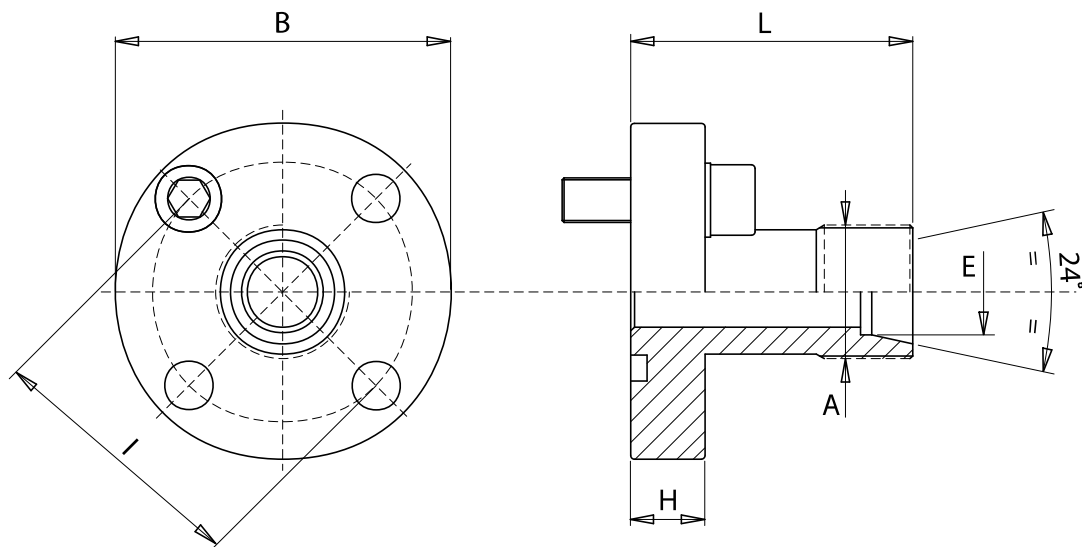
RBA 40/28 - M K

Raccordo
Coupling

Su richiesta - Under request:
 Dado e ogiva - Nut and ring

Viti metriche, rondelle, O-Rings
 Metrical screws, washers, O-Rings
 (zincate bianche - white zinc plated)

Materiale: acciaio (zincato bianco)
 Material: steel (white zinc plated)



Press. max bar	Tipo Type	I	B	A	E	H	L	Screws	Viti O-Rings
315	RDA 35/10L	35	46	M16x1.5	10	8	30	M6x20	3075
315	RDA 35/12L	35	46	M18x1.5	12	8	30	M6x20	3075
250	RDA 35/15L	35	46	M22x1.5	15	8	30	M6x20	3075
315	RDA 35/16S	35	46	M24x1.5	16	8	30	M6x20	3075
100	RDA 40/15L	40	52	M22x1.5	15	8	35	M6x20	3100
100	RDA 40/18L	40	52	M26x1.5	18	8	35	M6x20	3100
250	RDA 40/20S	40	52	M30x2	20	8	35	M6x20	3100
100	RDA 40/22L	40	52	M30x2	22	8	35	M6x20	3100
100	RDA 40/28L	40	52	M36x2	28	8	40	M6x20	3100
250	RDA 55/20S	55	70	M30x2	20	12	50	M8x25	3125
250	RDA 55/25S	55	70	M36x2	25	12	50	M8x25	3125
250	RDA 55/30S	55	70	M42x2	30	12	50	M8x25	3125
100	RDA 55/35L	55	70	M45x2	35	12	50	M8x25	3125

Esempio codice di ordinazione - Ordering example

RDA 40/18L - M K

Raccordo
Coupling

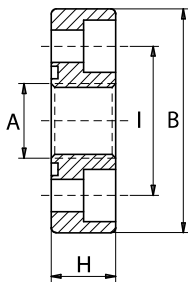
Su richiesta: - Under request:
 Dado e ogiva - Nut and ring

Viti metriche, rondelle, O-Rings
 Metrical screws, washers, O-Rings
 (zincate bianche - white zinc plated)

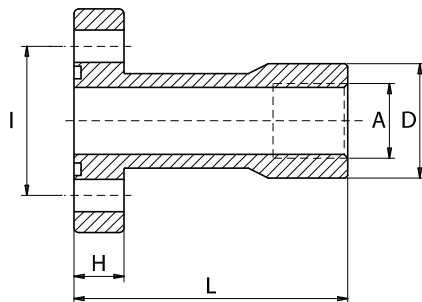
Materiale: acciaio (zincato bianco)
 Material: steel (white zinc plated)

F

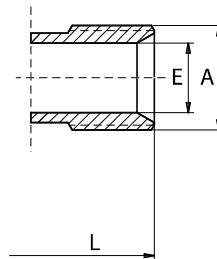
Flangia filettata
 Threaded flange

**FI**

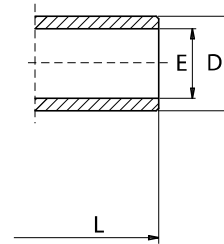
Filettatura interna
 Internal thread

**FE**

Filettatura esterna
 External thread

**FB**

Connessione diretta
 Straight connection



Tipo Type	Gruppo pompa Pump size	I	B	L	D	E	A BSP	H	Fixing	N. fori Screws holes	Viti O-Rings
F1-038	1	30	45	-	-	-	3/8"	13	4	M6x16	2075
FI1-038	1	30	40	55	23	-	3/8"	10	4	M6x20	2075
FE1-012	1	30	40	55	-	14	1/2"	10	4	M6x20	2075
FB1	1	30	40	55	19	14	-	10	4	M6x20	2075
F2-012	2	40	58	-	-	-	1/2"	15	4	M8x20	2100
FI2-012	2	40	54	60	28.5	-	1/2"	12	4	M8x25	2100
FE2-034	2	40	54	60	-	19	3/4"	12	4	M8x25	2100
FB2	2	40	54	60	25.4	19	-	12	4	M8x25	2100
F3-034	3 A	51	76	-	-	-	3/4"	18	4	M10x25	3125
FI3-034	3 A	51	70	72	33.5	-	3/4"	16	4	M10x30	3125
FE3-100	3 A	51	70	72	-	24	1"	16	4	M10x30	3125
FB3	3 A	51	70	72	32	24.5	-	16	4	M10x30	3125
F3-034B	3 B	56	76	-	-	-	3/4"	18	4	M10x25	3125
FI3-034B	3 B	56	76	72	33.5	-	3/4"	16	4	M10x30	3125
FE3-100B	3 B	56	76	72	-	24	1"	16	4	M10x30	3125
FB3B	3 B	56	76	72	32	24.5	-	16	4	M10x30	3125
F35-100M10	3.5 A	62	88	-	-	-	1"	20	4	M10x30	144
F35-100M12	3.5 B	62	88	-	-	-	1"	20	4	M12x35	144
F4-114	4	72.5	98	-	-	-	1 1/4"	22	4	M12x35	4187

Esempio codice di ordinazione - Ordering example

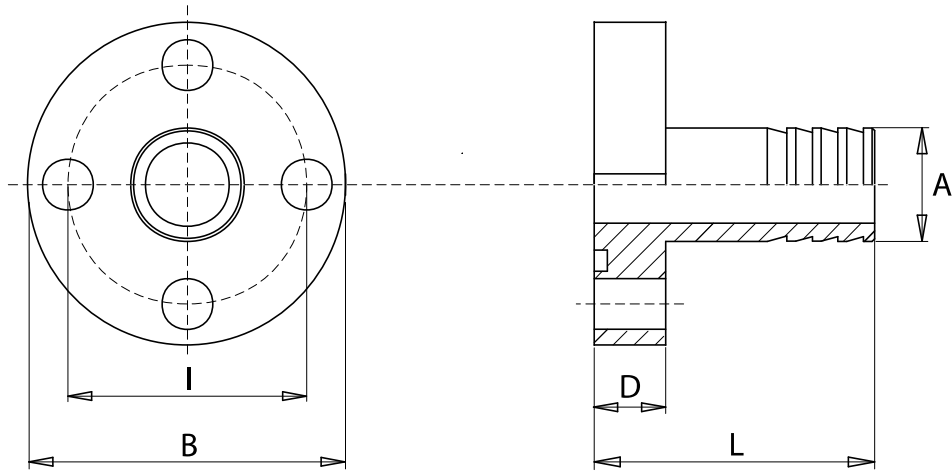
FI3-034 - M

Raccordo
 Coupling

Viti metriche, rondelle, O-Rings
 Metrical screws, washers, O-Rings
 (zincate bianche - white zinc plated)

Rondelle non presenti nel kit flange tipo "F"
 Washers not included inside the kit for "F" type flanges

Materiale: acciaio (zincato bianco)
 Material: steel (white zinc plated)



Tipo Type	A	B	D	I	L	Viti Screws	O-Rings
1 RPGA 012/30	15	40	10	30	40	M6x20	121
1 RPGA 034/30	19	40	10	30	40	M6x20	121
2 RPGA 034/40	19	54	12	40	47	M8x25	132
2 RPGA 100/40	25	54	12	40	47	M8x25	132
3 RPGA 114/51	32	70	14	51	59	M10x30	4118
3 RPGA 114/56	32	75	14	56	59	M10x30	4137

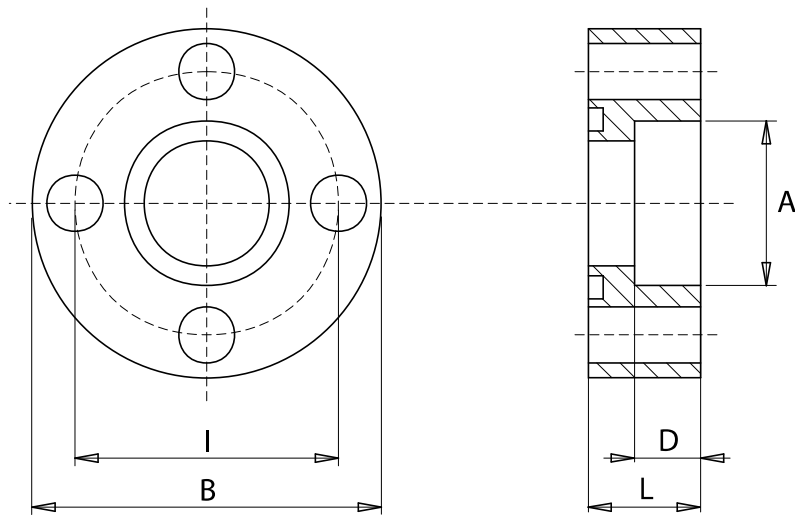
Esempio codice di ordinazione - Ordering example

1 RPGA 012/30 - M

Raccordo
Coupling

Viti metriche, rondelle, O-Rings
 Metrical screws, washers, O-Rings
 (zincate bianche - white zinc plated)

Materiale: acciaio
Material: steel



Tipo Type	A	B	D	I	L	Viti Screws	O-Rings
RSA 12/26	12	35	5	26	10	M5x20	2056
RSA 12/30	12	40	6	30	11	M6x20	121
RSA 15/30	15	40	6	30	11	M6x20	121
RSA 15/35	15	46	6	35	11	M6x20	3075
RSA 12/40 M6	12	52	10	40	17	M6x30	132
RSA 12/40 M8	12	54	10	40	17	M8x30	132
RSA 25/40	25	54	10	40	17	M8x30	132
RSA 30/51	30	70	11	51	18.5	M10x35	4118
RSA 30/56	30	75	11	56	18.5	M10x35	4137
RSA 40/62 M10	40	80	15	62	25	M10x40	4150
RSA 40/62 M12	40	80	15	62	25	M12x45	4150
RSA 45/72.5	45	91	18	72.5	25	M12x45	153
RSA 77/92	77	110	18	92	25	M12x45	4275

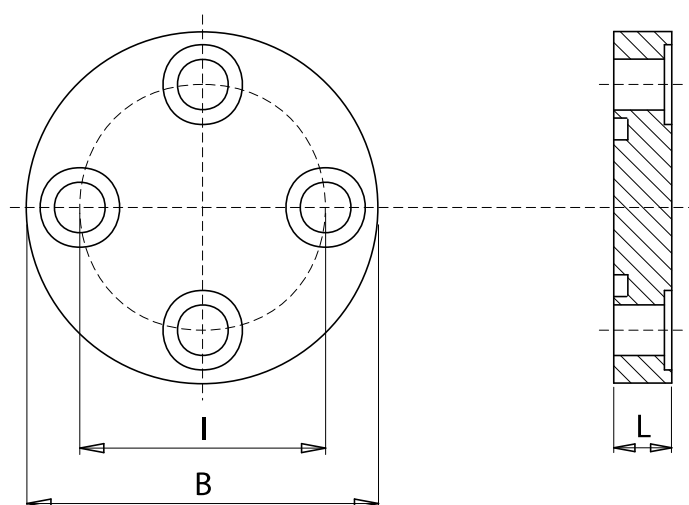
Esempio codice di ordinazione - Ordering example

RSA 30/51 - M

Raccordo
Coupling

Viti metriche, rondelle, O-Rings
Metrical screws, washers, O-Rings
(zincate bianche - white zinc plated)

Materiale: acciaio (zincato bianco)
 Material: steel (white zinc plated)



Tipo Type	B	L	I	Viti Screws	O-Rings
RCA 26	40	10	26	M5x20	2056
RCA 30	45	10	30	M6x20	121
RCA 35	52	10	35	M6x20	3075
RCA 40 M6	54	12	40	M6x20	132
RCA 40 M8	58	12	40	M8x25	132
RCA 51	70	12	51	M10x25	4118
RCA 55	70	12	55	M8x25	4118
RCA 56	75	12	56	M10x30	4137
RCA 62 M10	85	14	62	M10x30	4150
RCA 62 M12	85	14	62	M12x35	4150
RCA 72.5	98	14	72.5	M12x35	153
RCA 92	115	16	92	M12x35	4275

Esempio codice di ordinazione - *Ordering example*

RCA 30 - M

Raccordo
Coupling

Viti metriche, rondelle, O-Rings
 Metrical screws, washers, O-Rings
 (zincate bianche - white zinc plated)

I blocchi standard, in acciaio e in alluminio, sono di tipo 3-5. OMT è in grado di produrre blocchi su disegno del cliente.

Standard blocks, made of steel and aluminum, are CETOP 3-5 type. OMT is able to manufacture blocks on customer design.

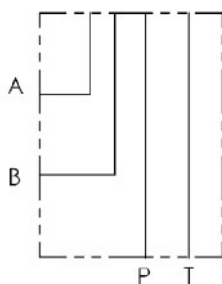
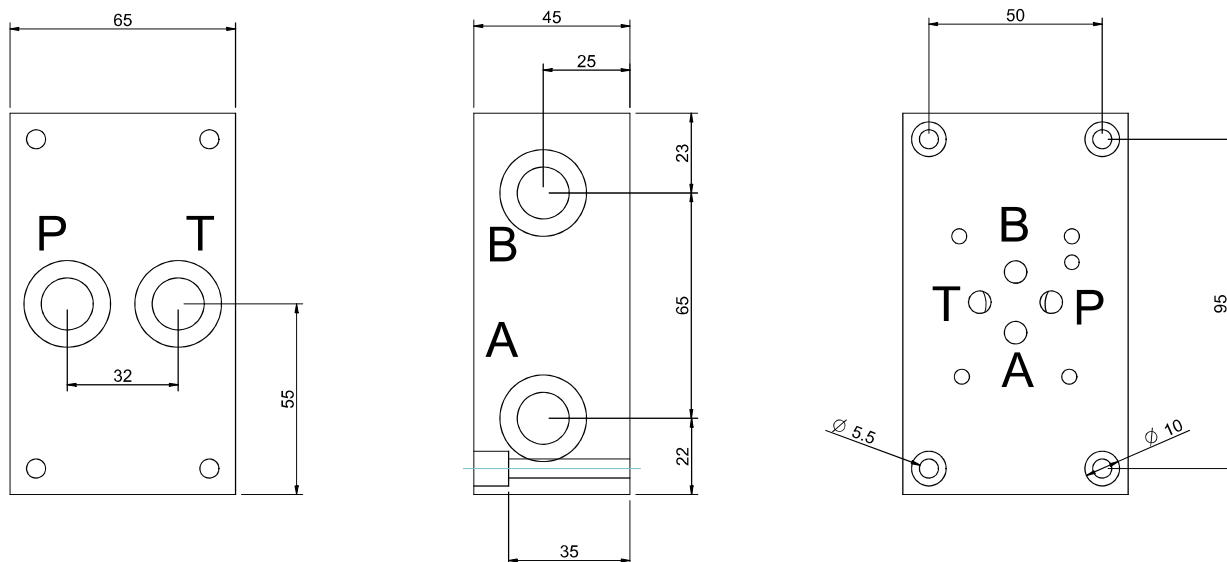


BLOCCHI CETOP
CETOP MANIFOLD
BLOCKS



CETOP 3 - NG 06

BASE CON COLLEGAMENTO P - T POSTERIORI E A - B LATERALI
SINGLE SUBPLATE ON REAR P - T AND ON SIDE A - B



Versione standard in alluminio
Standard type with aluminium

Pressione massima di lavoro = 250 bar
Max working pressure = 250 bar

Esempio codice di ordinazione - *Ordering example*

BSA 06 # PL

Base in alluminio
Aluminium subplate

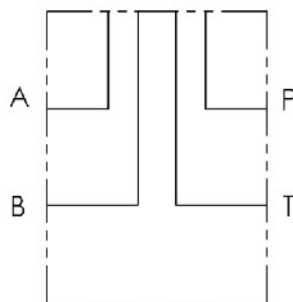
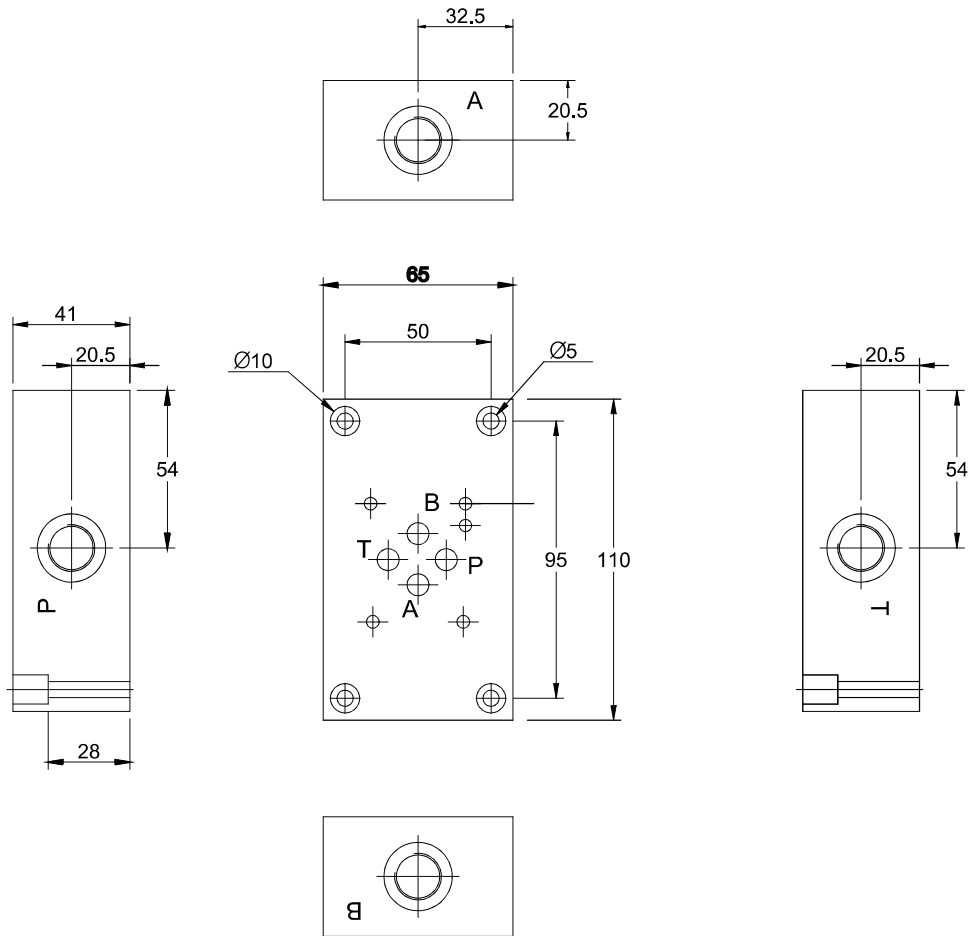
CETOP 3 - NG 06

A = (P - T - A - B) G1/4

B = (P - T - A - B) G3/8

(P - T) posteriori e (A - B) laterali
On rear (P - T) on side (A - B)

BASE CON COLLEGAMENTO P - T - A - B LATERALI A CROCE
 SINGLE SUBPLATE WITH RADIAL SIDE P - T - A - B PORTS



Versione standard in alluminio
 Standard type with aluminium
 Pressione massima di lavoro = 250 bar
 Max working pressure = 250 bar

Esempio codice di ordinazione - *Ordering example*

BSA 06 # L

Base in alluminio
 Aluminium subplate

CETOP 3 - NG 06

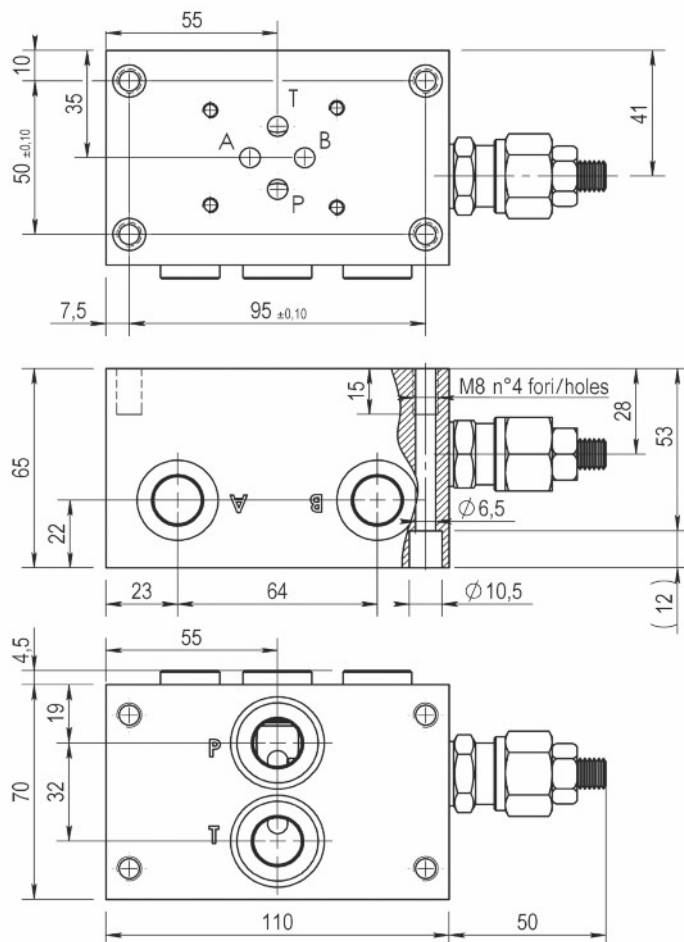
A = (P - T - A - B) G1/4
 B = (P - T - A - B) G3/8

(P - T - A - B) laterali a croce
 Radial side (P - T - A - B) ports

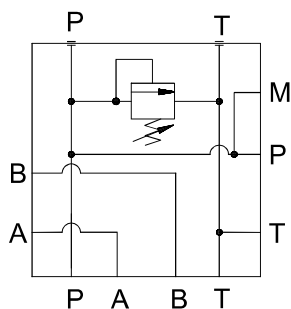
CETOP 3 - NG 06

BASE CON COLLEGAMENTO P - T POSTERIORI E A - B LATERALI
SINGLE SUBPLATE ON REAR P - T AND ON SIDE A - B

M1 = G1/4
Preso manometro
Testing point



Fornito con tappi DIN908 su P T ed M
Supplied with DIN908 caps on P T and M



Versione standard in alluminio
Standard type with aluminium

Pressione massima di lavoro = 250 bar
Max working pressure = 250 bar

Caratteristiche valvola di massima
vedere a pagina 63
For further information regarding relief
valve please see page 63

Esempio codice di ordinazione - Ordering example

BSA 06 # PL # - # — 05 = (5-50 bar)
20 = (30-210 bar)
35 = (100-350 bar)

Base in alluminio
Aluminium subplate

CETOP 3 - NG 06

B = (P - T - A - B) G3/8

z = predisposta per valvole
machined for relief valve
x = con valvola di max
with built-in relief valve

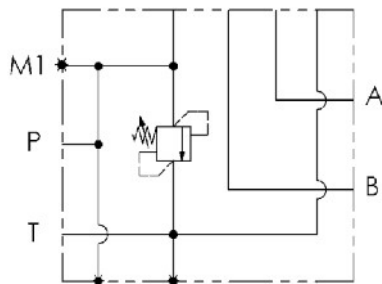
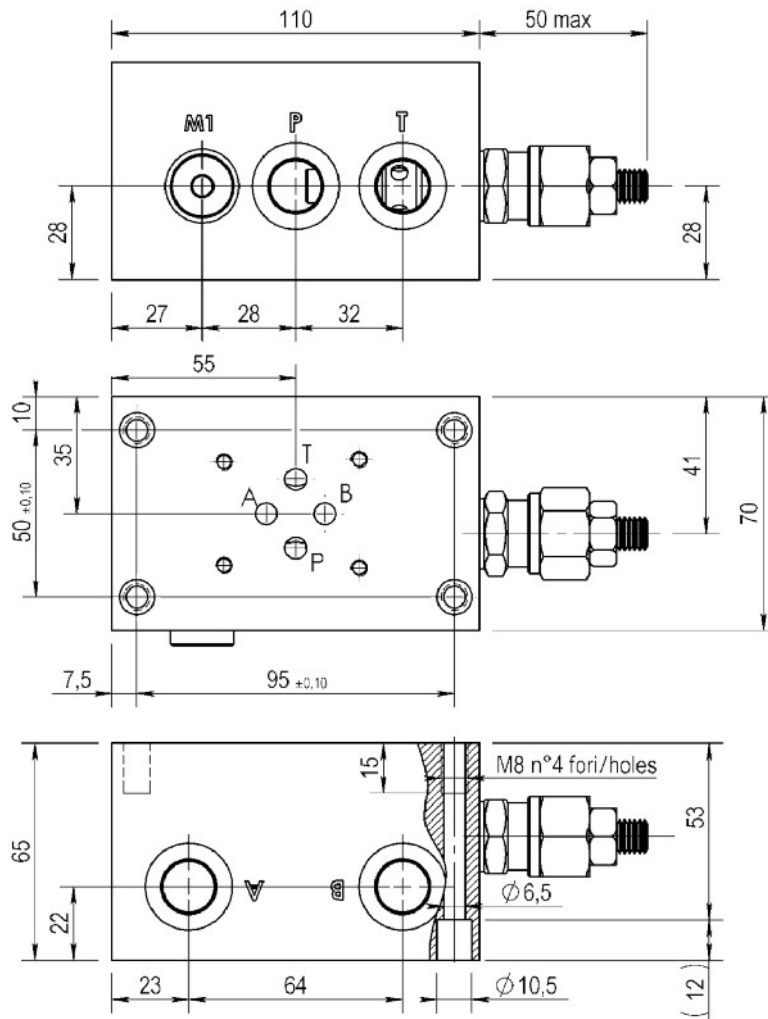
(P - T) posteriori e (A - B) laterali
On rear (P - T) on side (A - B)

CETOP 3 - NG 06

03

BASE CON COLLEGAMENTO P - T LATERALI E A - B LATERALI
SINGLE SUBPLATE ON SIDE P - T - A - B PORTS

M1 = G1/4
Preso manometro
Testing point



Versione standard in alluminio
Standard type with aluminium

Pressione massima di lavoro = 250 bar
Max working pressure = 250 bar

Caratteristiche valvola di massima
vedere a pagina 63
For further information regarding relief
valve please see page 63

Esempio codice di ordinazione - Ordering example

BSA 06 # LL # - # — 05 = (5-50 bar)
20 = (30-210 bar)
35 = (100-350 bar)

Base in alluminio
Aluminium subplate

CETOP 3 - NG 06

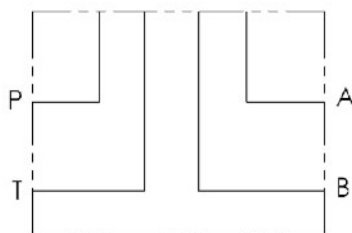
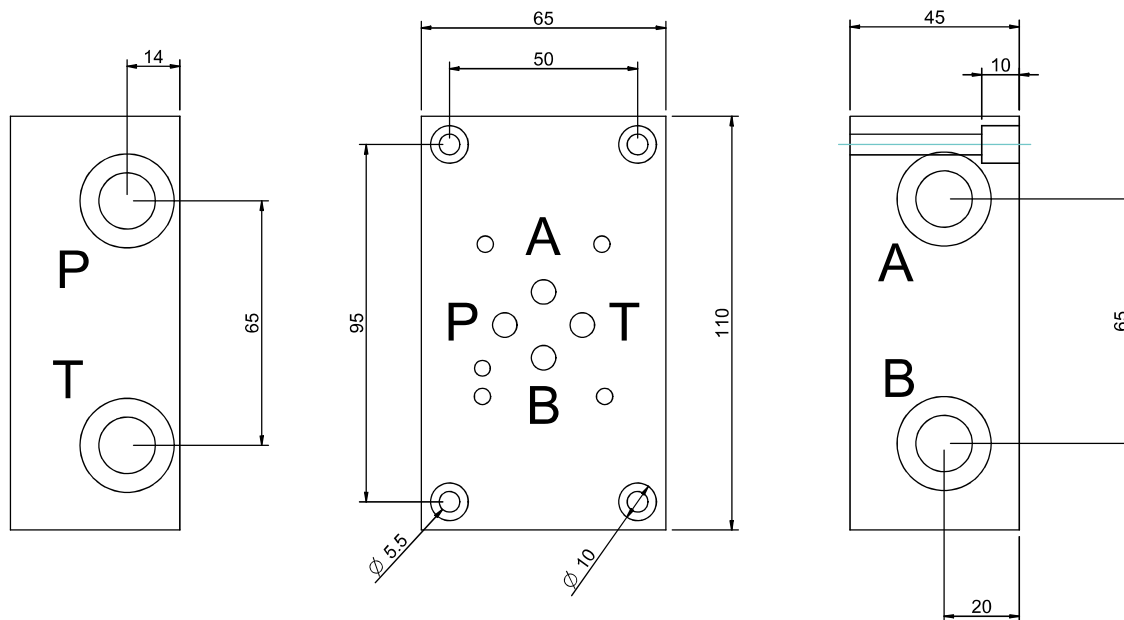
B = (P - T - A - B) G3/8

z = predisposta per valvole
machined for relief valve
x = con valvola di max
with built-in relief valve

(P - T) laterali e (A - B) laterali
On side (P - T - A - B) ports

CETOP 3 - NG 06

BASE CON COLLEGAMENTO P - T - A - B LATERALI LATO OPPOSTO
SINGLE SUBPLATE WITH REAR ON OPPOSITE SIDE P - T - A - B PORTS



Versione standard in alluminio
Standard type with aluminium

Pressione massima di lavoro = 250 bar
Max working pressure = 250 bar

Esempio codice di ordinazione - *Ordering example*

BSA 06 # LL

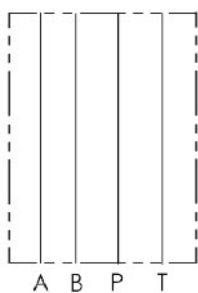
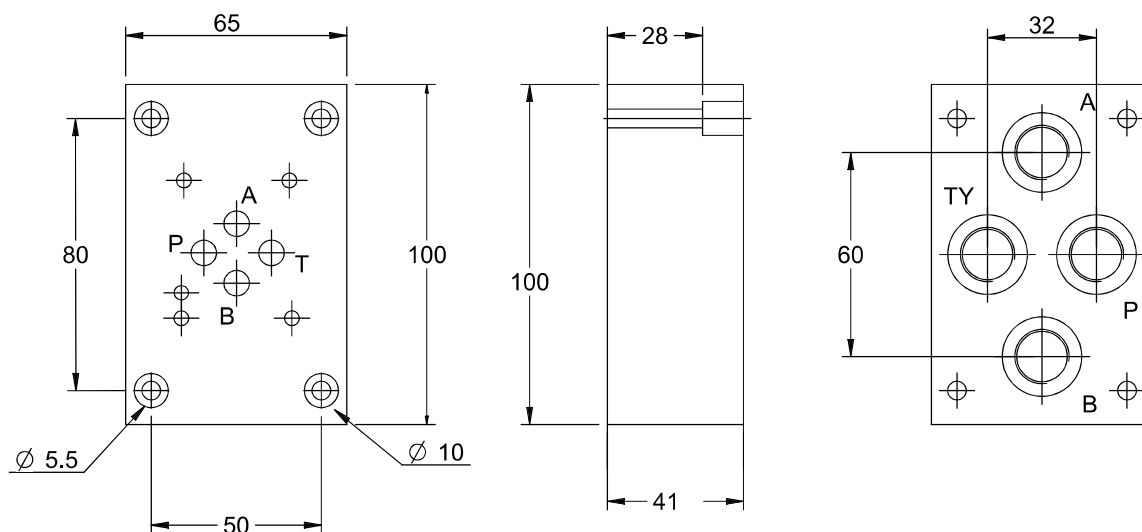
Base in alluminio
Aluminium subplate

CETOP 3 - NG 06

A = (P - T - A - B) G1/4
B = (P - T - A - B) G3/8

(P - T - A - B) laterali lato opposto
On side (P - T - A - B)

BASE CON COLLEGAMENTO P - T - A - B POSTERIORE
SINGLE SUBPLATE WITH ON REAR P - T - A - B PORTS



Versione standard in ghisa
Standard type with cast iron

Pressione massima = 350 bar
Max working pressure = 350 bar

Esempio codice di ordinazione - *Ordering example*

BSG 06 # P-A

Base in ghisa
Cast iron subplates

CETOP 3 - NG 06

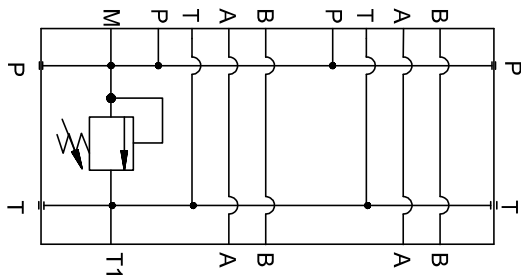
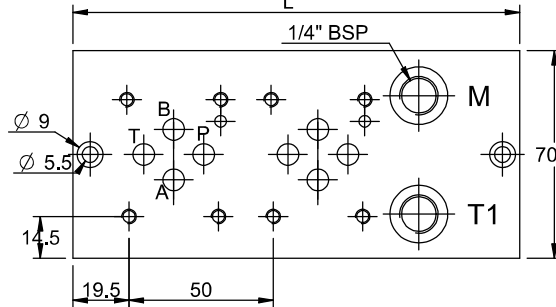
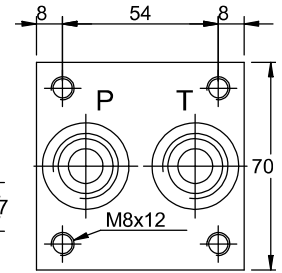
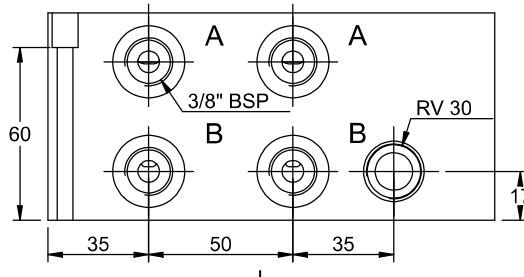
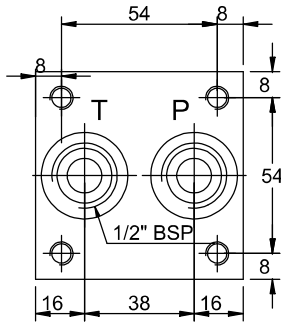
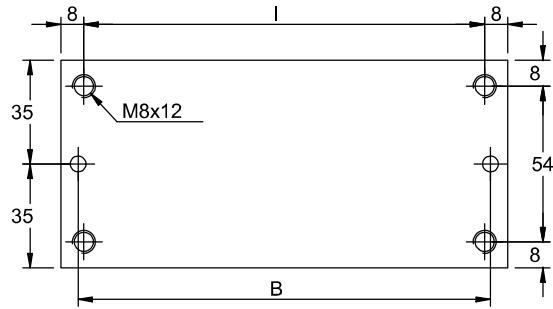
A = (P - T - A - B) G1/4
B = (P - T - A - B) G3/8

(P - T - A - B) posteriori
On rear (P - T - A - B) ports

CETOP 3 - NG 06

BLOCCO MULTIPLO ATTACCHI LATERALI COLLEGAMENTO PARALLELO
 MONOBLOCK WITH ON SIDE PORTS PARALLEL CONNECTION

Postaz. N° N° Stations	L	I	B	Kg
2	155	139	143	2,0
3	205	189	193	2,7
4	255	239	243	3,3
5	305	289	293	4,0
6	355	339	343	4,6
7	405	389	393	5,3
8	455	439	443	6,0
9	505	489	493	6,7
10	Special drawing			



Versione standard in alluminio
 Standard type with aluminium

Pressione massima di lavoro = 250 bar
 Max working pressure = 250 bar

Caratteristiche valvola di massima
 vedere a pagina 63
 For further information regarding relief
 valve please see page 63

Esempio codice di ordinazione - Ordering example

BMA 06 P 2 L # # - # — 05 = (5-50 bar)
 — 20 = (30-210 bar)
 — 35 = (100-350 bar)

Monoblocco alluminio
 Aluminium monoblock

CETOP 3 - NG 06

Collegamento in parallelo
 Parallel connection

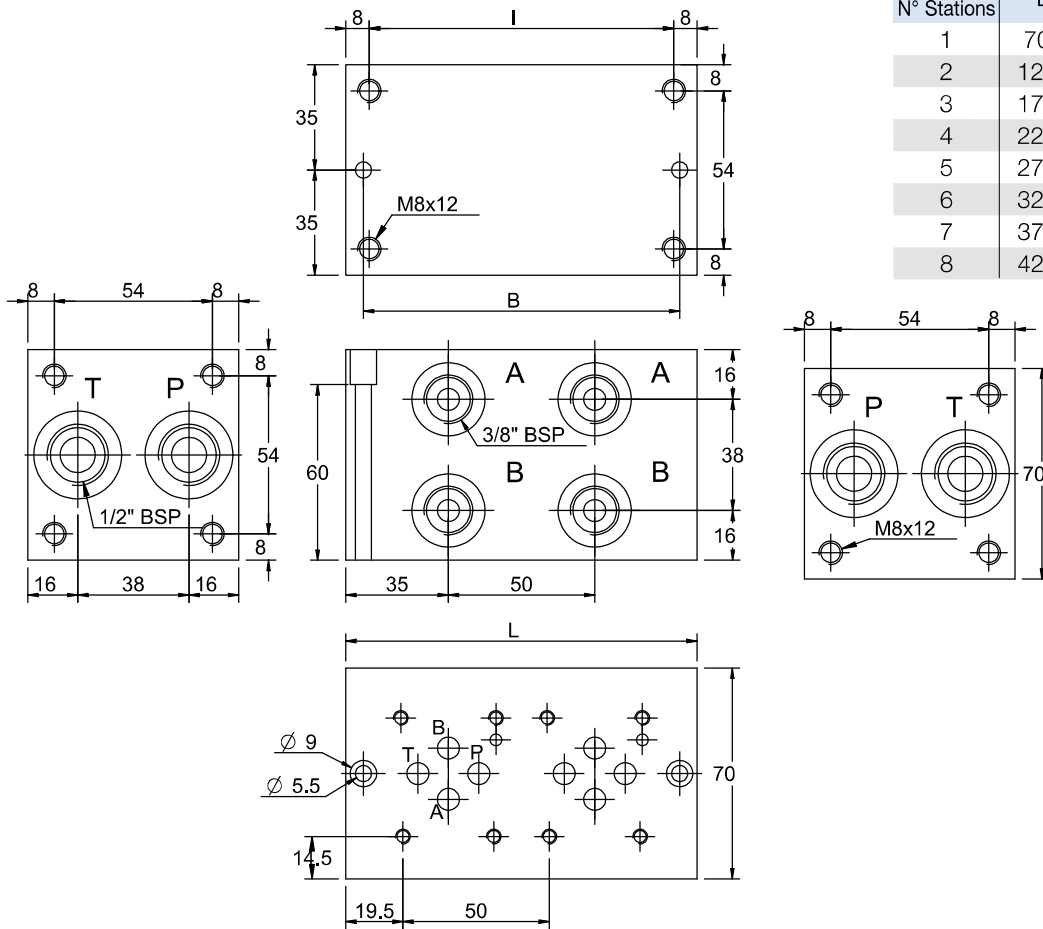
Attacchi - Ports (P - T = G1/2 A - B = G3/8)

z = predisposta per valvole
 machined for relief valve
 x = con valvola di max
 with built-in relief valve

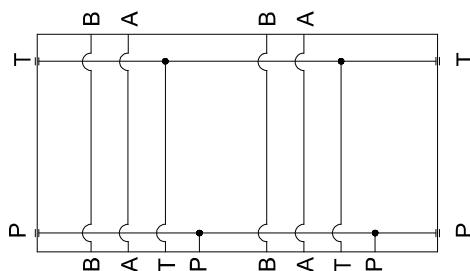
1 - 2 - 3 - 4 - 5 - 6 - 7 - 8 - 9 - 10
 Numero postazioni - Stations number

Configurazione con attacchi laterali
 On side ports

BLOCCO MULTIPLO ATTACCHI LATERALI COLLEGAMENTO PARALLELO
MONOBLOCK WITH ON SIDE PORTS PARALLEL CONNECTION



Postaz. N° N° Stations	L	I	B	Kg
1	70	54	58	0,9
2	120	104	108	1,5
3	170	154	158	2,2
4	220	204	208	2,8
5	270	254	258	3,5
6	320	304	308	4,2
7	370	354	358	4,8
8	420	404	408	5,5



Versione standard in alluminio
 Standard type with aluminium

Pressione massima di lavoro = 250 bar
 Max working pressure = 250 bar

Esempio codice di ordinazione - Ordering example

BMA 06 P 2 L #

Monoblocco alluminio
 Aluminium monoblock

CETOP 3 - NG 06

Collegamento in parallelo
 Parallel connection

Attacchi - Ports (P - T = G1/2 A - B = G3/8)

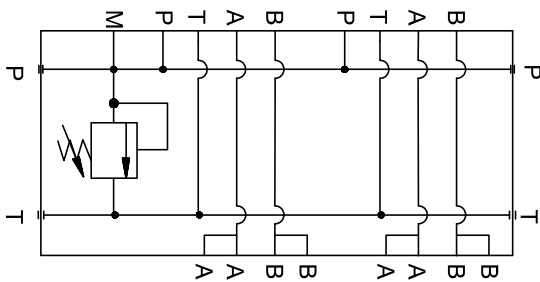
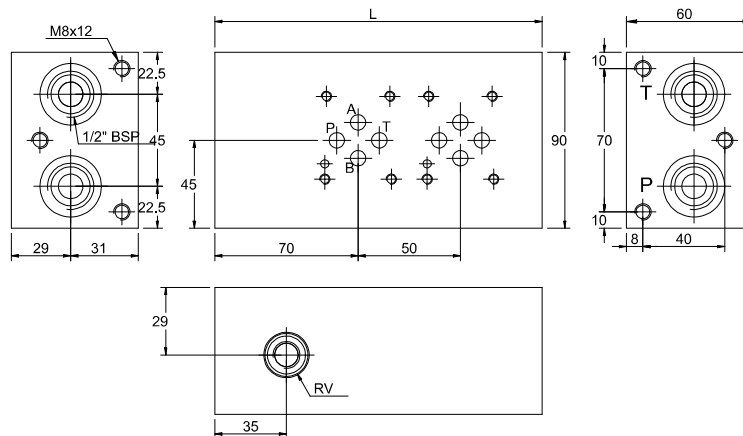
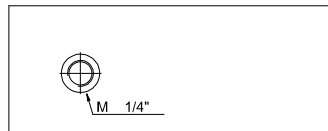
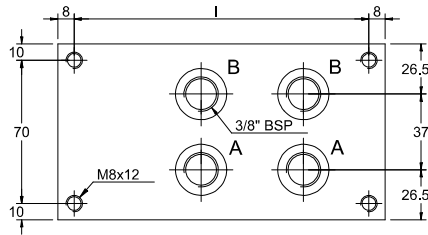
1 - 2 - 3 - 4 - 5 - 6 - 7 - 8
 Numero postazioni - Stations number

Configurazione con attacchi laterali
 On side ports

CETOP 3 - NG 06

BLOCCO MULTIPLO ATTACCHI POSTERIORI COLLEGAMENTO PARALLELO
MONOBLOCK WITH ON REAR PORTS PARALLEL CONNECTION

Postaz. N° N° Stations	L	I	Kg
2	160	144	2,3
3	210	194	3,0
4	260	244	3,7
5	310	294	4,5
6	360	344	5,2
7	410	394	5,9
8	460	444	7,0



Versione standard in alluminio
Standard type with aluminium

Pressione massima di lavoro = 250 bar
Max working pressure = 250 bar

Caratteristiche valvola di massima 63
For further information regarding relief
valve please see page 63

Esempio codice di ordinazione - Ordering example

BMA 06 P 2 P # # - #

05 = (5-50 bar)

20 = (30-210 bar)

35 = (100-350 bar)

Monoblocco alluminio
Aluminium monoblock

CETOP 3 - NG 06

Collegamento in parallelo
Parallel connection

Attacchi - Ports (P - T = G1/2 A - B = G3/8)

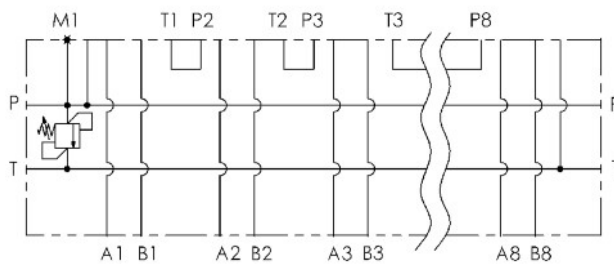
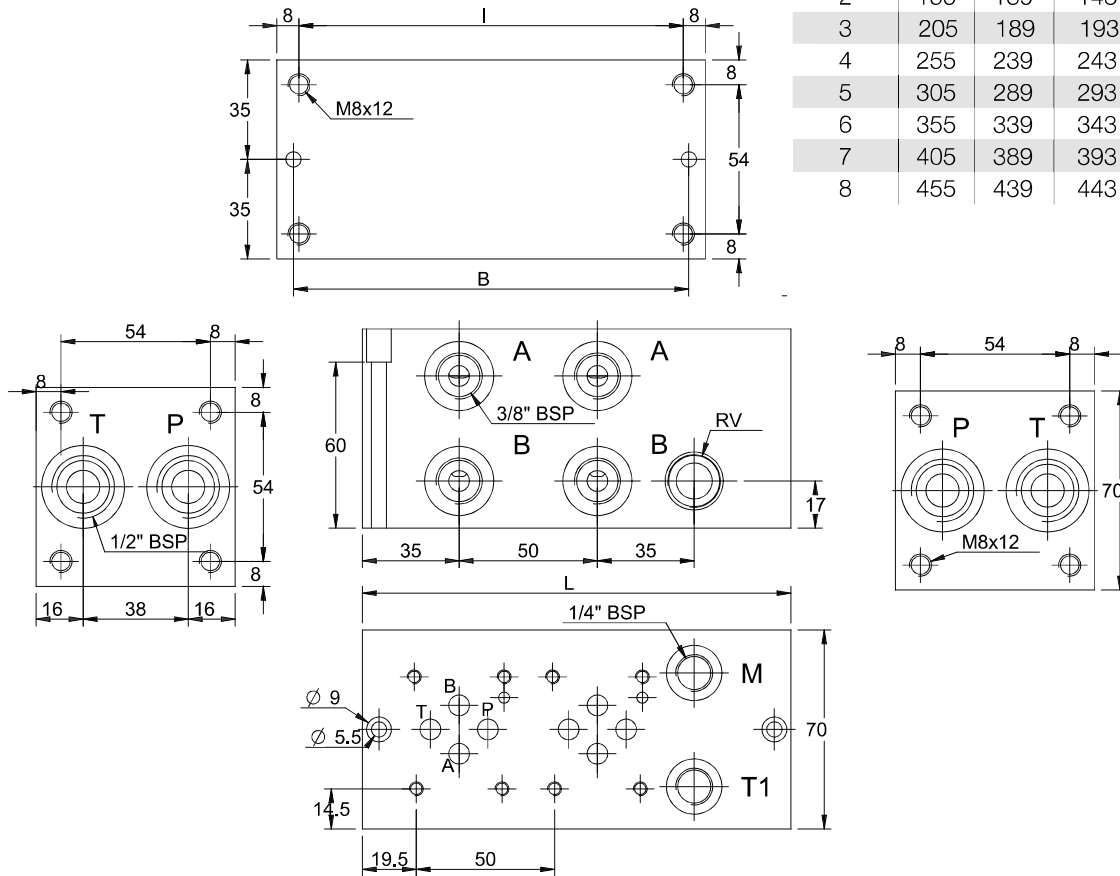
z = predisposta per valvole
machined for relief valve
x = con valvola di max
with built-in relief valve

1 - 2 - 3 - 4 - 5 - 6 - 7 - 8
Numero postazioni - Stations number

Configurazione con attacchi posteriori
On rear ports

BLOCCO MULTIPLO ATTACCHI LATERALI COLLEGAMENTO SERIE CETOP 3 - NG 06
MONOBLOCK WITH ON SIDE PORTS SERIES CONNECTION CETOP 3 - NG 06

Postaz. N° N° Stations	L	I	B	Kg
2	155	139	143	2,0
3	205	189	193	2,7
4	255	239	243	3,3
5	305	289	293	4,0
6	355	339	343	4,6
7	405	389	393	5,3
8	455	439	443	6,0



Versione standard in alluminio
 Standard type with aluminium

Pressione massima di lavoro = 250 bar
 Max working pressure = 250 bar

Caratteristiche valvola di massima
 vedere a pagina 63
 For further information regarding relief
 valve please see page 63

Esempio codice di ordinazione - Ordering example

BMA 06 S 2 L # # - # — 05 = (5-50 bar)
 — 20 = (30-210 bar)
 — 35 = (100-350 bar)

Monoblocco alluminio
 Aluminium monoblock

CETOP 3 - NG 06

Collegamento in serie
 Series connection

Attacchi - Ports (P - T = G1/2 A - B = G3/8)

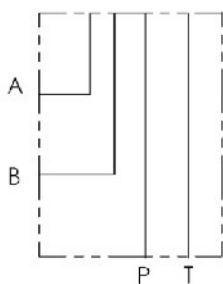
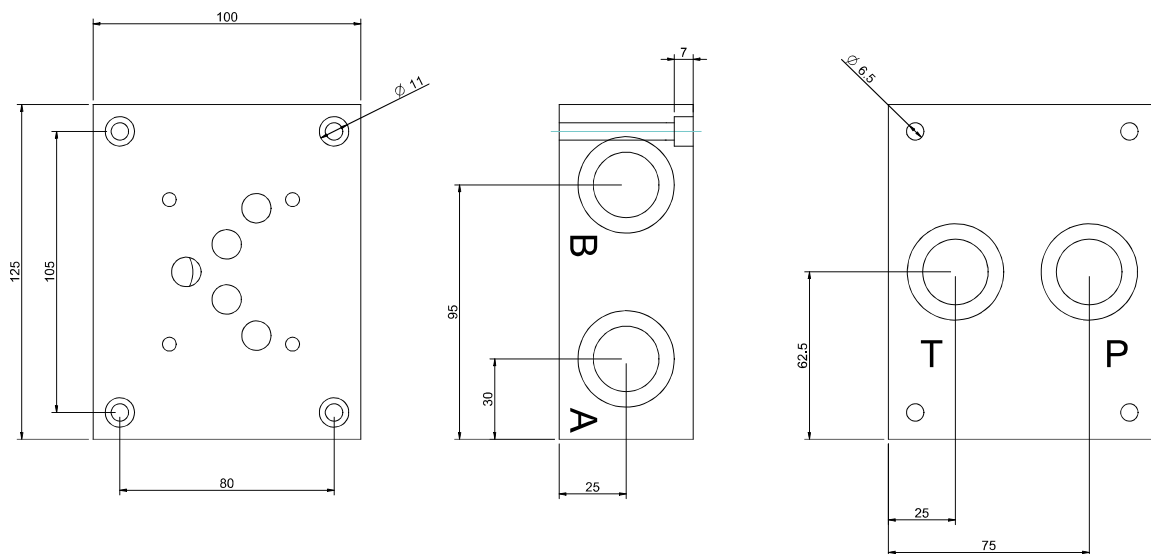
z = predisposta per valvole
 machined for relief valve
 x = con valvola di max
 with built-in relief valve

2 - 3 - 4 - 5 - 6 - 7 - 8
 Numero postazioni - Stations number

Configurazione con attacchi laterali
 On side ports

CETOP 5 - NG 10

BASE CON COLLEGAMENTO P - T POSTERIORI E A - B LATERALI
SINGLE SUBPLATE ON REAR P - T AND ON SIDE A - B



Versione standard in alluminio
Standard type with aluminium

Pressione massima di lavoro = 250 bar
Max working pressure = 250 bar

Esempio codice di ordinazione - *Ordering example*

BSA 10 # PL

Monoblocco alluminio
Aluminium monoblock

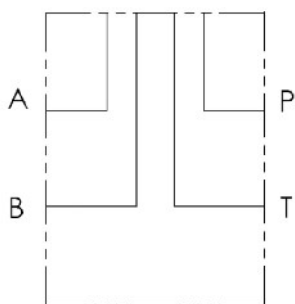
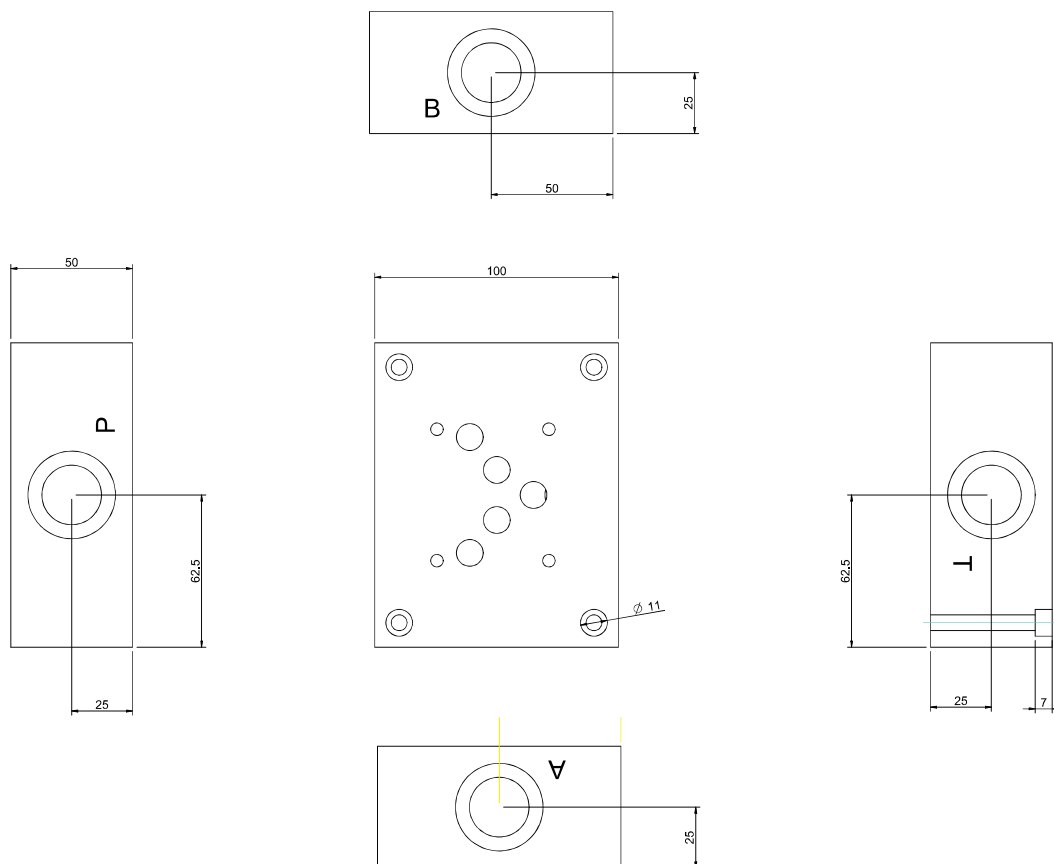
CETOP 5 - NG 10

C = (P - T - A - B) G1/2

D = (P - T - A - B) G3/4

(P - T) posteriori e (A - B) laterali
On rear (P - T) on side (A - B)

BASE CON COLLEGAMENTO P - T - A - B LATERALI A CROCE
 SINGLE SUBPLATE WITH RADIAL SIDE P - T - A - B PORTS



Versione standard in alluminio
 Standard type with aluminium

Pressione massima di lavoro = 250 bar
 Max working pressure = 250 bar

Esempio codice di ordinazione - *Ordering example*

BSA 10 # L

Monoblocco alluminio
 Aluminium monoblock

CETOP 5 - NG 10

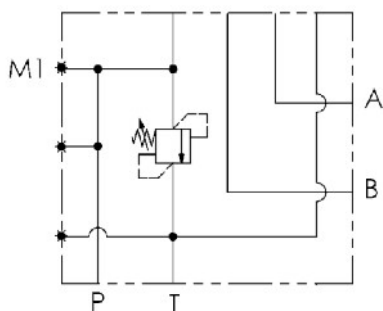
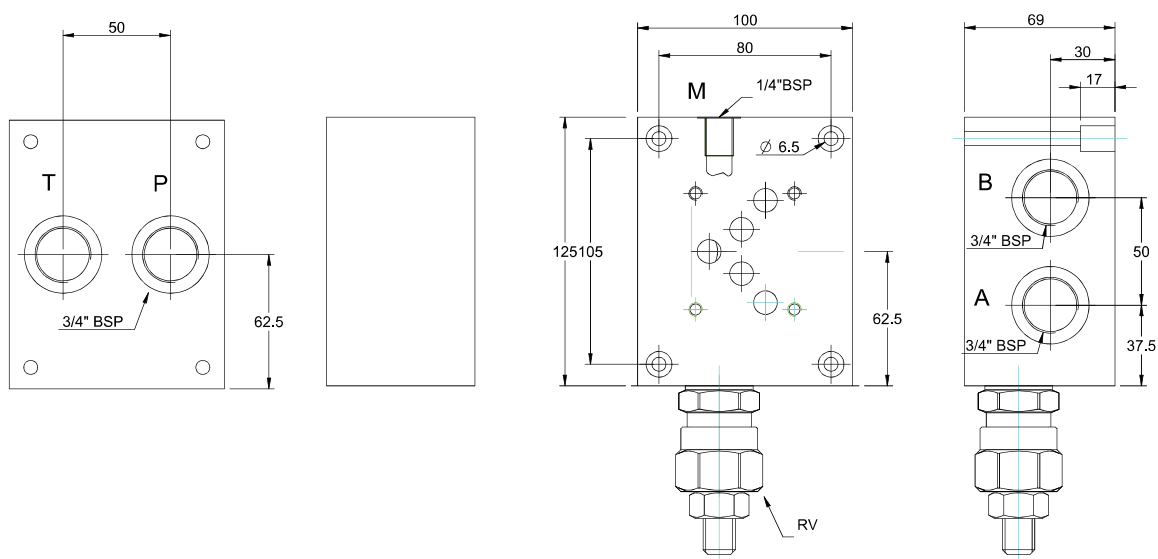
C = (P - T - A - B) G1/2

D = (P - T - A - B) G3/4

(P - T - A - B) laterali a croce
 Radial side (P - T - A - B) ports

CETOP 5 - NG 10

BASE CON COLLEGAMENTO P - T POSTERIORI E A - B LATERALI
SINGLE SUBPLATE ON REAR P - T AND ON SIDE A - B



Versione standard in alluminio
Standard type with aluminium

Pressione massima di lavoro = 250 bar
Max working pressure = 250 bar

Caratteristiche valvola di massima
vedere a pagina 64

For further information regarding relief
valve please see page 64

Esempio codice di ordinazione - *Ordering example*

BSA 10 # PL # - # — 10 = (35-100 bar)
20 = (80-250 bar)

Base in alluminio
Aluminium subplate

CETOP 5 - NG 10

C = (P - T - A - B) G1/2

D = (P - T - A - B) G3/4

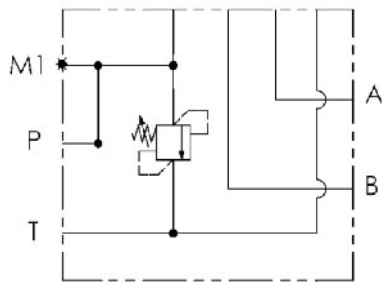
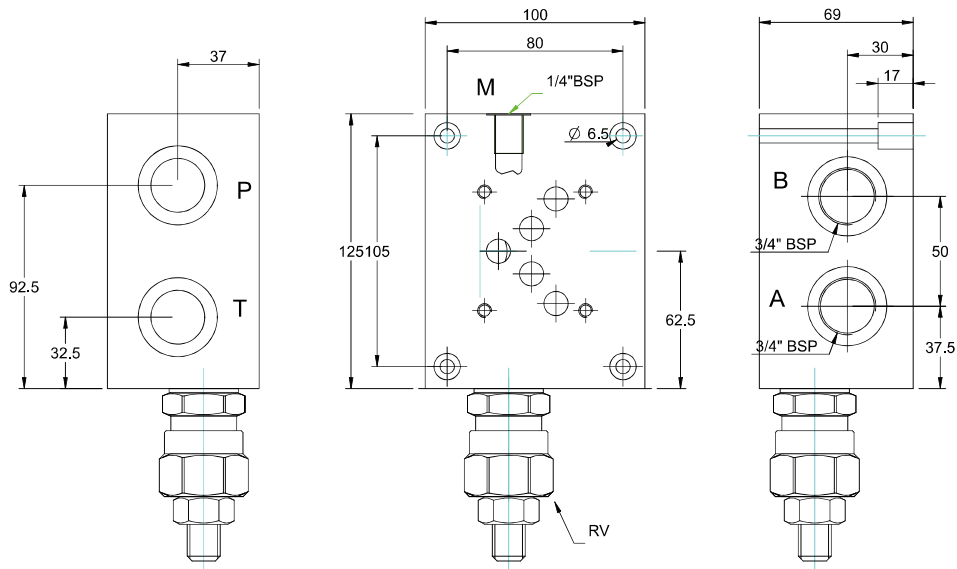
z = predisposta per valvole
machined for relief valve
x = con valvola di max
with built-in relief valve

(P - T) posteriori e (A - B) laterali
On rear (P - T) on side (A - B)

CETOP 5 - NG 10

03

BASE CON COLLEGAMENTO P - T - A - B LATERALI
SINGLE SUBPLATE ON SIDE P - T - A - B PORTS



Versione standard in alluminio
Standard type with aluminium

Pressione massima di lavoro = 250 bar
Max working pressure = 250 bar

Caratteristiche valvola di massima
vedere a pagina 64
For further information regarding relief
valve please see page 64

Esempio codice di ordinazione - *Ordering example*

BSA 10 # LL # - # ——— 10 = (35-100 bar)
20 = (80-250 bar)

Base in alluminio
Aluminium subplate

CETOP 5 - NG 10

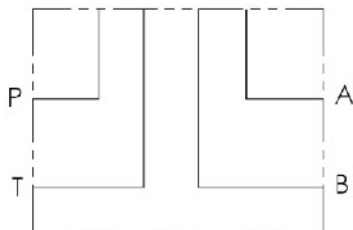
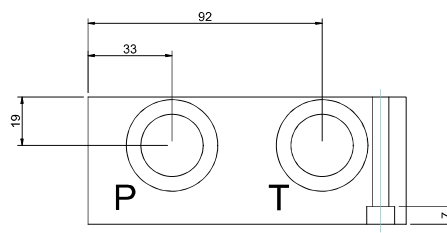
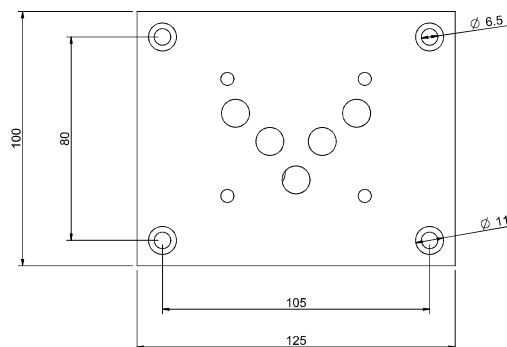
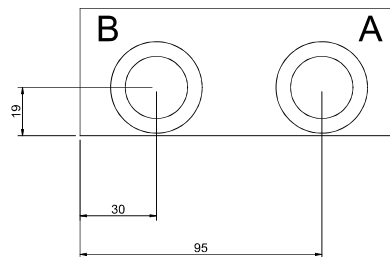
C = (P - T - A - B) G1/2
D = (P - T - A - B) G3/4

z = predisposta per valvole
machined for relief valve
x = con valvola di max
with built-in relief valve

(P - T - A - B) laterali
(P - T - A - B) on side

CETOP 5 - NG 10

BASE CON COLLEGAMENTO P - T - A - B LATERALI LATO OPPOSTO
 SINGLE SUBPLATE WITH REAR ON OPPOSITE SIDE P - T - A - B PORTS



Versione standard in alluminio
 Standard type with aluminium

Pressione massima di lavoro = 250 bar
 Max working pressure = 250 bar

Esempio codice di ordinazione - *Ordering example*

BSA 10 # LL

Base in alluminio
 Aluminium subplate

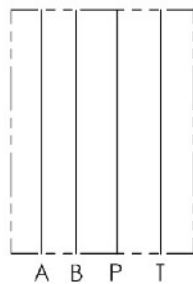
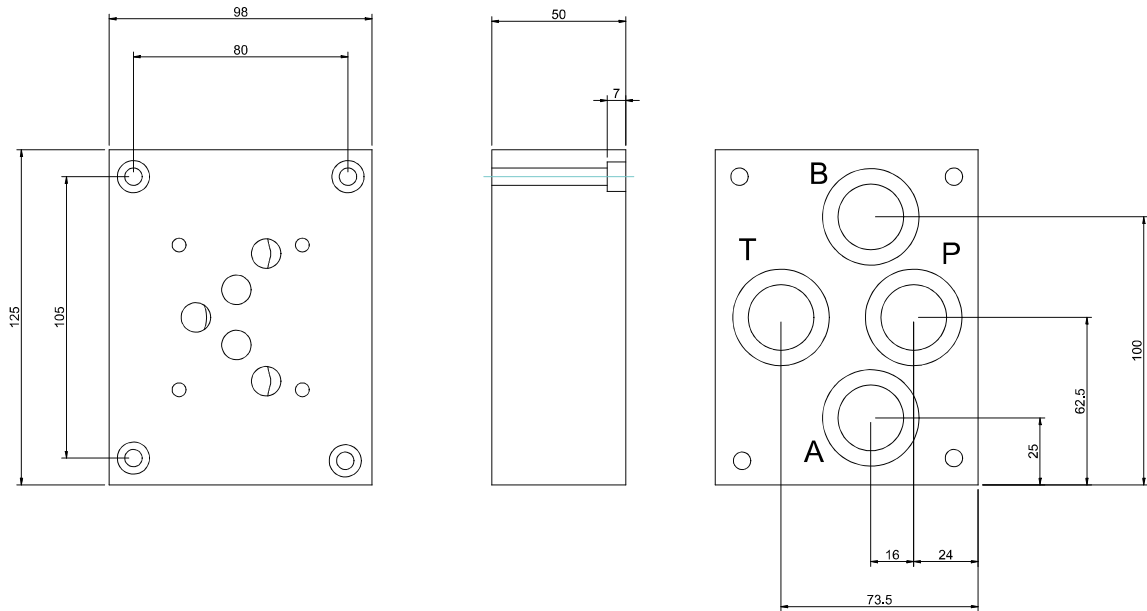
CETOP 5 - NG 10

C = (P - T - A - B) G1/2

D = (P - T - A - B) G3/4

(P - T - A - B) laterali lato opposto
 On side (P - T - A - B) ports

BASE CON COLLEGAMENTO P - T - A - B POSTERIORE
 SINGLE SUBPLATE WITH ON REAR P - T - A - B PORTS



Versione standard in ghisa
 Standard type with cast iron

Pressione massima = 300 bar
 Max working pressure = 300 bar

Esempio codice di ordinazione - *Ordering example*

BSG 10 D P-A

Base in acciaio
 Steel subplate

CETOP 5 - NG 10

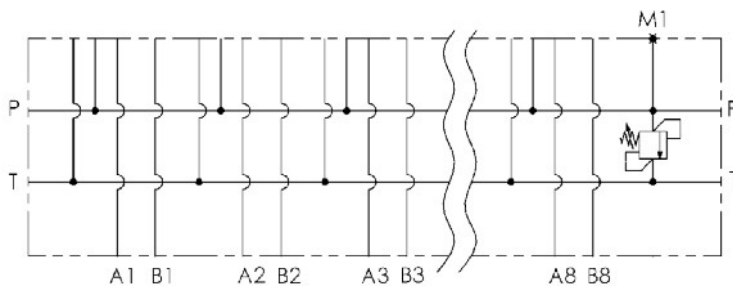
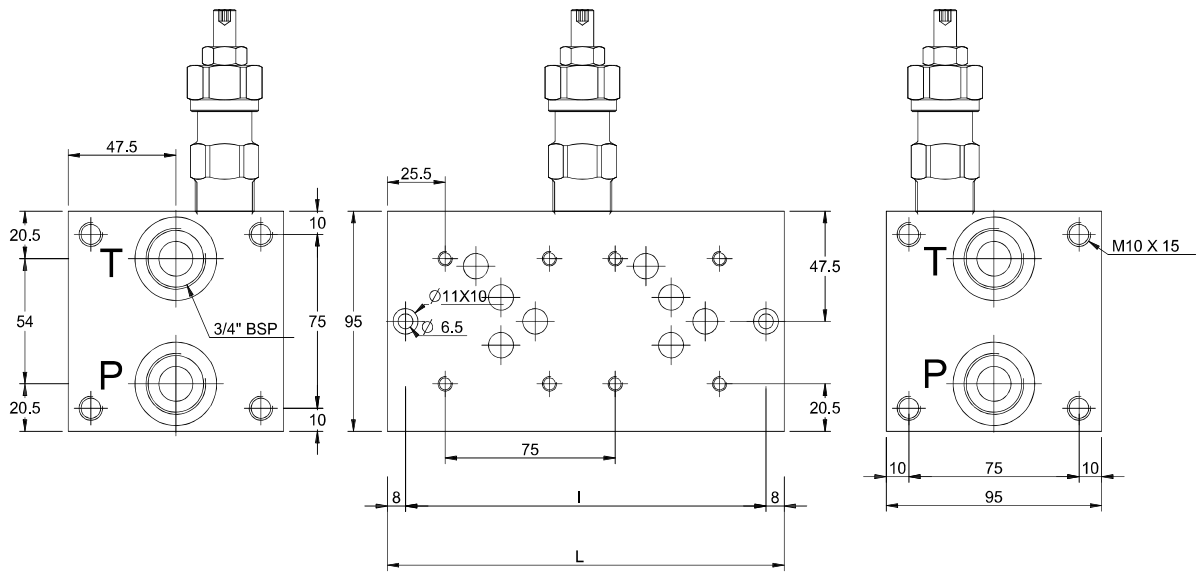
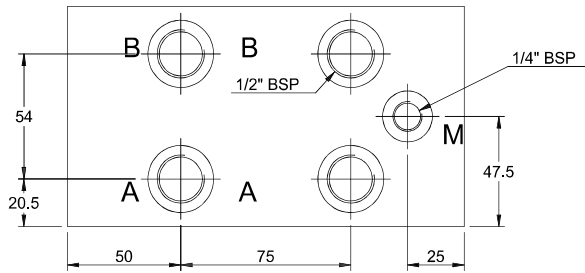
(P - T - A - B) G3/4

(P - T - A - B) posteriori
 On rear (P - T - A - B) ports

CETOP 5 - NG 10

BLOCCO MULTIPLO ATTACCHI LATERALI COLLEGAMENTO PARALLELO
 MONOBLOCK WITH ON SIDE PORTS PARALLEL CONNECTION

Postaz. N° N° Stations	L	I	Kg	
solo versione 0 only version 0	1/0	100	84	6
solo ver. 1 or 2 only ver. 1 or 2	1/1	140	124	9
	2	175	159	11
	3	250	234	16
	4	325	309	21
	5	400	384	26
	6	425	409	31



Versione standard in alluminio
 Standard type with aluminium

Pressione massima di lavoro = 250 bar
 Max working pressure = 250 bar

Caratteristiche valvola di massima
 vedere a pagina 64
 For further information regarding relief
 valve please see page 64

Esempio codice di ordinazione - Ordering example

BMA 10 P 3 L # # - # — 10 = (35-100 bar)
 — 20 = (80-250 bar)

Monoblocco alluminio
 Aluminium monoblock

CETOP 5 - NG 10

Collegamento in parallelo
 Parallel connection

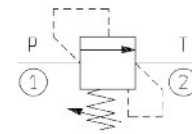
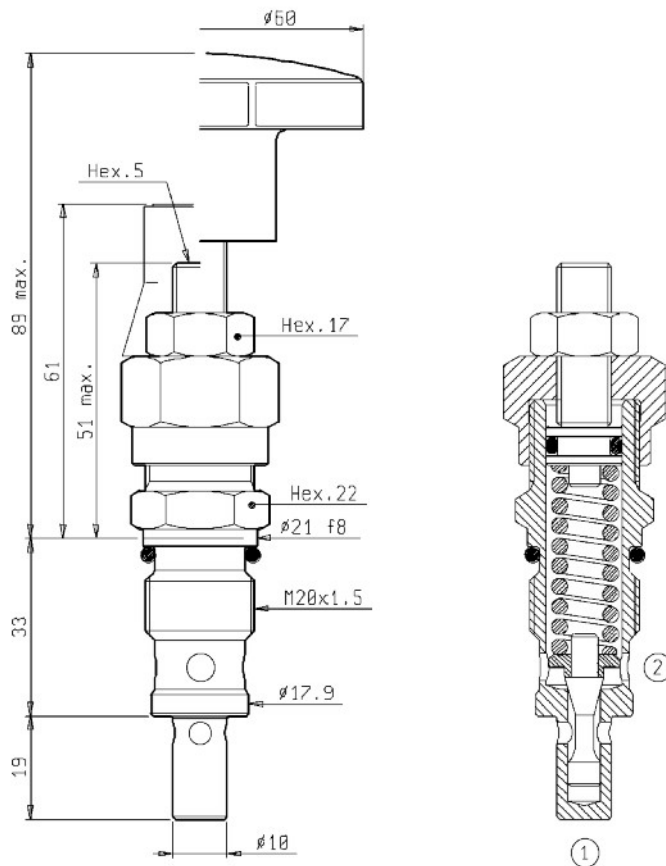
Attacchi - Ports (P - T = G3/4 A - B = G1/2)

z = predisposta per valvole
 machined for relief valve
 x = con valvola di max
 with built-in relief valve

1 - 2 - 3 - 4 - 5 - 6 - 7 - 8
 Numero postazioni - Stations number

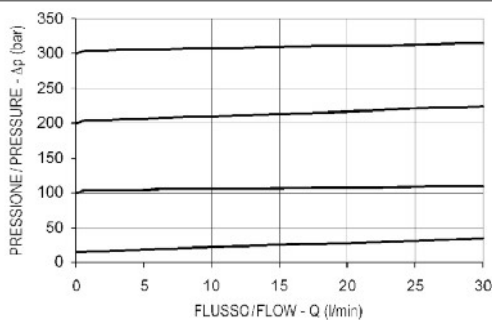
Configurazione con attacchi laterali
 On side ports

VALVOLA DI MASSIMA PRESSIONE
DIRECT POPPET TYPE RELIEF



DATI TECNICI / TECHNICAL DATA

Coppie di serraggio Installation torque	46-51 Nm
Pressione di lavoro max Max working pressure	350 bar
Portata max Max flow	30 l/min
Peso Weight	0.17 kg



REGOLAZIONI / ADJUSTMENTS

Vite esterna
Socket screrw



Volantino
Handknob

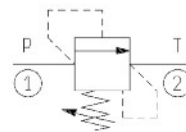
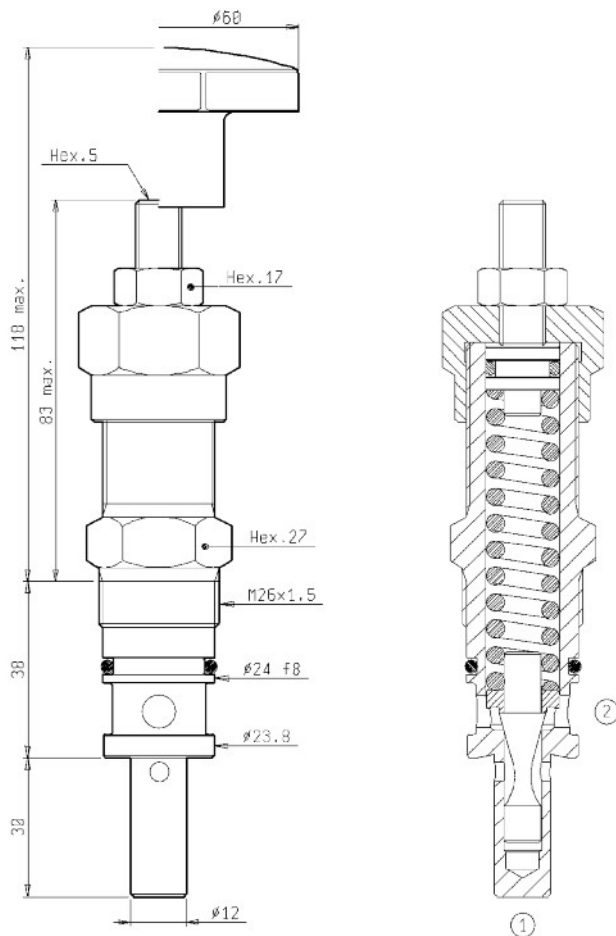


Esempio codice di ordinazione - Ordering example

R02010300 ##

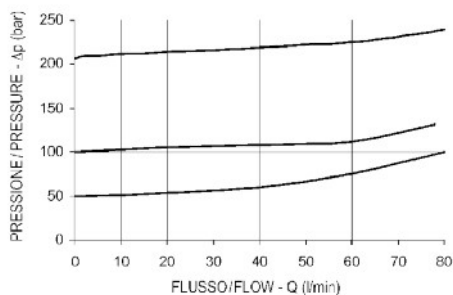
Tarature / Setting
05 = (5-50 bar)
20 = (30-210 bar)
35 = (100-350 bar)

VALVOLA DI MASSIMA PRESSIONE
DIRECT POPPET TYPE RELIEF



DATI TECNICI / TECHNICAL DATA

Coppie di serraggio Installation torque	83-92 Nm
Pressione di lavoro max Max working pressure	250 bar
Portata max Max flow	80 l/min
Peso Weight	0.35 kg



REGOLAZIONI / ADJUSTMENTS

Vite esterna
Socket screw



Volantino
Handknob



Esempio codice di ordinazione - *Ordering example*

R02010301 ##

Tarature / Setting
10 = (35-100 bar)
20 = (80-250 bar)

DNV·GL		
MANAGEMENT SYSTEM CERTIFICATE		
Certificato no./Certificate No.: 68359-2009-AQ-TA-SINCERT	Data prima emissione/Initial date: 30 ottobre 2009	Validità/Valid: 30 ottobre 2018 - 30 ottobre 2021
Si certifica che il sistema di gestione di/This is to certify that the management system of		
OMT S.p.A. - Sede Legale e Operativa Via Lombardia, 14 - 24040 Calvenzano (BG) - Italy		
È conforme ai requisiti della norma per il Sistema di Gestione Qualità/ has been found to conform to the Quality Management System standard: ISO 9001:2015		
Questa certificazione è valida per il seguente campo applicativo: Progettazione e produzione di scambiatori di calore, componenti per applicazioni oleodinamiche, accumulatori di pressione a sacca, a pistone e sistemi industriali di accumulatori per grandi volumi (EA: 18, 17)	This certificate is valid for the following scope: Design and manufacture of Heat Exchangers, components for hydraulic applications, pressure bladder and piston accumulators and industrial systems for large volume accumulators (EA: 18, 17)	
Lungo e Data/Face and date: Vimercate (MB), 17 agosto 2018		Per l'Organismo di Certificazione/ For the Certification Body DNV GL - Business Assurance Via Energy Park, 14 - 20871 Vimercate (MB) - Italy  Zeno Beltrami Management Representative
<small>La validità del presente Certificato è subordinata al rispetto delle condizioni contenute nel Contratto di Certificazione/ Lack of fullfment of conditions as set out in the Certification Agreement may render this Certificate invalid. DNV GL Business Assurance Italia S.p.A. Via Energy Park, 14 - 20871 Vimercate (MB) - Italy - TEL: +39 03 99 995, www.dnvgi.it</small>		

**SISTEMA DI GESTIONE QUALITÀ
QUALITY MANAGEMENT SYSTEM**

Con il fine di migliorare costantemente la qualità dei nostri prodotti, ci riserviamo il diritto di modificarne in qualsiasi momento le caratteristiche senza preavviso. È responsabilità della spettabile clientela la costante verifica dei dati contenuti nei cataloghi. Questo catalogo annulla e sostituisce i precedenti.

In order to constantly improve our products quality, we take the right to make changes to the catalogues at any time without notice. Customers have the responsibility to continuously check all the information in the catalogues. This catalogue cancels and replaces the previous ones.



Via Lombardia, 14
24040 Calvenzano (BG) - Italy
Tel.: +39 0363 86.03.11 (8 linee)
Fax: +39 0363 33.56.20
Fax comm. dep.: +39 0363 33.56.36



www.omtgroup.it
omtgroup@omtgroup.it

