

# Valves series A1

## 1/4", 5/2 - 5/3, manually operated



### Standard executions

Version	Symbol	Code	Item
5/2 side lever 1 position		034078	A1MA250LL
5/2 side lever 2 positions		034079	A1MA251LL
5/3 side lever closed centres, 1 position		034072	A1MA270LL
5/3 side lever open centres, 1 position		034081	A1MA271LL
5/3 side lever pressurised centres, 1 position		034080	A1MA272LL
5/3 side lever closed centres, 3 positions		034075	A1MA273LL
5/3 side lever open centres, 3 positions		034073	A1MA274LL
5/3 side lever pressurised centres, 3 positions		034074	A1MA275LL
5/2 top lever 2 positions		034105	A1MA251LT
5/2 push-pull 1 position		034106	A1MA250TT
5/2 push-pull 2 positions		034107	A1MA251TT



Series of spool valves, with static seals, high flow, for panel or sub-base mounting.

### Code key

Series	Actuation	Size	Function	Configuration	Options
A1	MA = Manual	2 = 1/4"	50 = 5/2 spring return 51 = 5/2 two stable positions 70 = 5/3 CC spring return 71 = 5/3 OC spring return 72 = 5/3 PC spring return 73 = 5/3 CC 3 positions 74 = 5/3 OC 3 positions 75 = 5/3 PC 3 positions	LL = side lever LT* = top lever TT** = push-pull	BT = low temp. seals

\* only for 5/2 spring return (50)

\*\* only for 5/2 spring return (50) and for 5/2 two stable position (51)

Options	Suffix
Low temperature seals (-25 ÷ +60°C)	BT



On request, they can be supplied according to 2014/34/EU - ATEX

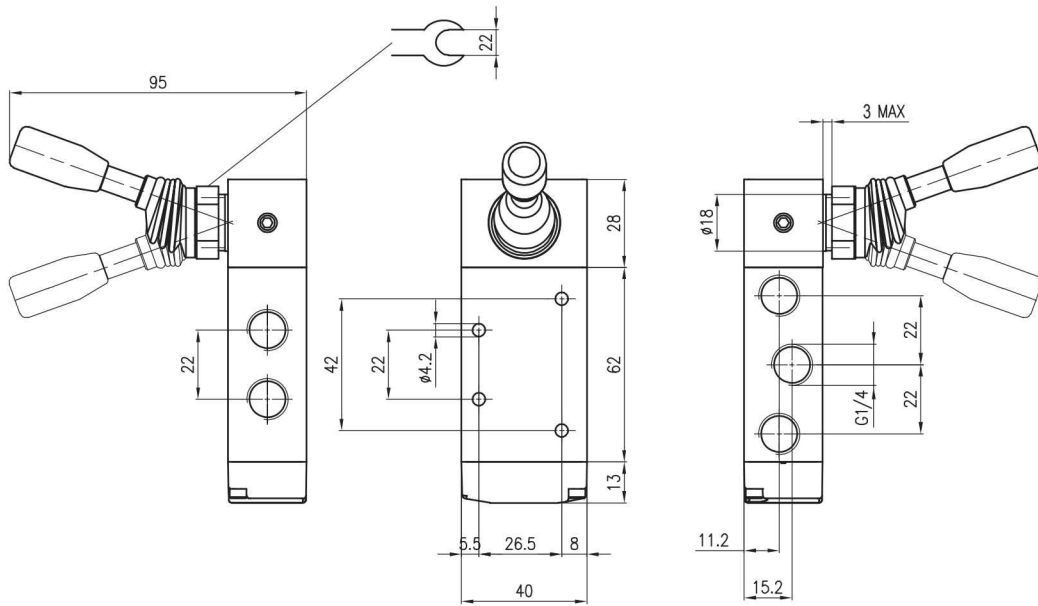
### Technical data

Fluid	Compressed filtered air with or without lubrication. Lubrication, if started, must be continued.	
Pressure range	0 ÷ 10 bar	
Temperature range	-10°C ÷ +80°C (standard)	-25°C ÷ +60°C (BT)
Orifice	8 mm	
Flow	1100 NI/min at 6 bar with ΔP 1 bar	
Mounting	In any position	
Materials	Body:	Anodised aluminium
	Cover:	Anodised aluminium
	Bottom plates:	Hostaform C 13031
	Spool:	Hard aluminium anodized
	Distancers:	Ixef 1022
	Seals:	Hydrogenated Nitrile Butadiene Rubber (HNBR)
	Lever:	Steel

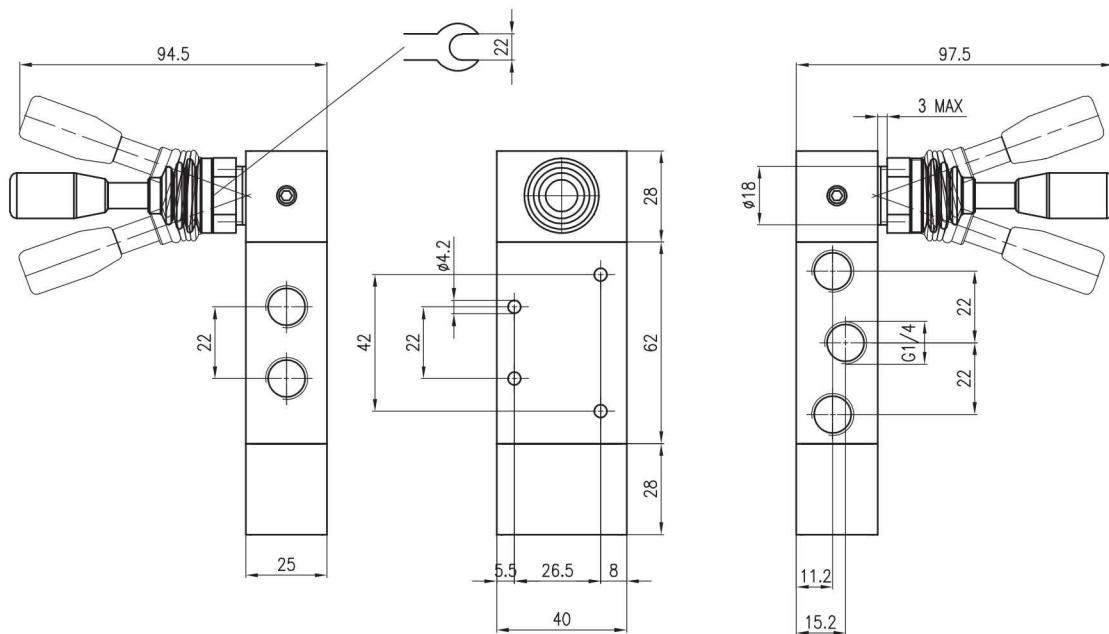
Valves series A1  
1/4", 5/2 - 5/3, manually operated



2

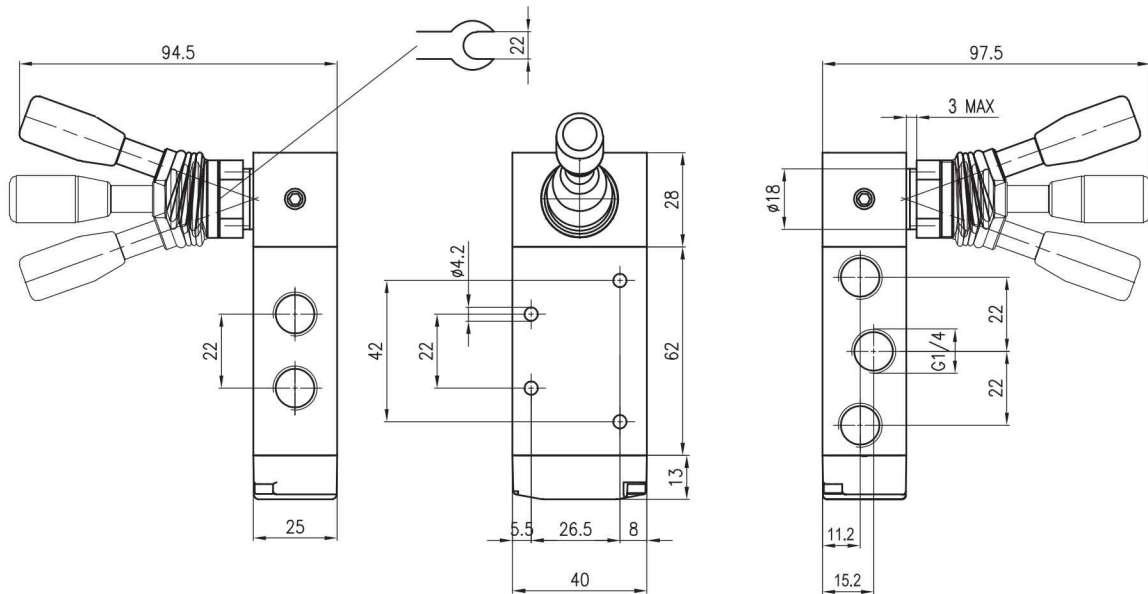


Version	Symbol	Code	Item
5/2 side lever, 1 position		034078	A1MA250LL
5/2 side lever, 2 positions		034079	A1MA251LL

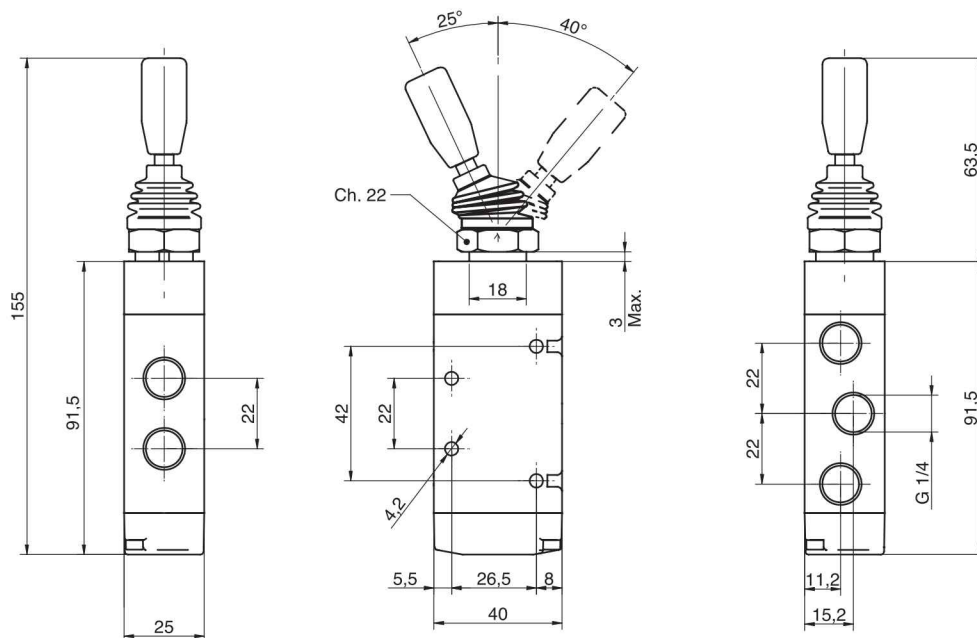


Version	Symbol	Code	Item
5/3 side lever, closed centres, 1 position		034072	A1MA270LL
5/3 side lever, open centres, 1 position		034081	A1MA271LL
5/3 side lever, pressurised centres, 1 position		034080	A1MA272LL

Valves series A1  
1/4", 5/2 - 5/3, manually operated

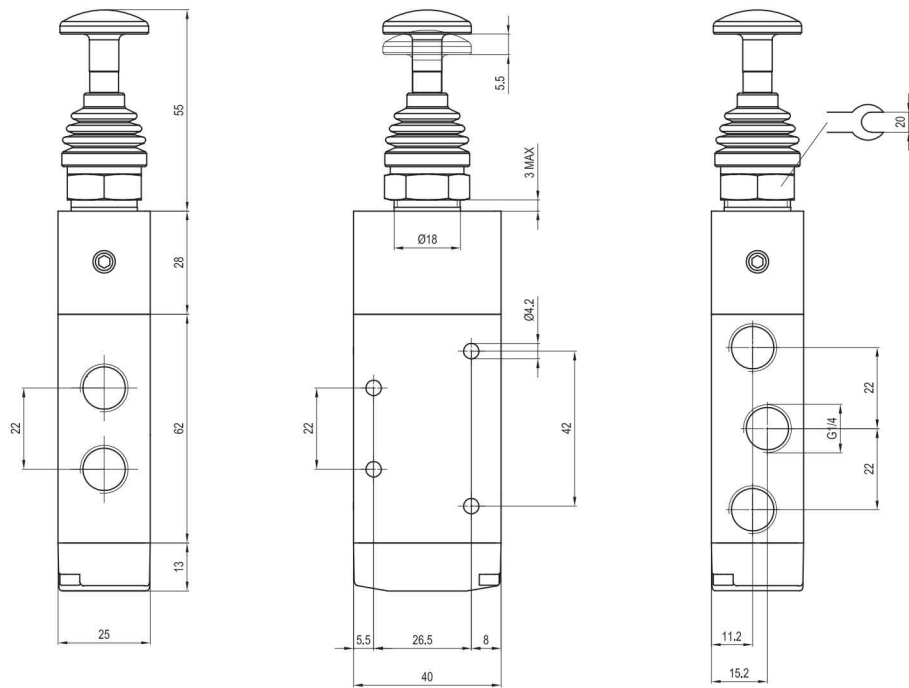


Version	Symbol	Code	Item
5/3 side lever, closed centres, 3 positions		034075	A1MA273LL
5/3 side lever, open centres, 3 positions		034073	A1MA274LL
5/3 side lever, pressurised centres, 3 positions		034074	A1MA275LL



Version	Symbol	Code	Item
5/2 top lever, 2 positions		034105	A1MA251LT

Valves series A1  
1/4", 5/2 - 5/3, manually operated



Version	Symbol	Code	Item
5/2 push-pull, 1 position		034106	A1MA250TT
5/2 push-pull, 2 positions		034107	A1MA251TT

