

# Valves series A1

## 1/8", 5/2 - 5/3, manually operated



Standard executions			
Version	Symbol	Code	Item
5/2 side lever, 1 position		034064	A1MA150LL
5/2 side lever, 2 positions		034063	A1MA151LL
5/3 side lever, 1 position		034062	A1MA170LL
5/3 side lever open centres, 1 position		034066	A1MA171LL
5/3 side lever pressurised centres 1 position		034065	A1MA172LL
5/3 side lever closed centres, 3 positions		034068	A1MA173LL
5/3 side lever, open centres, 3 positions		034067	A1MA174LL
5/3 side lever, pressurised centres 3 positions		034069	A1MA175LL
5/2 top lever, 2 positions		034091	A1MA151LT
5/2 push-pull, 1 position		034092	A1MA150TT
5/2 push-pull, 2 positions		034093	A1MA151TT



Series of spool valves, with static seals, high flow, for panel or sub-base mounting.

### Code key

Series	Actuation	Size	Function	Configuration	Options
A1	MA = Manual	1 = 1/8"	50 = 5/2 spring return 51 = 5/2 two stable positions 70 = 5/3 CC spring return 71 = 5/3 OC spring return 72 = 5/3 PC spring return 73 = 5/3 CC 3 positions 74 = 5/3 OC 3 positions 75 = 5/3 PC 3 positions	LL = side lever LT* = top lever TT** = push-pull	BT = low temp. seals

\* only for 5/2 spring return (50)

\*\* only for 5/2 spring return (50) and for 5/2 two stable position (51)

Options	Suffix
Low temperature seals (-25 ÷ +60°C)	BT

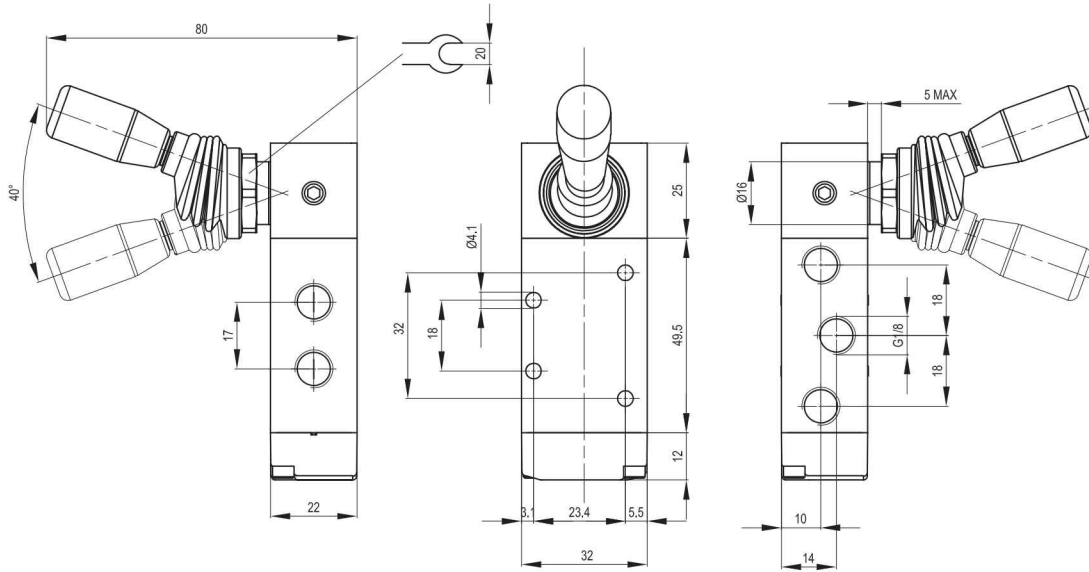


II 2Gc IIB T5  
II 2Dc T100°C

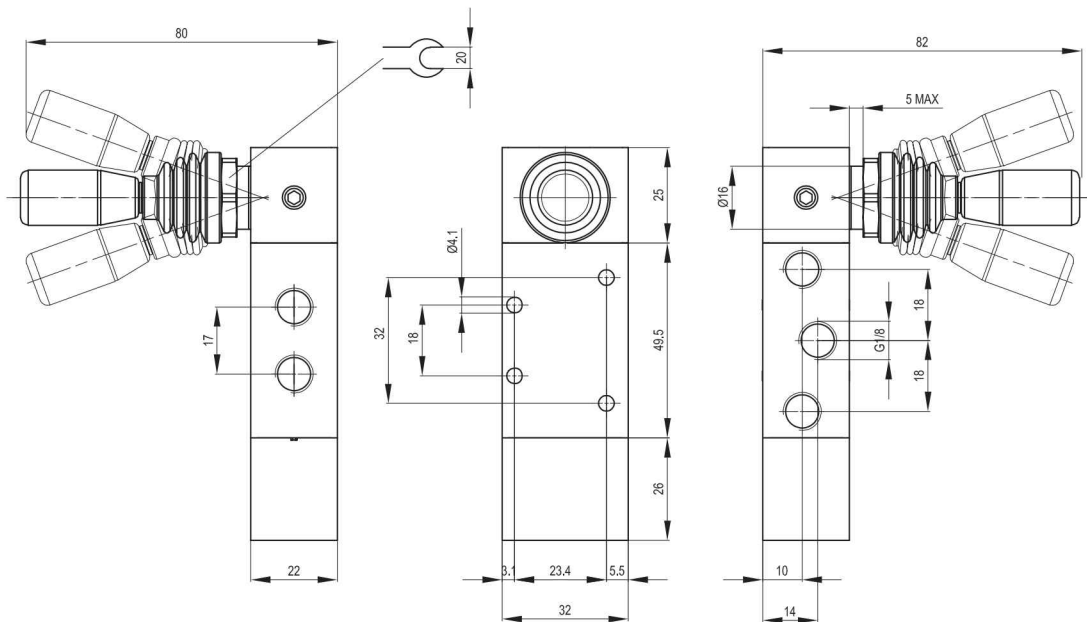
On request, they can be supplied according to 2014/34/EU - ATEX

Technical data	
Fluid	Compressed filtered air with or without lubrication. Lubrication, if started, must be continued.
Pressure range	0 ÷ 10 bar
Temperature range	-10°C ÷ +80°C (standard)      -25°C ÷ +60°C (BT)
Orifice	6,5 mm
Flow	650 NI/min at 6 bar with ΔP 1 bar
Mounting	In any position
Materials	Body: Anodised aluminium Cover: Anodised aluminium Bottom plates: Hostaform C 13031 Spool: Hard aluminium anodized Distancers: Ixef 1022 Seals: Hydrogenated Nitrile Butadiene Rubber (HNBR) Lever: Steel / Plastic

Valves series A1  
1/8", 5/2 - 5/3, manually operated

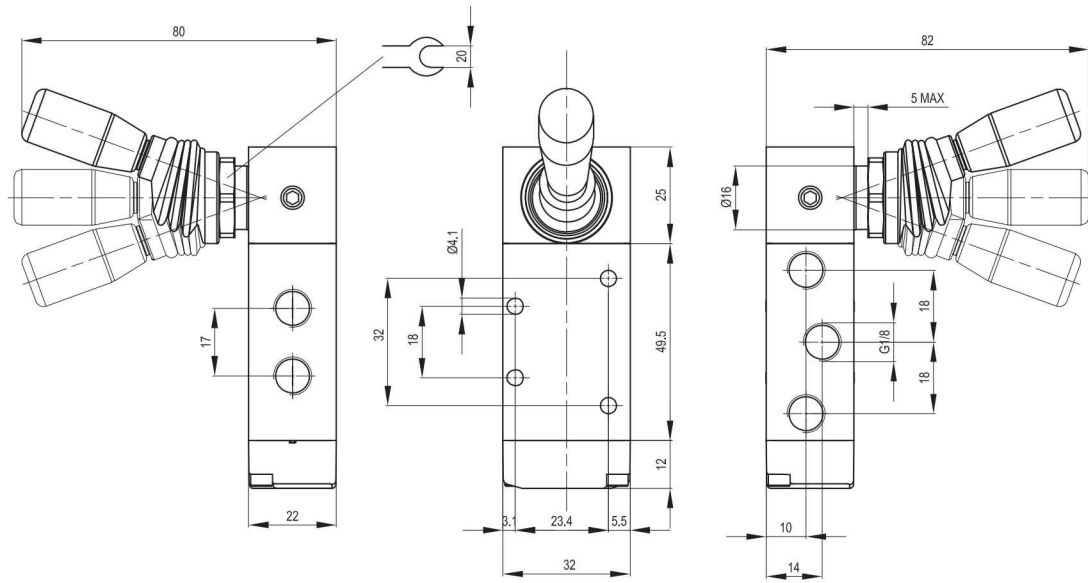


Version	Symbol	Code	Item
5/2 side lever, 1 position		034064	A1MA150LL
5/2 side lever, 2 positions		034063	A1MA151LL

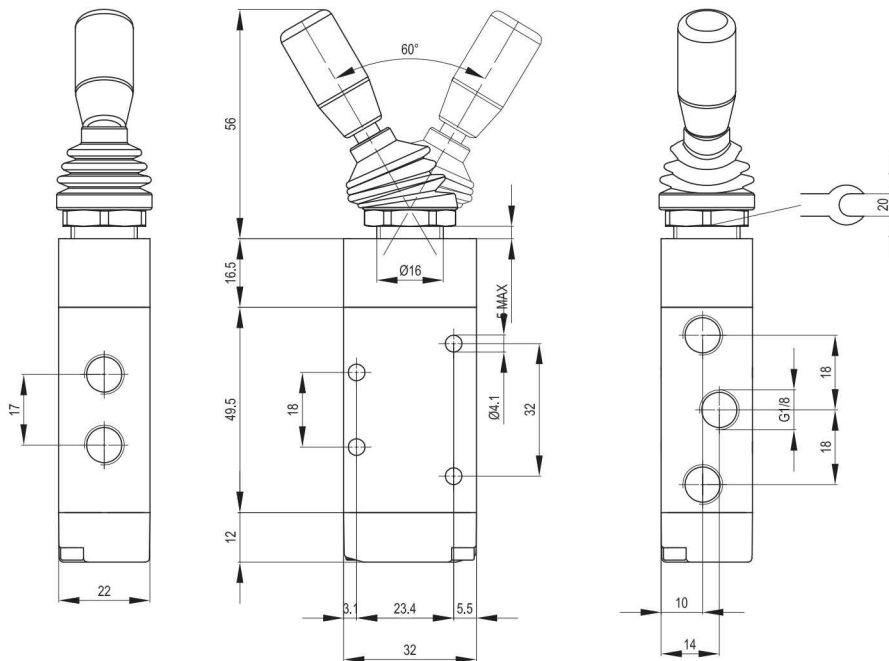


Version	Symbol	Code	Item
5/3 side lever, 1 position		034062	A1MA170LL
5/3 side lever open centres, 1 position		034066	A1MA171LL
5/3 side lever pressurised centres, 1 position		034065	A1MA172LL

Valves series A1  
1/8", 5/2 - 5/3, manually operated

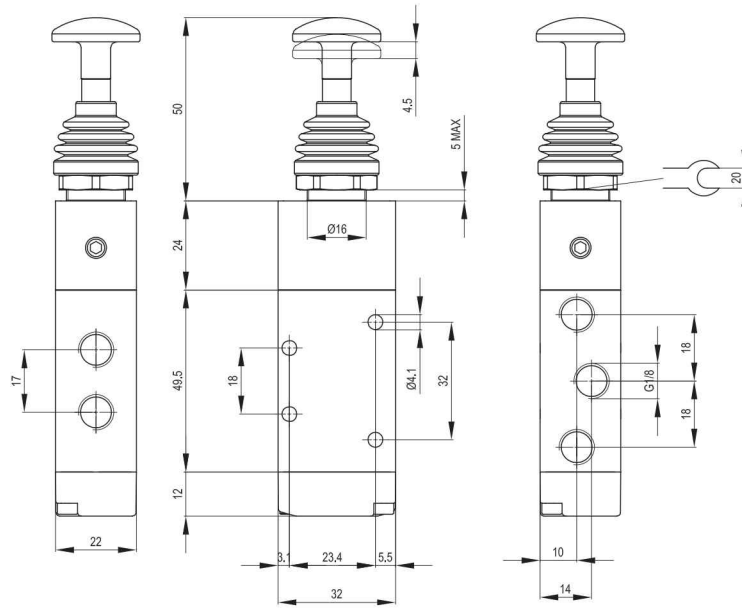


Version	Symbol	Code	Item
5/3 side lever closed centres, 3 positions		034068	A1MA173LL
5/3 side lever, open centres, 3 positions		034067	A1MA174LL
5/3 side lever, pressurised centres 3 positions		034069	A1MA175LL



Version	Symbol	Code	Item
5/2 top lever, 2 positions		034091	A1MA151LT

Valves series A1  
1/8", 5/2 - 5/3, manually operated



Version	Symbol	Code	Item
5/2 push-pull, 1 position		034092	A1MA150TT
5/2 push-pull, 2 positions		034093	A1MA151TT