

# Valves series A1

## 1/8", 3/2, pneumatically operated



Standard executions			
Version	Symbol	Code	Item
3/2 NC		034014	A1P130
3/2 NO		034015	A1P131
3/2 pilot/pilot		034016	A1P132
3/2 pilot/pilot differential		034017	A1P133



Series of spool valves, with static seals, high flow, for panel or sub-base mounting.  
For the sub-bases type A1B1... see page.2.65.1



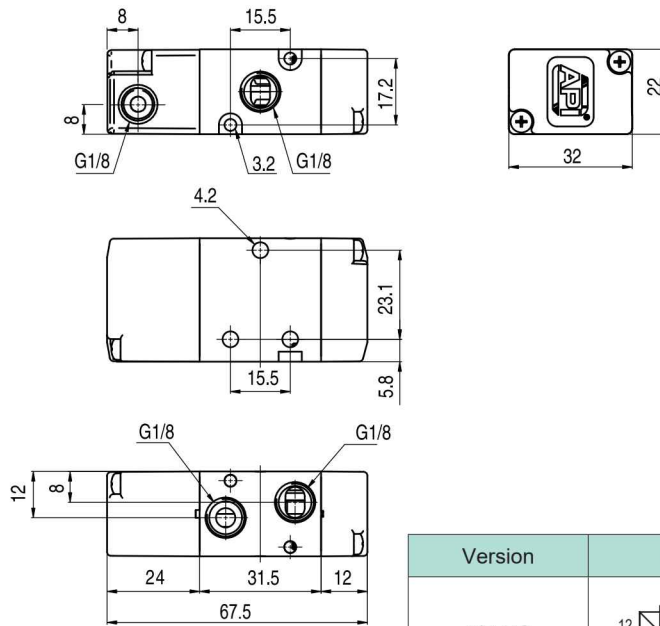
On request, they can be supplied according to 2014/34/EU - **ATEX**

### Code key

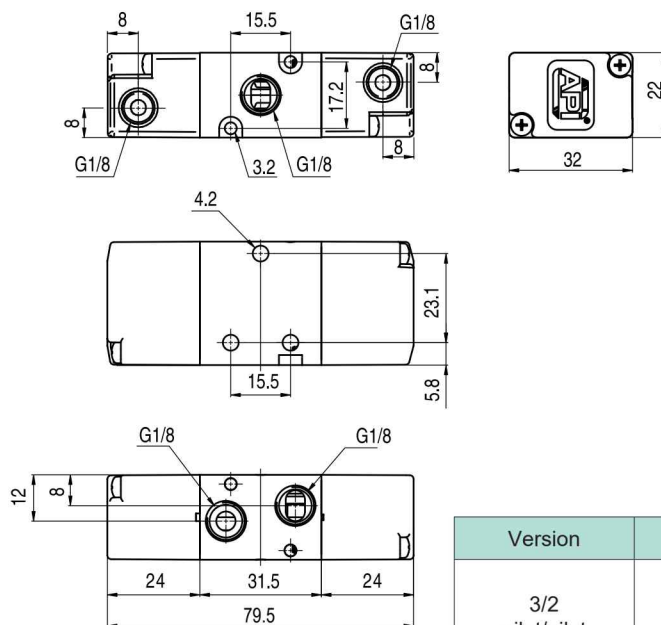
Series	Actuation	Size	Function	Options
A1	P = pneumatic	1 = 1/8"	30 = 3/2 NC 31 = 3/2 NO 32 = 3/2 pilot/pilot 33 = 3/2 pilot/pilot differential	BT = low temp. seals

Options	Suffix
Low temperature seals (-25 ÷ +60°C)	<b>BT</b>

Technical data	
Fluid	Compressed filtered air with or without lubrication. Lubrication, if be used, must be continous.
Pressure range	Spring return: 1,5 ÷ 10 bar Bistable: 1 ÷ 10 bar
Temperature range	-10°C ÷ +60°C (standard) -25°C ÷ +60°C (BT)
Orifice	6,5 mm
Flow	650 NI/min at 6 bar with ΔP 1bar
Minimum piloting pressure	1,5 bar
Mounting	In any position
Materials	Body: Anodised aluminium Covers: Hostaform C 13031 Spool: Hard aluminium anodized Distancers: Ixef 1022 Seals: Hydrogenated Nitrile Butadiene Rubber (HNBR)



Version	Symbol	Code	Item
3/2 NC		034014	A1P130
3/2 NO		034015	A1P131



Version	Symbol	Code	Item
3/2 pilot/pilot		034016	A1P132
3/2 pilot/pilot differential		034017	A1P133