

Valves series A1

1/8", 3/2, electrically operated



Standard executions

| Version | Symbol | Code | Item |
|--|--------|--------|--------|
| 3/2 NC | | 034003 | A1E130 |
| 3/2 NO | | 034004 | A1E131 |
| 3/2 solenoid/solenoid | | 034005 | A1E132 |
| 3/2 NC external air pilot | | 034006 | A1K130 |
| 3/2 solenoid/solenoid external air pilot | | 034007 | A1K132 |



CE **II 2Gc IIB T5**
II 2Dc T100°C

On request, they can be supplied according to 2014/34/EU - **ATEX**

| Options | Suffix |
|-------------------------------------|-----------|
| Low temperature seals (-25 ÷ +60°C) | BT |

Series of spool valves, with static seals, high flow, for panel or sub-base mounting.

Coils and connectors have to be ordered separately.

For the coils type ASA12... see page 2.200.1

For the connectors type A122... see page 2.210.20

For the sub-bases type A1B1... see page 2.65.1

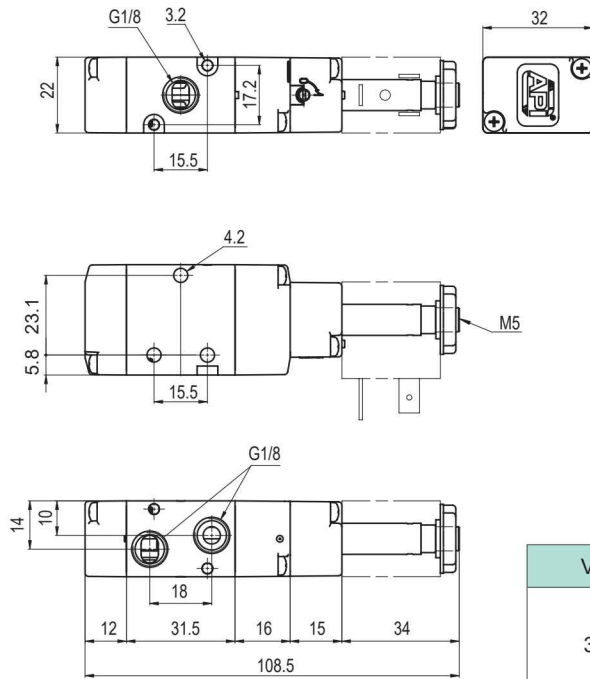
Code key

| Series | Actuation | Size | Function | Options |
|--------|--|----------|--|----------------------|
| A1 | E = electrical K = electrical with external air pilot | 1 = 1/8" | 30 = 3/2 NC 31 = 3/2 NO 32 = 3/2 sol./sol. | BT = low temp. seals |

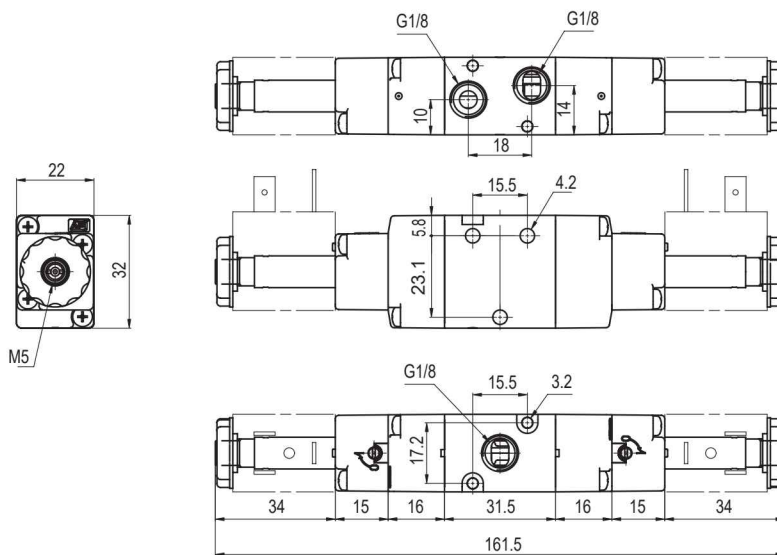
| Technical data | | | | |
|-------------------------------|--|--|--------------------|----------------------|
| Fluid | Compressed filtered air with or without lubrication. Lubrication, if started, must be continued. | | | |
| Pressure range | Spring return: 1,5 ÷ 10 bar | Bistable: 1 ÷ 10 bar | | |
| Temperature range | -10°C ÷ +60°C (standard) | | -25°C ÷ +60°C (BT) | |
| Orifice | 6,5 mm | | | |
| Flow | 650 NI/min a 6 bar con ΔP 1 bar | | | |
| Minimum external air pressure | 1,5 bar | | | |
| Mounting | In any position | | | |
| Manual override | Bistable | | | |
| Response time (at 6 bar) | solenoid/spring | | solenoid/solenoid | |
| | Energising: 35 ms | De-energising: 15 ms | Energising: 20 ms | De-energising: 20 ms |
| Materials | Body: | Anodised aluminium | | |
| | Covers: | Hostaform C 13031 | | |
| | Spool: | Hard aluminium anodized | | |
| | Distancers: | Ixef 1022 | | |
| | Seals: | Hydrogenated Nitrile Butadiene Rubber (HNBR) | | |



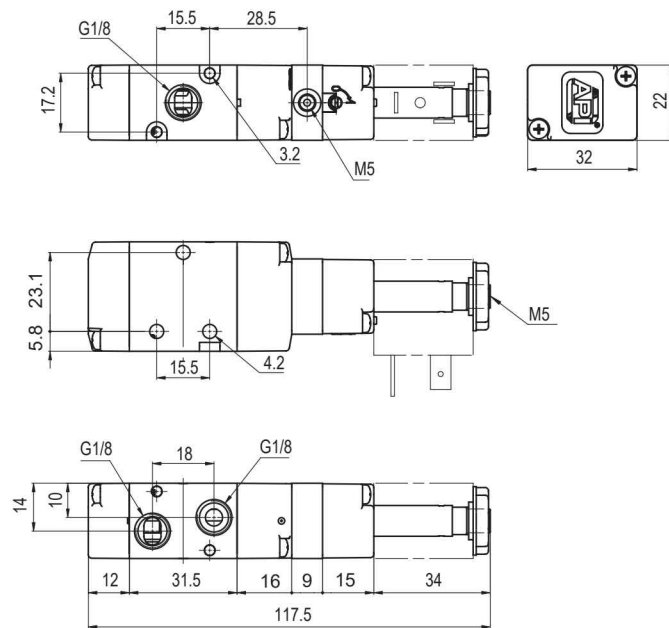
Valves series A1
1/8", 3/2, electrically operated



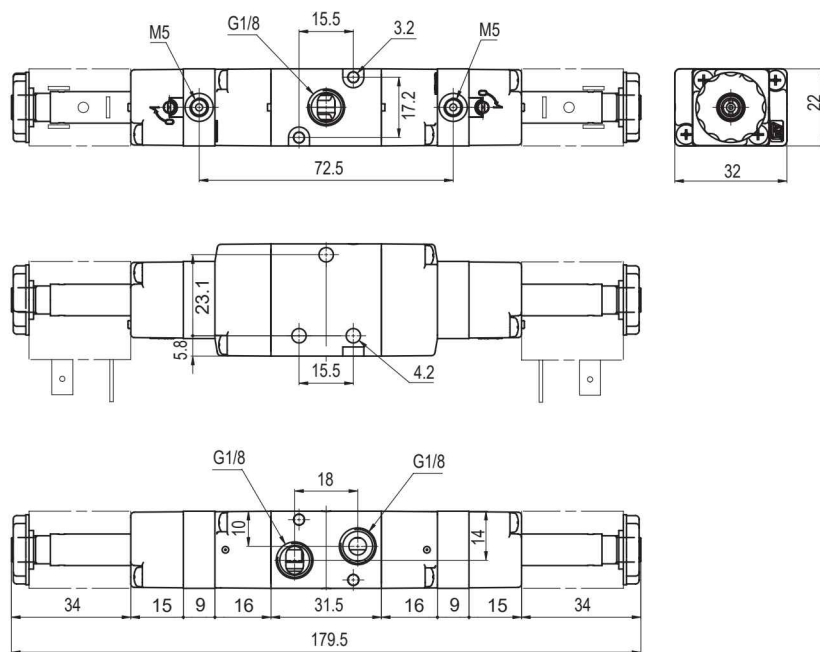
| Version | Symbol | Code | Item |
|---------|--------|--------|--------|
| 3/2 NC | | 034003 | A1E130 |
| 3/2 NO | | 034004 | A1E131 |



| Version | Symbol | Code | Item |
|-----------------------|--------|--------|--------|
| 3/2 solenoid/solenoid | | 034005 | A1E132 |



| Version | Symbol | Code | Item |
|------------------------------|--------|--------|--------|
| 3/2 NC external air pilot | | 034006 | A1K130 |



| Version | Symbol | Code | Item |
|--|--------|--------|--------|
| 3/2 solenoid/solenoid external air pilot | | 034007 | A1K132 |