

Valves series A1

1/8", 3/2, electrically operated



Standard executions

Version	Symbol	Code	Item
3/2 NC		034003	A1E130
3/2 NO		034004	A1E131
3/2 solenoid/solenoid		034005	A1E132
3/2 NC external air pilot		034006	A1K130
3/2 solenoid/solenoid external air pilot		034007	A1K132



II 2Gc IIB T5
II 2Dc T100°C

On request, they can be supplied according to 2014/34/EU - **ATEX**

Options	Suffix
Low temperature seals (-25 ÷ +60°C)	BT

Series of spool valves, with static seals, high flow, for panel or sub-base mounting.

Coils and connectors have to be ordered separately.

For the coils type ASA12... see page 2.200.1

For the connectors type A122... see page 2.210.20

For the sub-bases type A1B1... see page 2.65.1

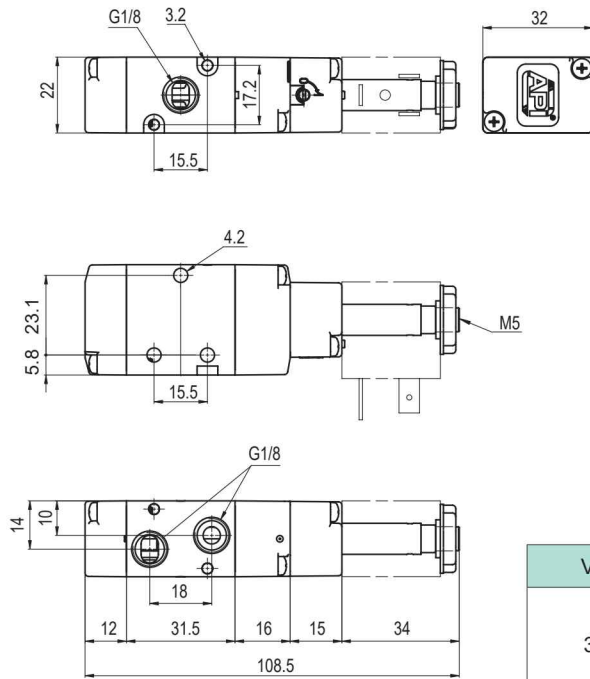
Code key

Series	Actuation	Size	Function	Options
A1	E = electrical K = electrical with external air pilot	1 = 1/8"	30 = 3/2 NC 31 = 3/2 NO 32 = 3/2 sol./sol.	BT = low temp. seals

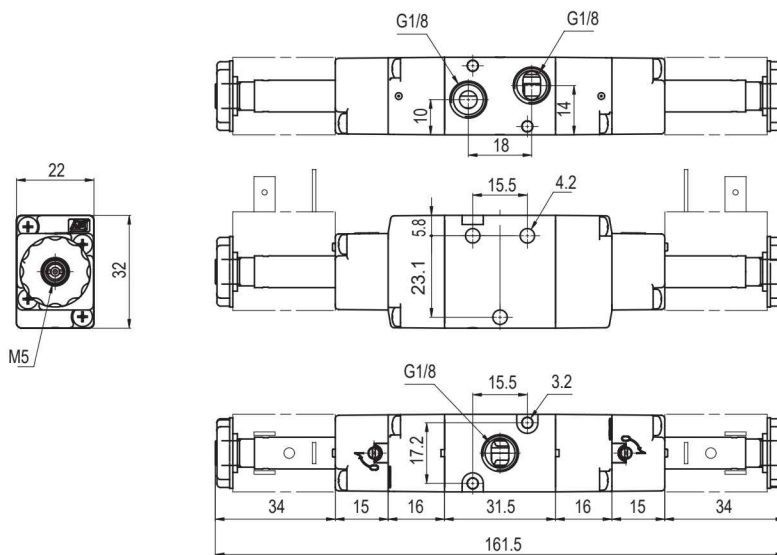
Technical data				
Fluid	Compressed filtered air with or without lubrication. Lubrication, if started, must be continued.			
Pressure range	Spring return: 1,5 ÷ 10 bar	Bistable: 1 ÷ 10 bar		
Temperature range	-10°C ÷ +60°C (standard)	-25°C ÷ +60°C (BT)		
Orifice	6,5 mm			
Flow	650 NI/min a 6 bar con ΔP 1 bar			
Minimum external air pressure	1,5 bar			
Mounting	In any position			
Manual override	Bistable			
Response time (at 6 bar)	solenoid/spring		solenoid/solenoid	
	Energising: 35 ms	De-energising: 15 ms	Energising: 20 ms	De-energising: 20 ms
Materials	Body:	Anodised aluminium		
	Covers:	Hostaform C 13031		
	Spool:	Hard aluminium anodized		
	Distancers:	Ixef 1022		
	Seals:	Hydrogenated Nitrile Butadiene Rubber (HNBR)		



Valves series A1
1/8", 3/2, electrically operated

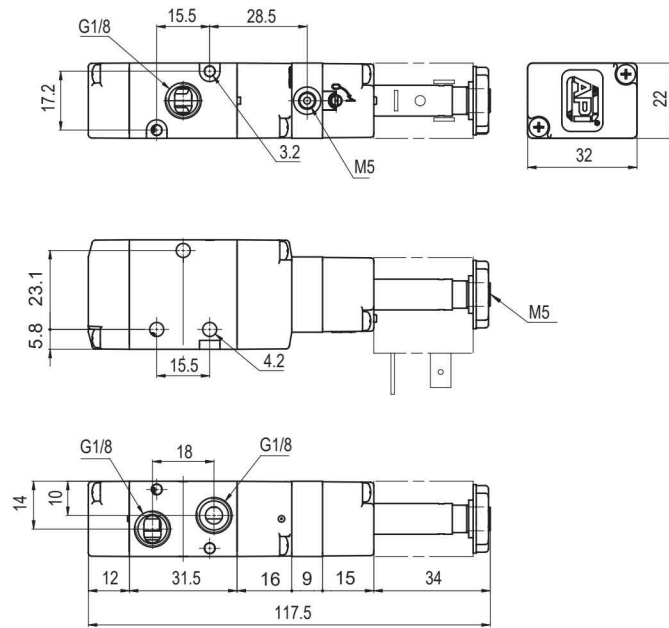


Version	Symbol	Code	Item
3/2 NC		034003	A1E130
3/2 NO		034004	A1E131

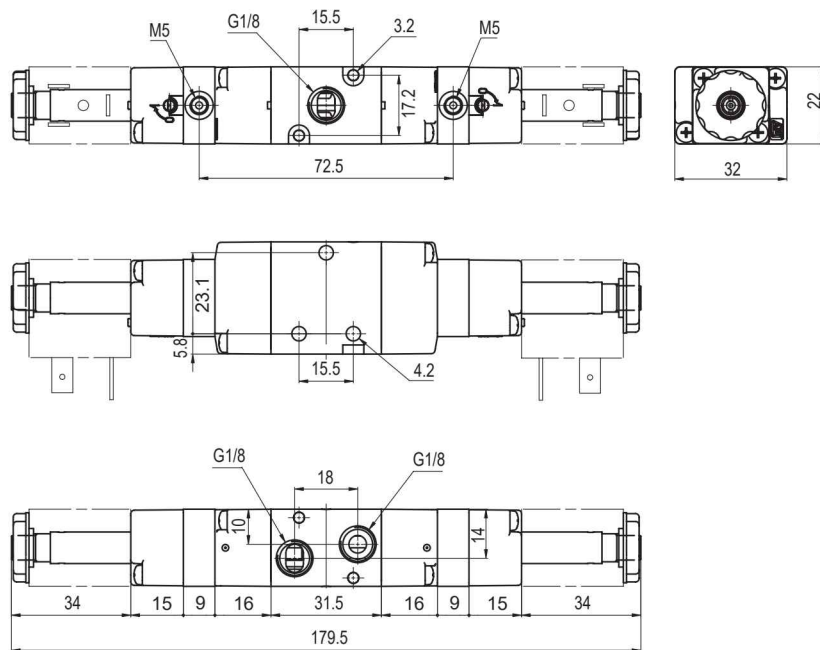


Version	Symbol	Code	Item
3/2 solenoid/solenoid		034005	A1E132

Valves series A1
1/8", 3/2, electrically operated



Version	Symbol	Code	Item
3/2 NC external air pilot		034006	A1K130



Version	Symbol	Code	Item
3/2 solenoid/solenoid external air pilot		034007	A1K132

2