
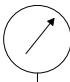


Pressure-gauges, vacuum-gauges and pressure switches

Analogic pressure-gauges, 1/8" ÷ 1/4"

Main features

Series	Description	Symbol
M.. 	Analogic pressure-gauges with rear connection	
MR..	Analogic pressure-gauges with in-line connection	
MF..	Analogic pressure-gauges with rear connection and flange	
MP..	Analogic pressure-gauges with rear connection and panel bracket	



Technical data

Series	M	MR	MF	MP
Fluid	Compressed air			
Connections*	1/8"; 1/4"			
Dial dimensions*	Ø 40 mm; Ø 50 mm; Ø 63 mm			
Scale*	-1+0 bar; 0+2,5 bar; 0+4 bar; 0+6 bar; 0+10 bar; 0+12 bar		-1+0 bar; 0+6 bar; 0+12 bar	
Static pressure	Up to 3/4 of scale end			
Fluctuating pressure	Within 2/3 of scale end			
Maximum pressure (for short periods)	Up to the value of scale end			
Temperature range	-20°C ÷ +60°C			
Class protection	IP41			
Precision	Classe CI 1.6			
Threads	UNI-ISO 7/1 (BSPT)			

Notes

* For available combinations see page 3.30.3 and technical data of each series.
More type, dial dimensions, connections and scale available on request.

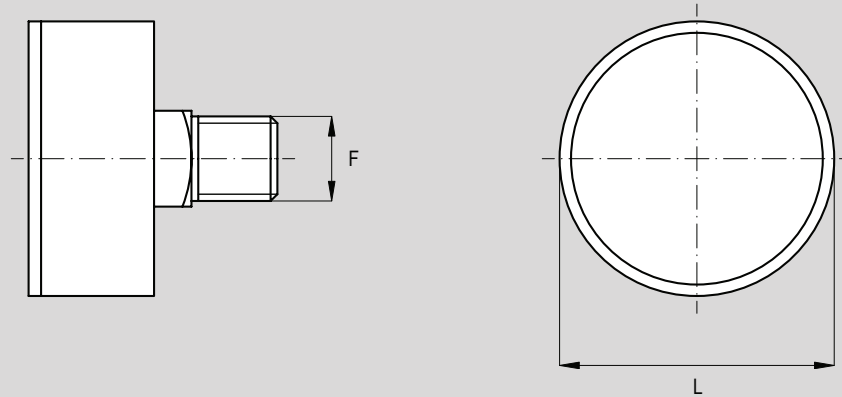
Pressure-gauges, vacuum-gauges and pressure switches

Analogic pressure-gauges with rear connection, 1/8" ÷ 1/4"



Standard dimensions

Type: **M**



Item	Code	Connections	Dial Ø	Scale bar	F	L	Weight g
M40A-1÷0	028501	1/8"	Ø40	-1÷0	1/8"	40	38
M40A0÷2,5	028651			0÷2,5	1/8"	40	38
M40A0÷4	028701			0÷4	1/8"	40	38
M40A0÷6	028801			0÷6	1/8"	40	38
M40A0÷10	028851			0÷10	1/8"	40	38
M40A0÷12	028901			0÷12	1/8"	40	38
M50A-1÷0	028502	1/8"	Ø50	-1÷0	1/8"	50	40
M50A0÷2,5	028900			0÷2,5	1/8"	50	40
M50A0÷4	028702			0÷4	1/8"	50	40
M50A0÷6	028802			0÷6	1/8"	50	40
M50A0÷10	028915			0÷10	1/8"	50	40
M50A0÷12	028902			0÷12	1/8"	50	40
M50B-1÷0	028925	1/4"	Ø50	-1÷0	1/4"	50	40
M50B0÷2,5	028994			0÷2,5	1/4"	50	40
M50B0÷4	028917			0÷4	1/4"	50	40
M50B0÷6	028992			0÷6	1/4"	50	40
M50B0÷10	028993			0÷10	1/4"	50	40
M50B0÷12	028913			0÷12	1/4"	50	40
M63B-1÷0	028503	1/4"	Ø63	-1÷0	1/4"	63	75
M63B0÷2,5	028995			0÷2,5	1/4"	63	75
M63B0÷4	028703			0÷4	1/4"	63	75
M63B0÷6	028803			0÷6	1/4"	63	75
M63B0÷10	028996			0÷10	1/4"	63	75
M63B0÷12	028903			0÷12	1/4"	63	75

Notes

More versions available on request