

MICROREGULATORS



Find out our
key products



Solution for most applications



Easy and intuitive choice



Excellent value for money



Wide availability



Fast delivery



Main features and certifications

Components to reduce, regulate and maintain constant pressure in an industrial plant.
Supplied as standard in compliance to Reach and RoHS directives.
Pressure-gauges and mounting brackets to be ordered separately.



Microregulators series AC700, 1/8" ÷ 1/4"

from page 3.10.10



Series of microregulators with compact design.
Standard relieving with safety knob position lock.
Mounting brackets and pressure-gauges to be ordered separately.



Code key

Series	Type		Size
AC	700	-	14RR

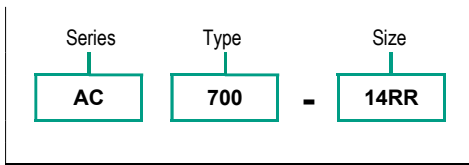
AC

700

18RR = 1/8"

14RR = 1/4"

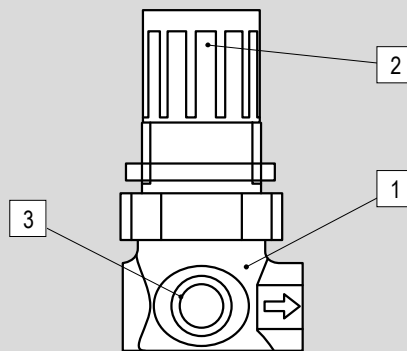
How to order



Notes

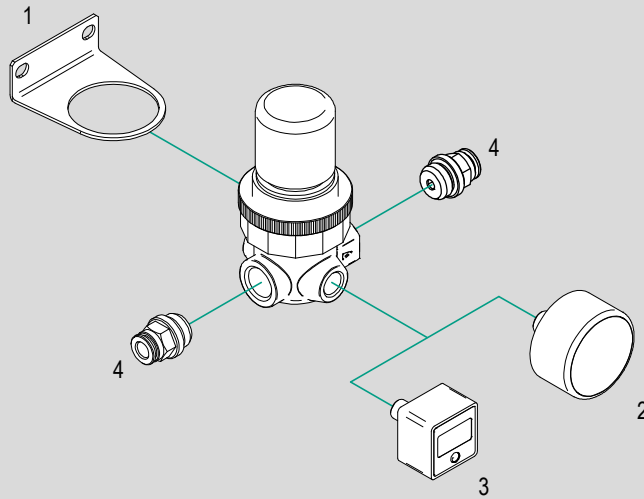
For standard materials see table below.
 Options in the same grid are alternative to each others.
 For pressure-gauges and mounting brackets, to be ordered separately, see from page 3.10.4

Standard materials



Position	Description	Material
1	Body	Black painted zinc
2	Knob	Acetalic resin
3	Seals	NBR

Accessories



N.	Size	Item	Description	Matching	Code key page	Data sheet page
				AC700		
1	1/8" ÷ 1/4"	SR..	Mounting brackets	●	3.10.11	3.94.1
2	1/8" ÷ 1/4"	M..	Analogic pressure-gauges	●	3.30.20	
3	1/8" ÷ 1/4"	AKP60P..	Digital pressure-gauges	●	3.30.40	
4	1/8" ÷ 1/4"	R..	Push-in fittings	●	4.2.1	

Key

● matching accessory; - not matching accessory


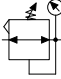

3 - AIR TREATMENT

Microregulators

Series AC700, 1/8" ÷ 1/4"



Main features

Code	Item	Size	Function	Symbol
090307 	AC700-1/8RR	1/8"	Microregulator	
090306 	AC700-1/4RR	1/4"		



Technical data

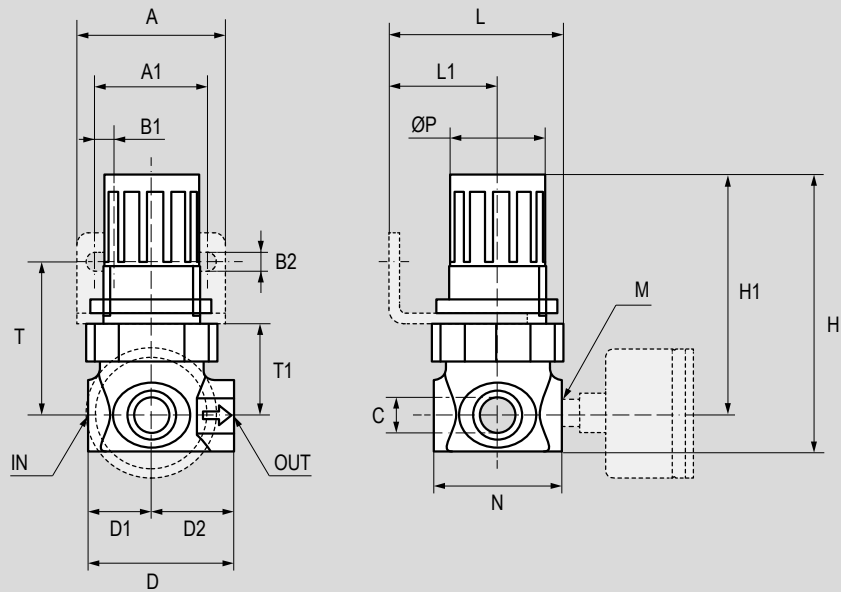
Type	AC700-1/8RR	AC700-1/4RR
Size	1/8"	1/4"
Fluid	Compressed air	
Maximum inlet pressure	15 bar	
Temperature range	+5°C ÷ +60°C	
Flow (at 6 bar)	390 NI/min.	420 NI/min.
Regulation range	0,5 ÷ 8,5 bar	

Notes

Mounting brackets to be ordered separately, see page 3.10.90

Standard dimensions

Type: **AC700**




Item	Code	Size	A	A1	B1	B2	C	D	D1	D2	H	H1	L	L1	M	N	ØP	T	T1
AC700-1/8RR	090307	1/8"	36	30	6	6	G1/8"	41	19	23	75	64	54,5	35,5	G1/8"	38	28	36	24
AC700-1/4RR	090306	1/4"	36	30	6	6	G1/4"	41	19	23	75	64	54,5	35,5	G1/8"	38	28	36	24

3 - AIR TREATMENT

Accessories for microregulators

Mounting brackets for microregulator, SR..

	Size	Code	Item	Matching
	1/8"	090308	SR700	AC700
	1/4"			