

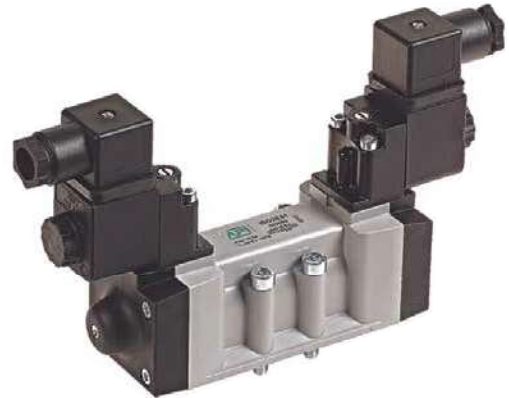
Valves ISO 5599/1 solenoid operated

ISO2, CNOMO pilot, 5/2 solenoid/solenoid



Main features

Version	Code	Item	Symbol
5/2 solenoid/solenoid	032050	ISO2E51	
5/2 solenoid/solenoid differential	032042	ISO2E52	
5/2 solenoid/solenoid with external air pilot	032056	ISO2K51	
5/2 solenoid/solenoid differential with external air pilot	032057	ISO2K52	



Technical data

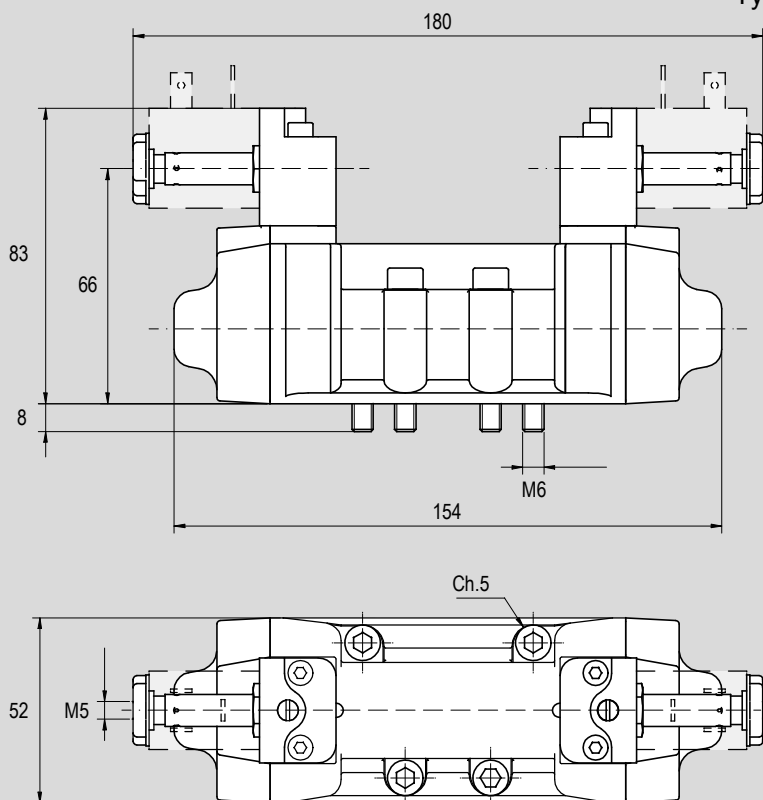
Version	5/2 solenoid/solenoid	5/2 solenoid/solenoid differential	5/2 solenoid/solenoid with external air pilot	5/2 solenoid/solenoid differential with external air pilot
Code	032050	032042	032056	032057
Item	ISO2E51	ISO2E52	ISO2K51	ISO2K52
Size	ISO2			
Fluid	Compressed air with or without lubrication. Lubrication, if started, must be continued.			
Pilot	CNOMO			
Piloting	Internal		With external air pilot	
Pressure range	1 ÷ 10 bar		0 ÷ 10 bar	
Minimum external air pressure	-		1 bar	
Temperature range	-10°C ÷ +60°C			
Plunger Ø	9 mm			
Orifice Ø	15 mm			
Flow at 6 bar with ΔP 1 bar	2.900 NI/min.			
Mounting	In every position			
Manual override	Bistable			

Notes

Coils and connectors for standard versions to be ordered separately.
 For coils type ASA12 and ASA2 see from page 2.315.1. For connectors type A122 e A182 see from page 2.318.1
 For valves complete with ATEX coil and connector, in different classifications, see page 2.320.1

Standard dimensions

Type: **5/2 solenoid/solenoid**



Version	Symbol	Code	Item
ISO2 CNOMO pilot 5/2 solenoid/solenoid		032050	ISO2E51
ISO2 CNOMO pilot 5/2 solenoid/solenoid differential		032042	ISO2E52
ISO2 CNOMO pilot 5/2 solenoid/solenoid with external air pilot		032056	ISO2K51
ISO2 CNOMO pilot 5/2 solenoid/solenoid differential with external air pilot		032057	ISO2K52