
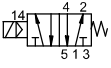
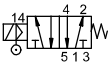


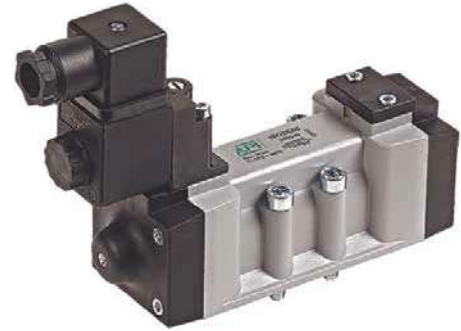
# Valves ISO 5599/1 solenoid operated

ISO2, CNOMO pilot, 5/2 solenoid/spring



## Main features

Version	Code	Item	Symbol
5/2 solenoid/spring	032040 	ISO2E50	
5/2 solenoid/spring with external air pilot	032039	ISO2K50	



## Technical data

Version	5/2 solenoid/spring	5/2 solenoid/spring with external air pilot
Code	032040	032039
Item	ISO2E50	ISO2K50
Size	ISO2	
Fluid	Compressed air with or without lubrication. Lubrication, if started, must be continued.	
Pilot	CNOMO	
Piloting	Internal	With external air pilot
Pressure range	2,5 ÷ 10 bar	0 ÷ 10 bar
Minimum external air pressure	-	2,5 bar
Temperature range	-10°C ÷ +60°C	
Plunger Ø	9 mm	
Orifice Ø	15 mm	
Flow at 6 bar with ΔP 1 bar	2.900 NI/min.	
Mounting	In every position	
Manual override	Bistable	

## Notes

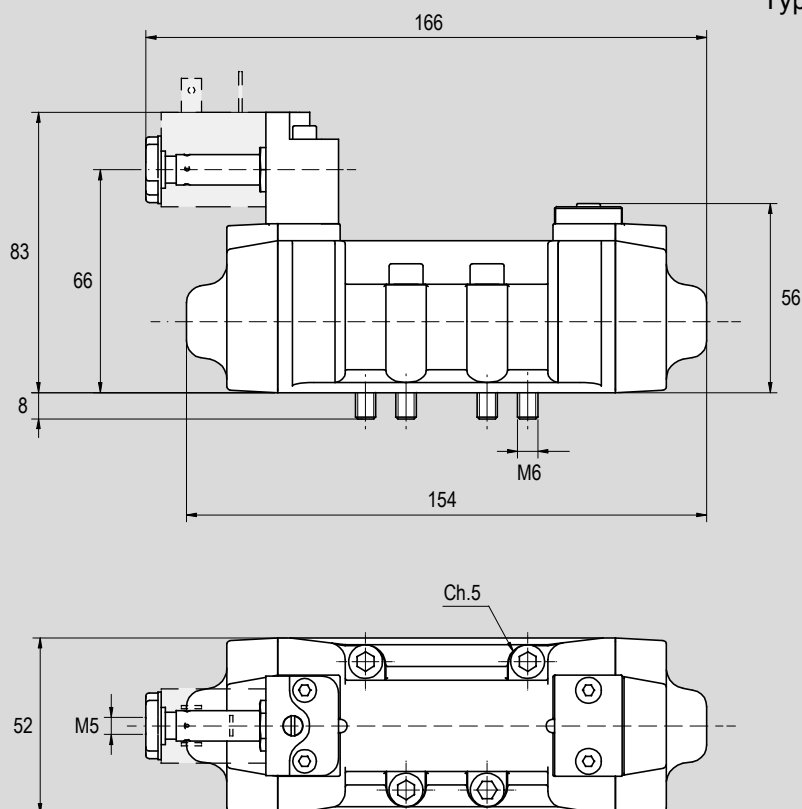
Coils and connectors for standard versions to be ordered separately.  
 For coils type ASA12 and ASA2 see from page 2.315.1. For connectors type A122 e A182 see from page 2.318.1  
 For valves complete with ATEX coil and connector, in different classifications, see page 2.320.1

Valves ISO 5599/1 solenoid operated  
ISO2, CNOMO pilot, 5/2 solenoid/spring



Standard dimensions

Type: 5/2 solenoid/spring



Version	Symbol	Code	Item
ISO2 CNOMO pilot 5/2 solenoid/spring		032040	ISO2E50
ISO2 CNOMO pilot 5/2 solenoid/spring with external air pilot		032039	ISO2K50