

Mechanical operated valves series AC

1/8", 3/2 Normally closed



Main features

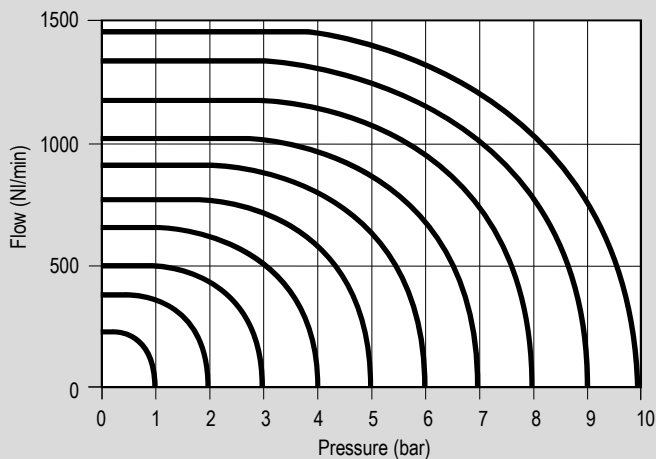
| Version | Code | Item | Symbol |
|---|--------|-----------|--------|
| 3/2 Normally closed with plunger | 032600 | AC118132C | |
| 3/2 Normally closed with bi-directional lever and roller | 032680 | AC218132C | |
| 3/2 Normally closed with uni-directional lever and roller | 032700 | AC318132C | |



Technical data

| Version | 3/2 Normally closed with plunger | 3/2 Normally closed with bi-directional lever and roller | 3/2 Normally closed with uni-directional lever and roller |
|-----------------------------|---|--|---|
| Code | 032600 | 032680 | 032700 |
| Item | AC118132C | AC218132C | AC318132C |
| Size | 1/8" | | |
| Function | 3/2 | | |
| Configuration | With plunger | with bi-directional lever and roller | with uni-directional lever and roller |
| Fluid | Compressed air with or without lubrication. Lubrication, if started, must be continued. | | |
| Pressure range | 0 ÷ 8 bar | | |
| Temperature range | -20°C ÷ +80°C | | |
| Orifice Ø | 6 mm | | |
| Flow at 6 bar with ΔP 1 bar | 900 NI/min. | | |
| Connections | G1/8" | | |
| Fastening | Through holes on the body (screws not included) | | |
| Mounting | In every position | | |

Flow chart

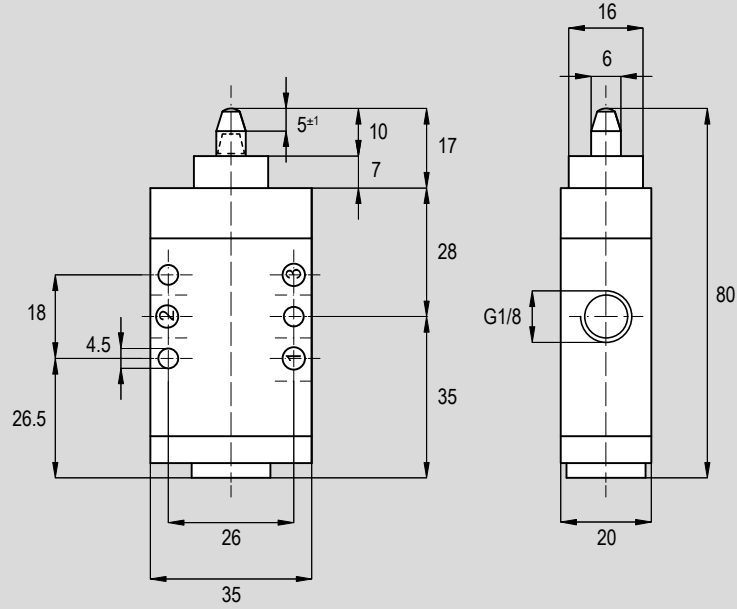


Mechanical operated valves series AC
 1/8", 3/2 Normally closed, with plunger



Standard dimensions

Type: **AC118132C**



2 - VALVES

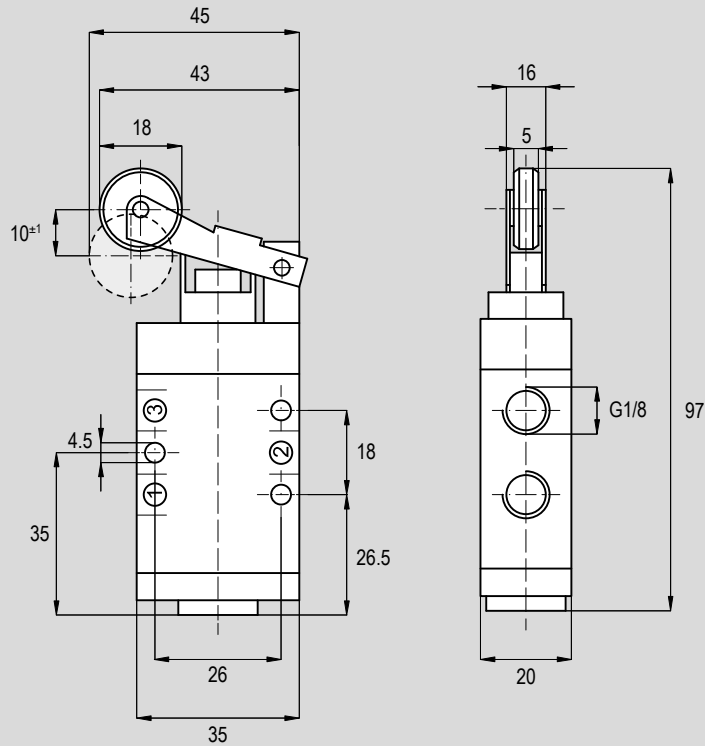
| Version | Symbol | Code | Item |
|---------------------------------------|--------|--------|-----------|
| 1/8" 3/2 Normally closed with plunger | | 032600 | AC118132C |

Mechanical operated valves series AC
 1/8", 3/2 Normally closed, with bi-directional lever and roller



Standard dimensions

Type: **AC218132C**



| Version | Symbol | Code | Item |
|---|--------|--------|-----------|
| 1/8" 3/2 Normally closed with bi-directional lever and roller | | 032680 | AC218132C |

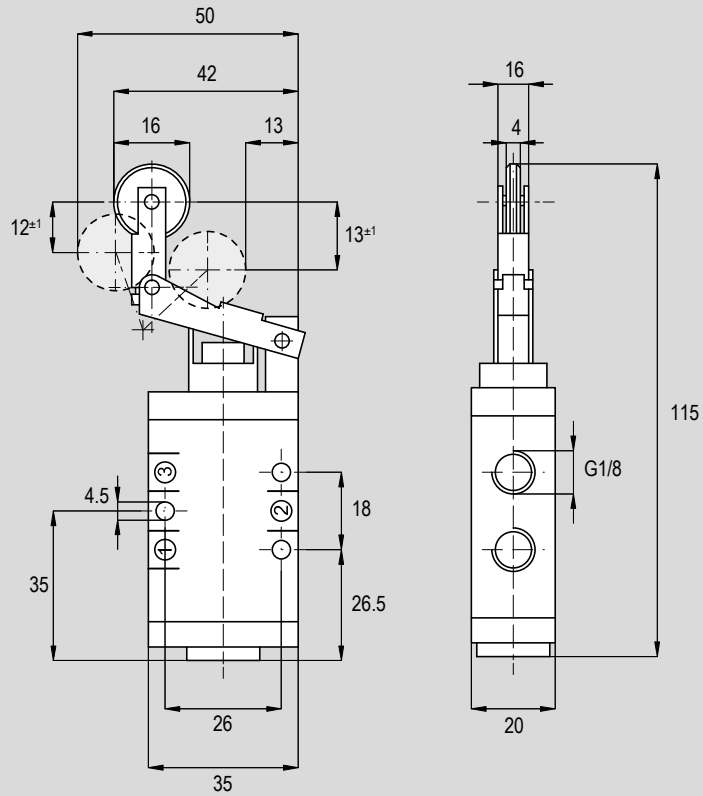
2 - VALVES

Mechanical operated valves series AC
 1/8", 3/2 Normally closed, with uni-directional lever and roller



Standard dimensions

Type: **AC318132C**



2 - VALVES

| Version | Symbol | Code | Item |
|--|--------|--------|-----------|
| 1/8" 3/2 Normally closed with uni-directional lever and roller | | 032700 | AC318132C |

Mechanical operated valves series AC

1/8", 5/2 Spring return



Main features

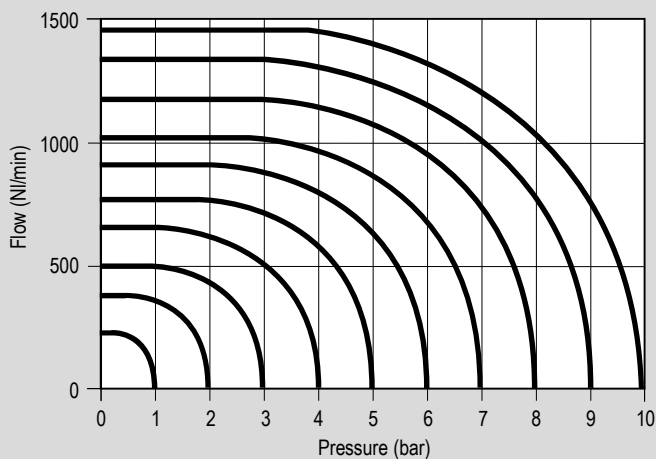
| Version | Code | Item | Symbol |
|---|--------|-----------|--------|
| 5/2 Spring return with plunger | 032640 | AC1181520 | |
| 5/2 Spring return with bi-directional lever and roller | 032720 | AC2181520 | |
| 5/2 Spring return with uni-directional lever and roller | 032740 | AC3181520 | |



Technical data

| Version | 5/2 Spring return with plunger | 5/2 Spring return with bi-directional lever and roller | 5/2 Spring return with uni-directional lever and roller |
|-----------------------------|---|--|---|
| Code | 032640 | 032720 | 032740 |
| Item | AC1181520 | AC2181520 | AC3181520 |
| Size | 1/8" | | |
| Function | 5/2 | | |
| Configuration | With plunger | with bi-directional lever and roller | with uni-directional lever and roller |
| Fluid | Compressed air with or without lubrication. Lubrication, if started, must be continued. | | |
| Pressure range | 0 ÷ 8 bar | | |
| Temperature range | -20°C ÷ +80°C | | |
| Orifice Ø | 6 mm | | |
| Flow at 6 bar with ΔP 1 bar | 900 NI/min. | | |
| Connections | G1/8" | | |
| Fastening | Through holes on the body (screws not included) | | |
| Mounting | In every position | | |

Flow chart

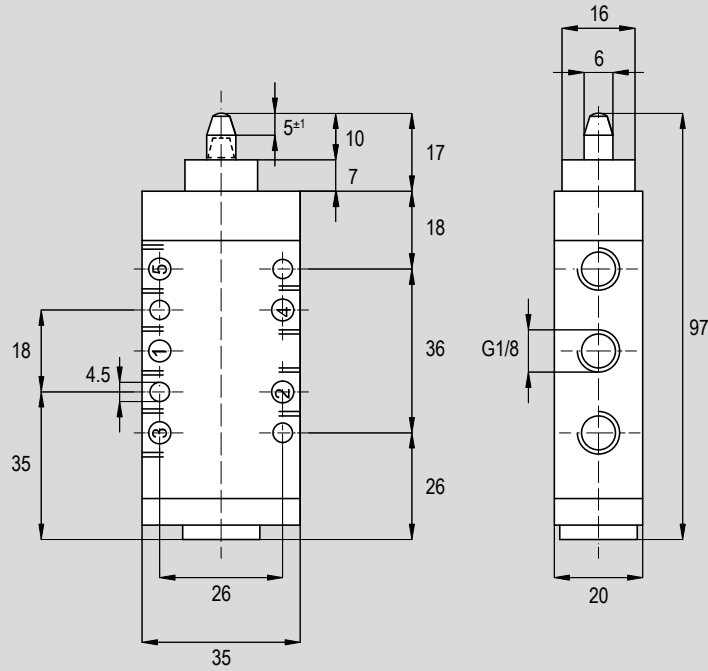


Mechanical operated valves series AC
 1/8", 5/2 Spring return, with plunger



Standard dimensions

Type: **AC1181520**



2 - VALVES

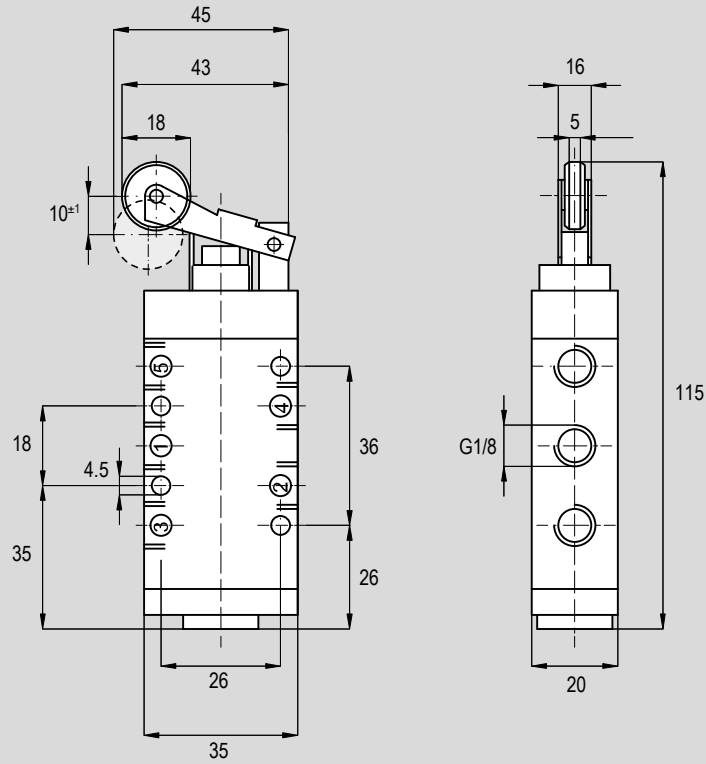
| Version | Symbol | Code | Item |
|-------------------------------------|--------|--------|-----------|
| 1/8" 5/2 Spring return with plunger | | 032640 | AC1181520 |

Mechanical operated valves series AC
 1/8", 5/2 Spring return, with bi-directional lever and roller



Standard dimensions

Type: **AC2181520**



2 - VALVES

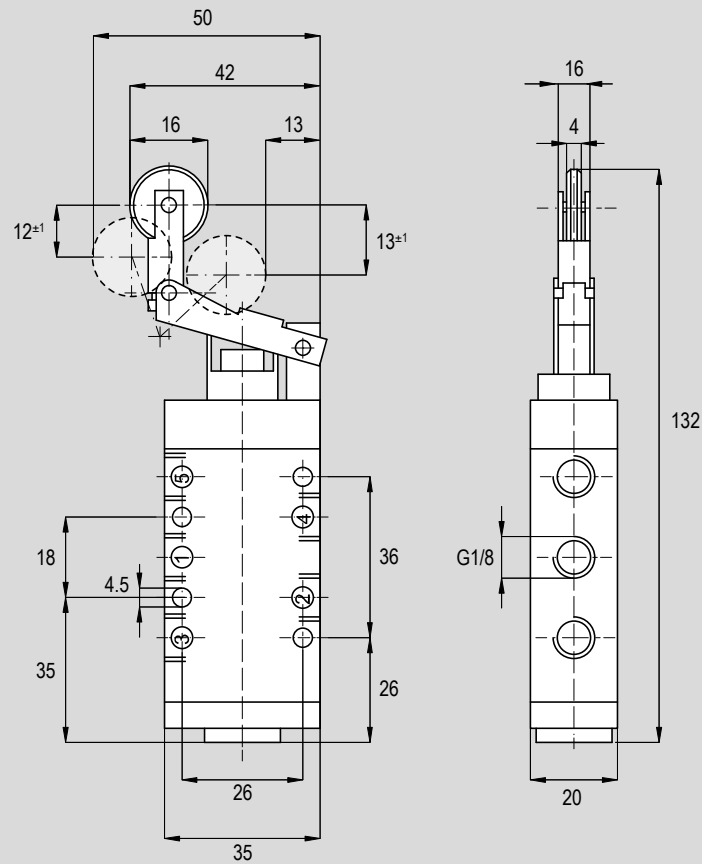
| Version | Symbol | Code | Item |
|---|--------|--------|-----------|
| 1/8" 5/2 Spring return with bi-directional lever and roller | | 032720 | AC2181520 |

Mechanical operated valves series AC
 1/8", 5/2 Spring return, with uni-directional lever and roller



Standard dimensions

Type: **AC3181520**



2 - VALVES

| Version | Symbol | Code | Item |
|--|--------|--------|-----------|
| 1/8" 5/2 Spring return with uni-directional lever and roller | | 032740 | AC3181520 |

Mechanical operated valves series A1

1/8", 3/2 Normally closed, with sensitive aerial



Main features

| Version | Code | Item | Symbol |
|---|--------|------------|--------|
| 3/2 Normally closed with sensitive aerial | 034201 | A1ME130ANT | |



Technical data

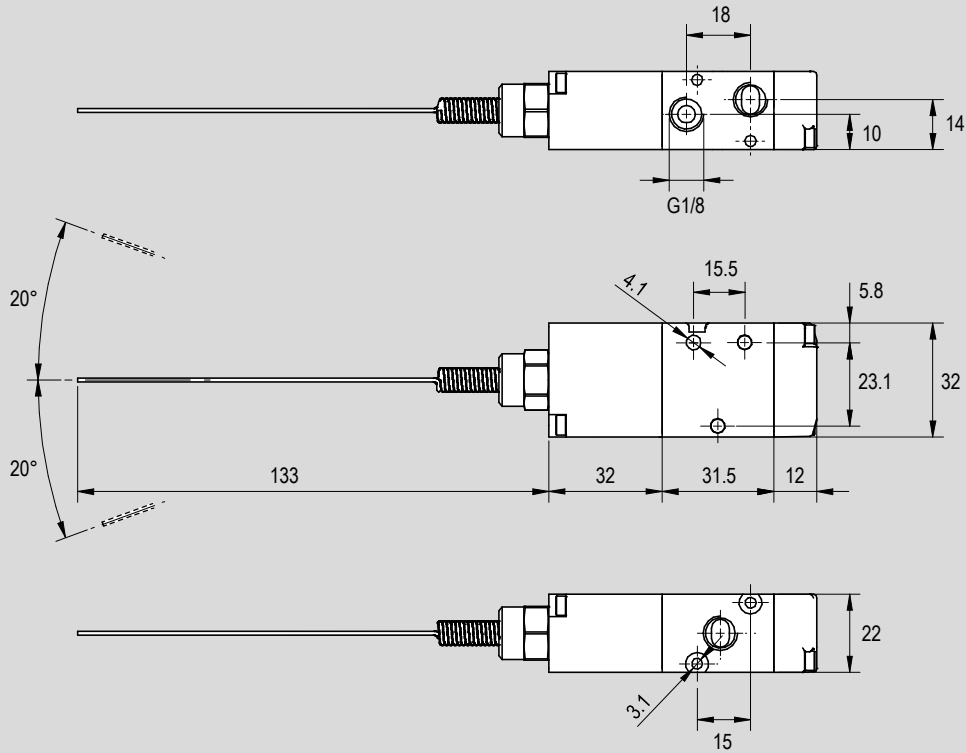
| | |
|-----------------------------|---|
| Version | 3/2 Normally closed with sensitive aerial |
| Code | 034201 |
| Item | A1ME130ANT |
| Size | 1/8" |
| Function | 3/2 |
| Configuration | With sensitive aerial |
| Fluid | Compressed air with or without lubrication. Lubrication, if started, must be continued. |
| Pressure range | 1 ÷ 10 bar |
| Temperature range | -10°C ÷ +60°C |
| Orifice Ø | 6.5 mm |
| Flow at 6 bar with ΔP 1 bar | 650 Nl/min. |
| Connections | G1/8" |
| Fastening | Through holes on the body (screws not included) |
| Mounting | In every position |

Mechanical operated valves series A1
 1/8", 3/2 Normally closed, with sensitive aerial



Standard dimensions

Type: **A1ME130ANT**



2 - VALVES

| Version | Symbol | Code | Item |
|--|--------|--------|------------|
| 1/8" 3/2 Normally closed with sensitive aerial | | 034201 | A1ME130ANT |

Mechanical operated valves series A1

1/8", 5/2 Spring return, with sensitive aerial



Main features

| Version | Code | Item | Symbol |
|---|--------|------------|--------|
| 5/2 Spring return with sensitive aerial | 034202 | A1ME150ANT | |



Technical data

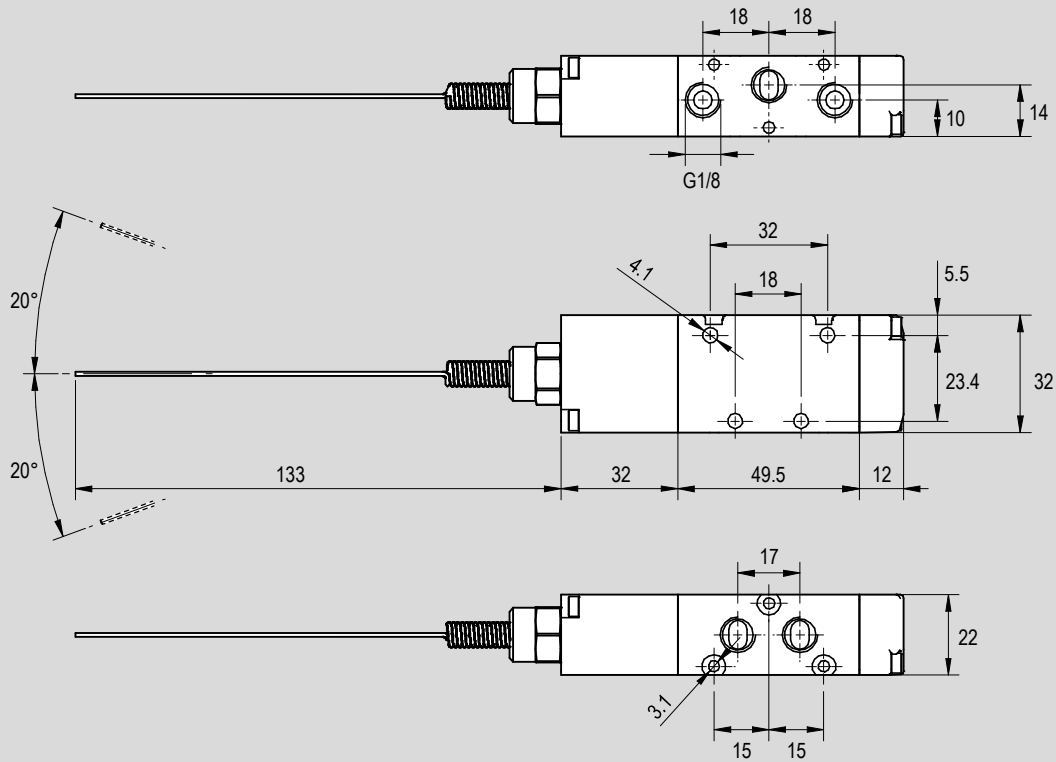
| | |
|-----------------------------|---|
| Version | 5/2 spring return with sensitive aerial |
| Code | 034202 |
| Item | A1ME150ANT |
| Size | 1/8" |
| Function | 5/2 |
| Configuration | With sensitive aerial |
| Fluid | Compressed air with or without lubrication. Lubrication, if started, must be continued. |
| Pressure range | 1 ÷ 10 bar |
| Temperature range | -10°C ÷ +60°C |
| Orifice Ø | 6.5 mm |
| Flow at 6 bar with ΔP 1 bar | 650 NI/min. |
| Connections | G1/8" |
| Fastening | Through holes on the body (screws not included) |
| Mounting | In every position |

Mechanical operated valves series A1
 1/8", 5/2 Spring return, with sensitive aerial



Standard dimensions

Type: **A1ME150ANT**



2 - VALVES

| Version | Symbol | Code | Item |
|--|--------|--------|------------|
| 1/8" 5/2 Spring return with sensitive aerial | | 034202 | A1ME150ANT |