

# Manual lever operated valves series A1

## 1/4", 5/3 side lever



### Main features

Version	Code	Item	Symbol
5/3 lever/spring C.C. side lever	034072	A1MA270LL	
5/3 lever/spring O.C. side lever	034081	A1MA271LL	
5/3 lever/spring P.C. side lever	034080	A1MA272LL	
5/3 3 positions detent C.C. side lever	034075	A1MA273LL	
5/3 3 positions detent O.C. side lever	034073	A1MA274LL	
5/3 3 positions detent P.C. side lever	034074	A1MA275LL	



### Technical data

Version	5/3 lever/spring closed centres	5/3 lever/spring open centres	5/3 lever/spring pressurized centres	5/3 3 positions detent closed centres	5/3 3 positions detent open centres	5/3 3 positions detent pressurized centres
Code	034072	034081	034080	034075	034073	034074
Item	A1MA270LL	A1MA271LL	A1MA272LL	A1MA273LL	A1MA274LL	A1MA275LL
Size	1/4"					
Orifice	8 mm					
Configuration	Side lever					
Fluid	Compressed air with or without lubrication. Lubrication, if started, must be continued.					
Pressure range	0 ÷ 10 bar					
Temperature range	-10°C ÷ +80°C (standard)		-25°C ÷ +60°C (BT)			
Flow at 6 bar with ΔP 1 bar	1.100 NI/min.					
Mounting	In every position					

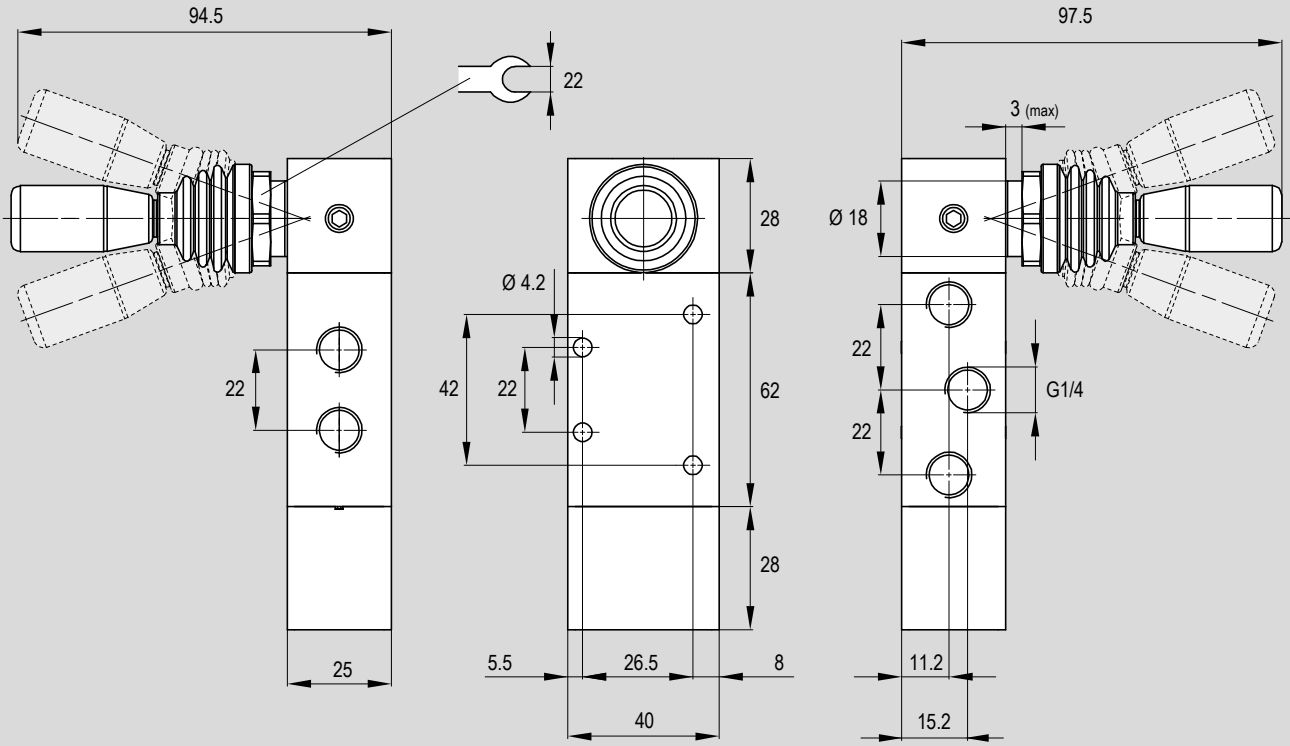
# Manual lever operated valves series A1

1/4", 5/3 side lever



## Standard dimensions

Type: **5/3 lever/spring C.C.**  
**5/3 lever/spring O.C.**  
**5/3 lever/spring P.C.**



2 - VALVES

Version	Symbol	Code	Item
1/4" 5/3 lever/spring closed centres side lever		034072	A1MA270LL
1/4" 5/3 lever/spring open centres side lever		034081	A1MA271LL
1/4" 5/3 lever/spring pressurized centres side lever		034080	A1MA272LL