
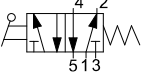

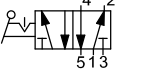
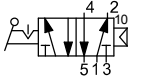


Manual lever operated valves series A1

1/4", 5/2 side lever



Main features

Version	Code	Item	Symbol
5/2 lever/spring side lever	034078 	A1MA250LL	
5/2 lever/lever detent side lever	034079 	A1MA251LL	
5/2 lever/pilot side lever	034176	A1MA251LLP	



Technical data

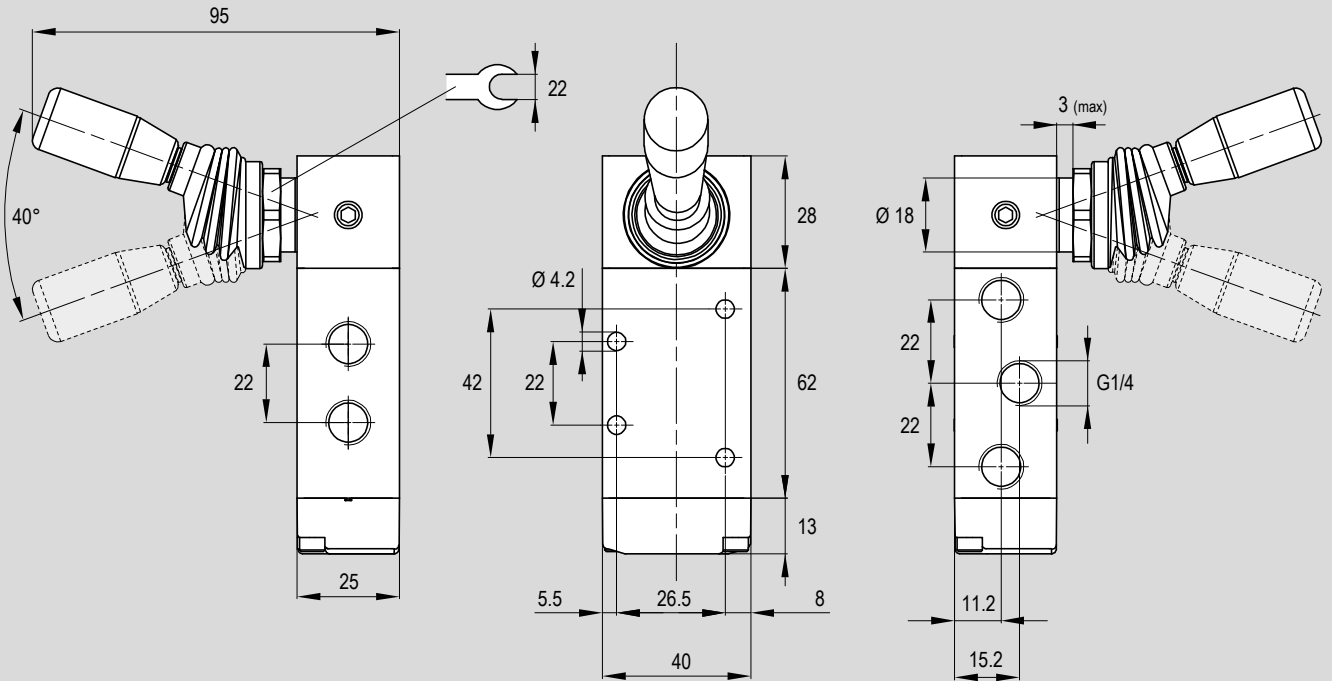
Version	5/2 lever/spring	5/2 lever/lever detent	5/2 lever/pilot
Code	034078	034079	034176
Item	A1MA250LL	A1MA251LL	A1MA251LLP
Size	1/4"		
Orifice	8 mm		
Configuration	Side lever		
Fluid	Compressed air with or without lubrication. Lubrication, if started, must be continued.		
Pressure range	0 ÷ 10 bar		
Temperature range	-10°C ÷ +80°C (standard)	-25°C ÷ +60°C (BT)	
Flow at 6 bar with ΔP 1 bar	1.100 NI/min.		
Mounting	In every position		

Manual lever operated valves series A1
1/4", 5/2 side lever

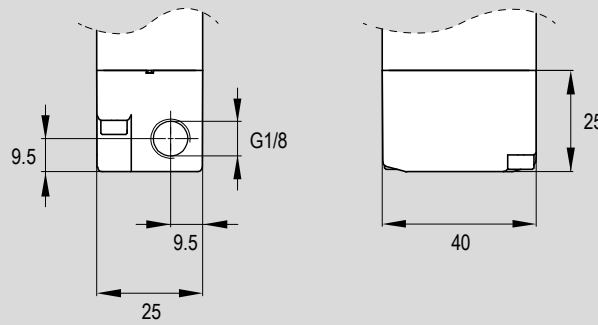


Standard dimensions

Type: 5/2 lever/spring
5/2 lever/lever detent



Type: 5/2 lever/pilot



Version	Symbol	Code	Item
1/4" 5/2 lever/spring side lever		034078	A1MA250LL
1/4" 5/2 lever/lever detent side lever		034079	A1MA251LL
1/4" 5/2 lever/pilot side lever		034176	A1MA251LLP