

Manual lever operated valves series A1

1/4", 3/2 side lever



Main features

Version	Code	Item	Symbol
3/2 N.C. lever/spring side lever	034077	A1MA230LL	
3/2 lever/lever detent side lever	034076	A1MA232LL	
3/2 lever/pilot side lever	034295	A1MA232LLP	



Technical data

Version	3/2 normally closed lever/spring	3/2 lever/lever detent	3/2 lever/pilot
Code	034077	034076	034295
Item	A1MA230LL	A1MA232LL	A1MA232LLP
Size	1/4"		
Orifice	8 mm		
Configuration	Side lever		
Fluid	Compressed air with or without lubrication. Lubrication, if started, must be continued.		
Pressure range	0 ÷ 10 bar		
Temperature range	-10°C ÷ +80°C (standard)	-25°C ÷ +60°C (BT)	
Flow at 6 bar with ΔP 1 bar	1.100 NI/min.		
Mounting	In every position		

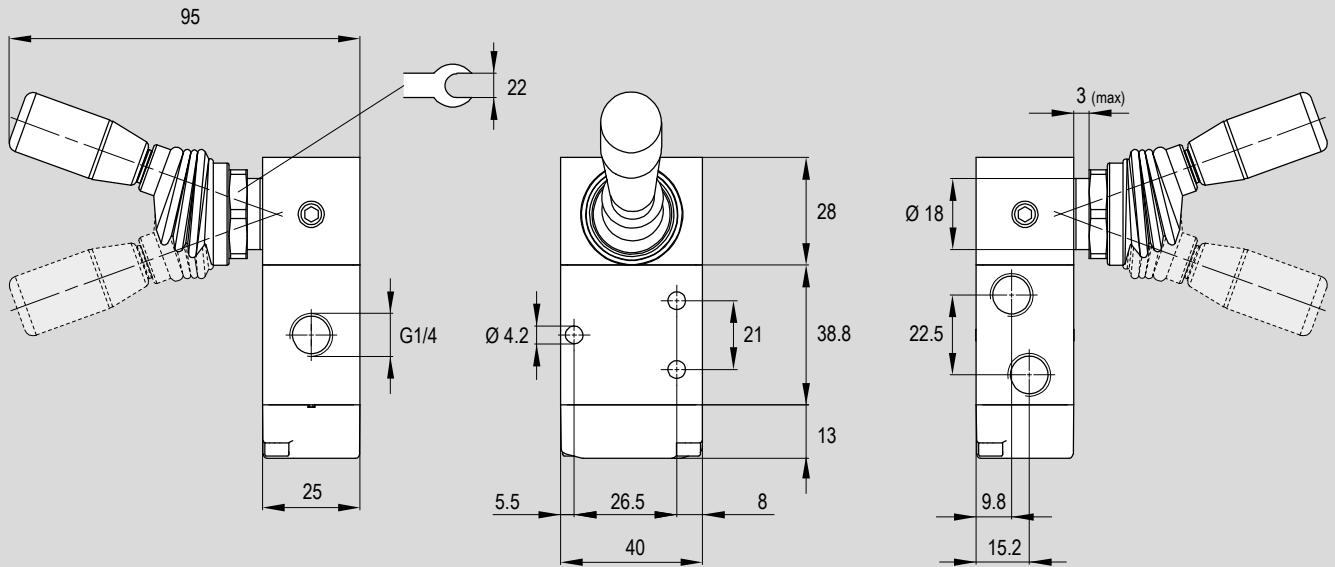
Manual lever operated valves series A1

1/4", 3/2 side lever

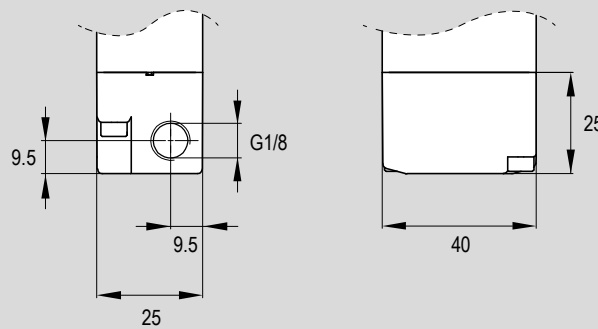


Standard dimensions

Type: **3/2 lever/spring N.C.**
3/2 lever/lever detent



Type: **3/2 lever/pilot**



Version	Symbol	Code	Item
1/4" 3/2 lever/spring normally closed side lever		034077	A1MA230LL
1/4" 3/2 lever/lever detent side lever		034076	A1MA232LL
1/4" 3/2 lever/pilot side lever		034295	A1MA232LLP