
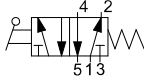

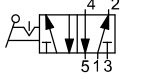
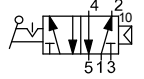


Manual lever operated valves series A1

1/8", 5/2 side lever



Main features

Version	Code	Item	Symbol
5/2 lever/spring side lever	034064 	A1MA150LL	
5/2 lever/lever detent side lever	034063 	A1MA151LL	
5/2 lever/pilot side lever	034169	A1MA151LLP	



Technical data

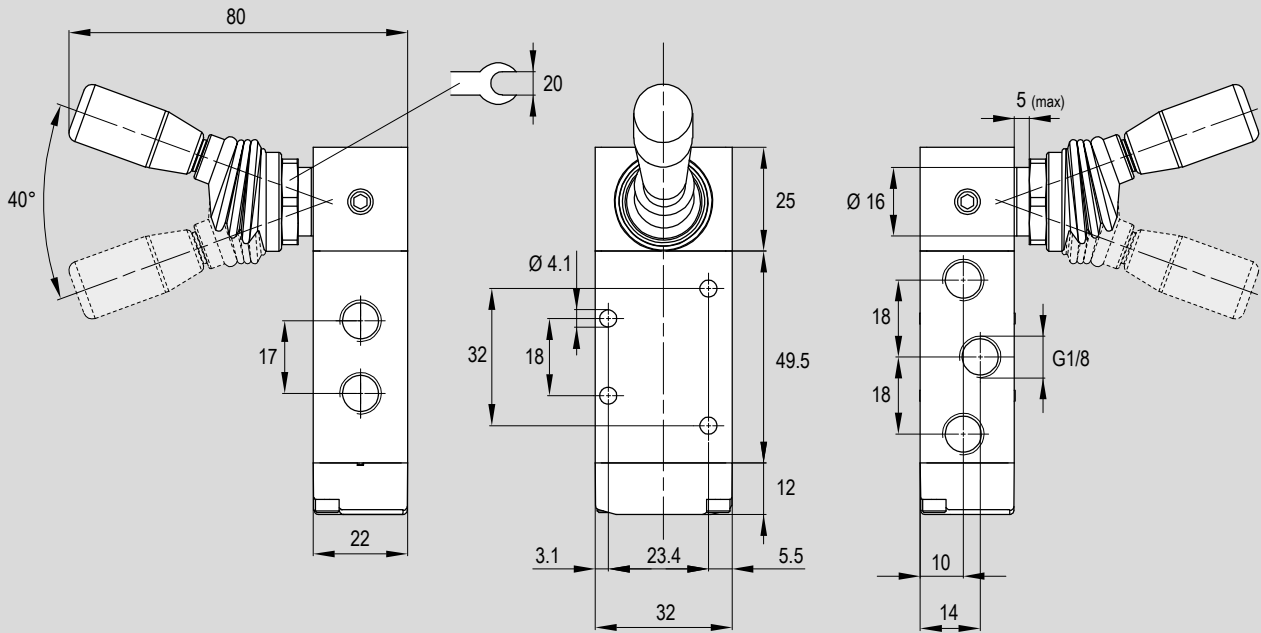
Version	5/2 lever/spring	5/2 lever/lever detent	5/2 lever/pilot
Code	034063	034063	034169
Item	A1MA150LL	A1MA151LL	A1MA151LLP
Size	1/8"		
Orifice	6.5 mm		
Configuration	Side lever		
Fluid	Compressed air with or without lubrication. Lubrication, if started, must be continued.		
Pressure range	0 ÷ 10 bar		
Temperature range	-10°C ÷ +80°C (standard)	-25°C ÷ +60°C (BT)	
Flow at 6 bar with ΔP 1 bar	650 NI/min.		
Mounting	In every position		

Manual lever operated valves series A1
1/8", 5/2 side lever

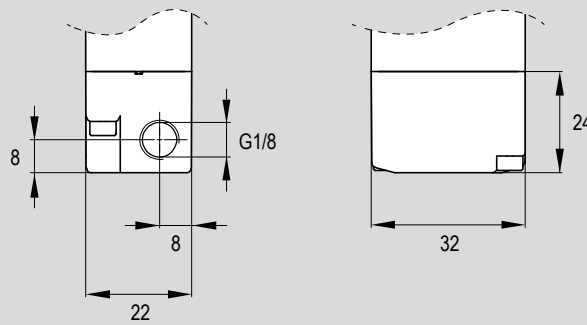


Standard dimensions

Type: 5/2 lever/spring
5/2 lever/lever detent



Type: 5/2 lever/pilot



Version	Symbol	Code	Item
1/8" 5/2 lever/spring side lever		034064	A1MA150LL
1/8" 5/2 lever/lever detent side lever		034063	A1MA151LL
1/8" 5/2 lever/pilot side lever		034169	A1MA151LLP