
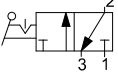


Manual lever operated valves series A1

1/8", 3/2 top lever



Main features

Version	Code	Item	Symbol
3/2 lever/lever detent top lever	034082 	A1MA132LT	

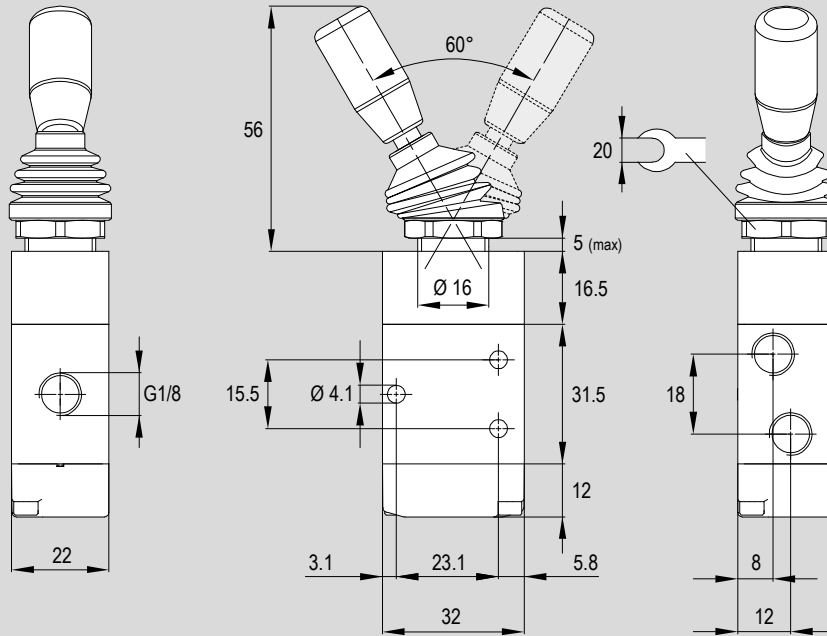


Technical data

Version	3/2 lever/lever detent
Code	034082
Item	A1MA132LT
Size	1/8"
Orifice	6.5 mm
Configuration	Top lever
Fluid	Compressed air with or without lubrication. Lubrication, if started, must be continued.
Pressure range	0 ÷ 10 bar
Temperature range	-10°C ÷ +80°C (standard) -25°C ÷ +60°C (BT)
Flow at 6 bar with ΔP 1 bar	650 NI/min.
Mounting	In every position

Standard dimensions

Type: 3/2 lever/lever detent



2 - VALVES

Version	Symbol	Code	Item
1/8" 3/2 lever/lever detent top lever		034082	A1MA132LT