

Manual lever operated valves series A1

1/8", 3/2 side lever



Main features

Version	Code	Item	Symbol
3/2 lever/spring N.C. side lever	034071	A1MA130LL	
3/2 lever/lever detent side lever	034070	A1MA132LL	
3/2 lever/pilot side lever	034294	A1MA132LLP	



Technical data

Version	3/2 normally closed lever/spring	3/2 lever/lever detent	3/2 lever/pilot
Code	034071	034070	034294
Item	A1MA130LL	A1MA132LL	A1MA132LLP
Size	1/8"		
Orifice	6.5 mm		
Configuration	Side lever		
Fluid	Compressed air with or without lubrication. Lubrication, if started, must be continued.		
Pressure range	0 ÷ 10 bar		
Temperature range	-10°C ÷ +80°C (standard)	-25°C ÷ +60°C (BT)	
Flow at 6 bar with ΔP 1 bar	650 NI/min.		
Mounting	In every position		

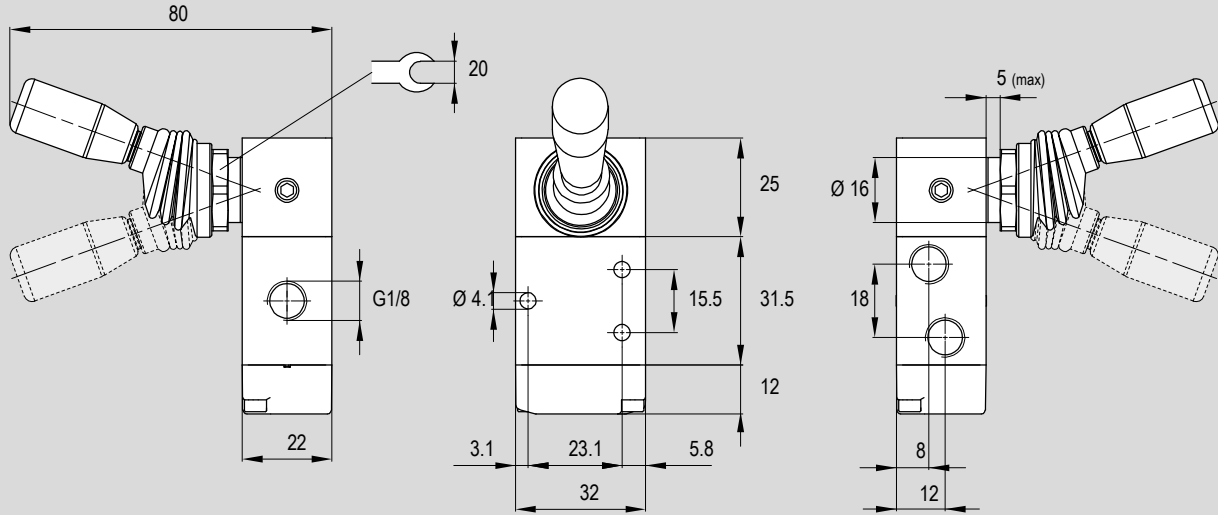
2 - VALVES

Manual lever operated valves series A1
1/8", 3/2 side lever

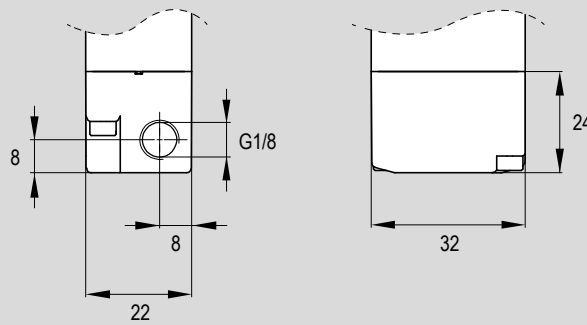


Standard dimensions

Type: **3/2 lever/spring N.C.**
3/2 lever/lever detent



Type: **3/2 lever/pilot**



2 - VALVES

Version	Symbol	Code	Item
1/8" 3/2 lever/spring normally closed side lever		034071	A1MA130LL
1/8" 3/2 lever/lever detent side lever		034070	A1MA132LL
1/8" 3/2 lever/pilot side lever		034294	A1MA132LLP