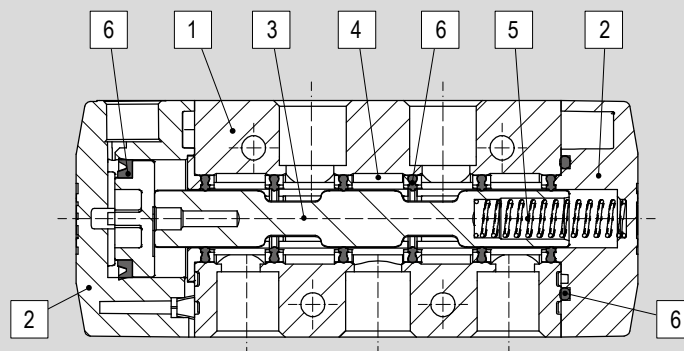
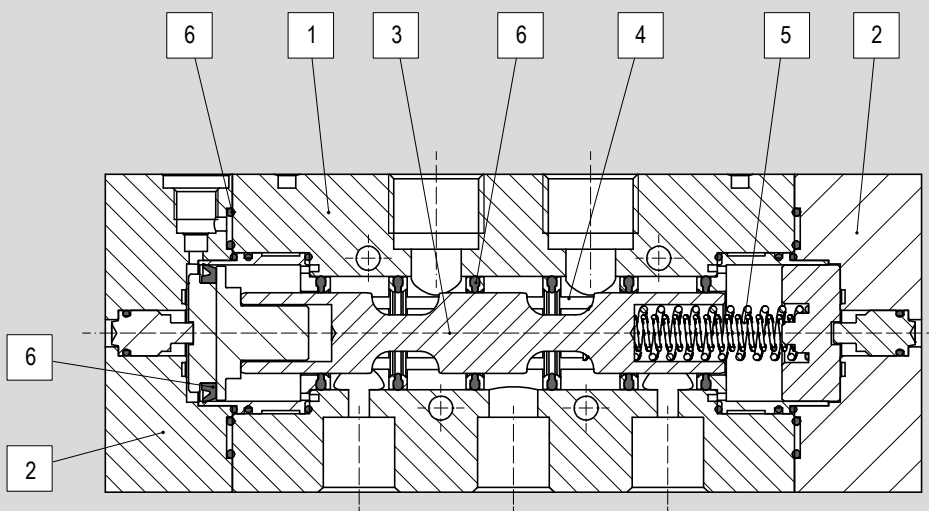


Standard materials

Size: 1/8"
1/4"



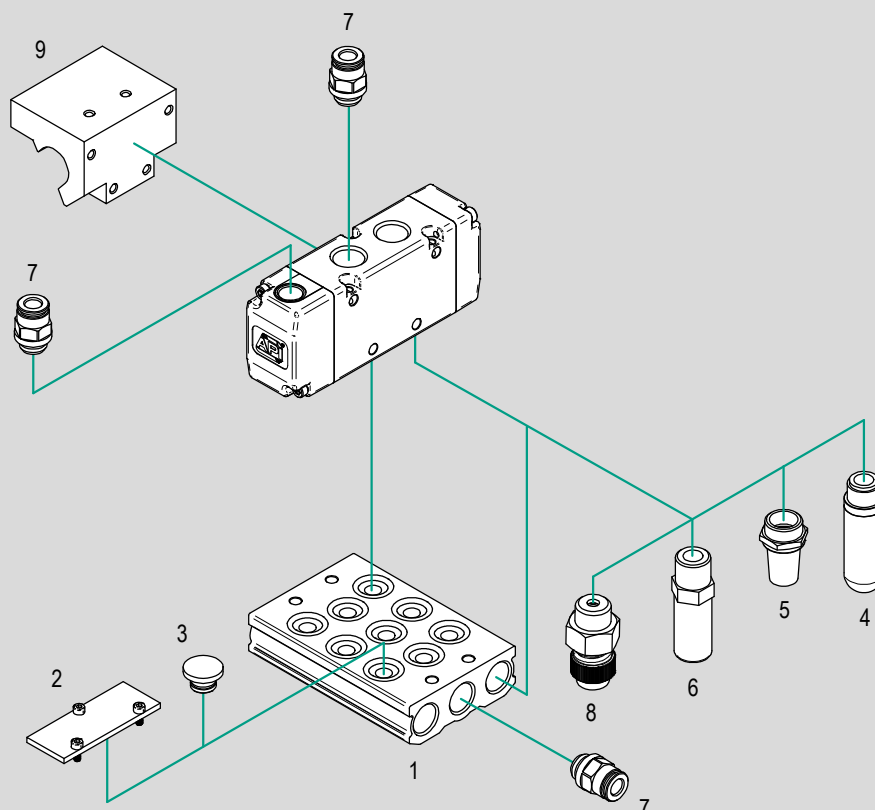
Size: 1/2"



2 - VALVES

Position	Description	Material		
		1/8"	1/4"	1/2"
1	Body	Die-cast painted aluminium		Anodized aluminium
2	Covers	Tecnopolymer		Anodized aluminium
3	Spool	Hard anodized aluminium		
4	Distancers	Tecnopolymer		
5	Spring	Spring steel		
6	Seals	HNBR		

Accessories



N.	Item	Description	Compliance	Matching			Code key page	Data sheet page
				1/8"	1/4"	1/2"		
1	A1B..	Sub-bases	-	●	●	-	2.37.1	2.38.1
2	A1C..	Closing plates for sub-bases	-	●	●	-		2.38.30
3	A1T..	Plugs for sub-bases	-	●	●	-		
4	AS..	Plastic silencers	-	●	●	●	4.151.10	
	SP..			●	●	●	4.151.20	
5	A..	Sintered silencers	-	●	●	●	4.153.10	
6	M..	Metal silencers	-	●	●	●	4.155.10	
7	R..	Push-in fittings	UNI ISO 228/1 UNI ISO7/1 ISO R/232	●	●	●	4.2.1	
8	A..	Silenced exhaust restrictors	-	●	●	●	4.97.1	
9	PSV..	Plate for ISO cylinders	ISO15552	●	●	●	2.37.1	2.39.1

Key

● matching accessory; - not matching accessory

Air operated valves series A1

1/8", 3/2 Pilot/Spring



Main features

Version	Code	Item	Symbol
3/2 Normally closed	034014	A1P130	
3/2 Normally open	034015	A1P131	



Technical data

Version	3/2 Normally closed	3/2 Normally open
Code	034014	034015
Item	A1P130	A1P131
Size	1/8"	
Fluid	Compressed air with or without lubrication. Lubrication, if started, must be continued.	
Pressure range	1,5 ÷ 10 bar	
Temperature range	-10°C ÷ +60°C (standard)	-25°C ÷ +60°C (BT)
Orifice Ø	6.5 mm	
Flow at 6 bar with ΔP 1 bar	650 NI/min.	
Mounting	In every position	

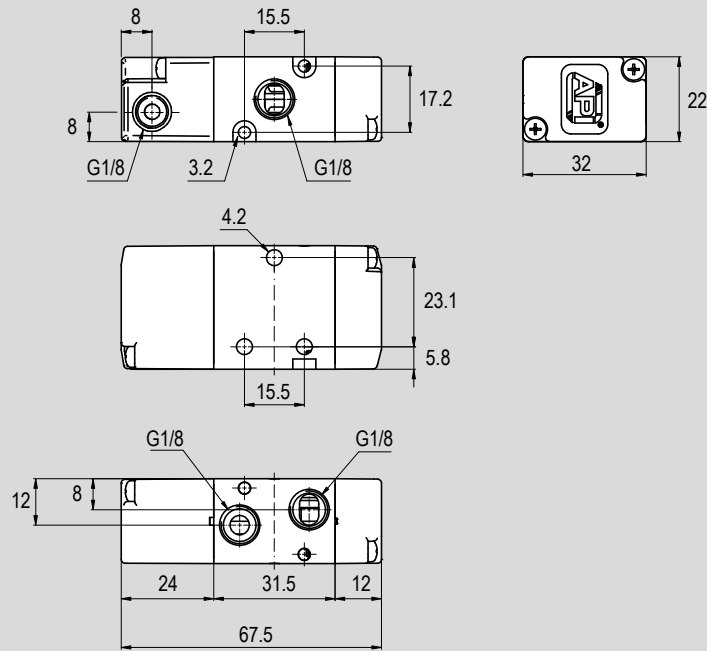
Air operated valves series A1

1/8", 3/2 Pilot/Spring



Standard dimensions

Type: **3/2 N.C.**
3/2 N.O.



2 - VALVES

Version	Symbol	Code	Item
1/8" 3/2 Normally closed		034014	A1P130
1/8" 3/2 Normally open		034015	A1P131

Air operated valves series A1

1/8", 3/2 Pilot/Pilot



Main features

Version	Code	Item	Symbol
3/2 pilot/pilot	034016	A1P132	
3/2 pilot/pilot differential	034017	A1P133	



Technical data

Version	3/2 pilot/pilot	3/2 pilot/pilot differential
Code	034016	034017
Item	A1P132	A1P133
Size	1/8"	
Fluid	Compressed air with or without lubrication. Lubrication, if started, must be continued.	
Pressure range	1 ÷ 10 bar	
Temperature range	-10°C ÷ +60°C (standard)	-25°C ÷ +60°C (BT)
Orifice Ø	6.5 mm	
Flow at 6 bar with ΔP 1 bar	650 NI/min.	
Mounting	In every position	

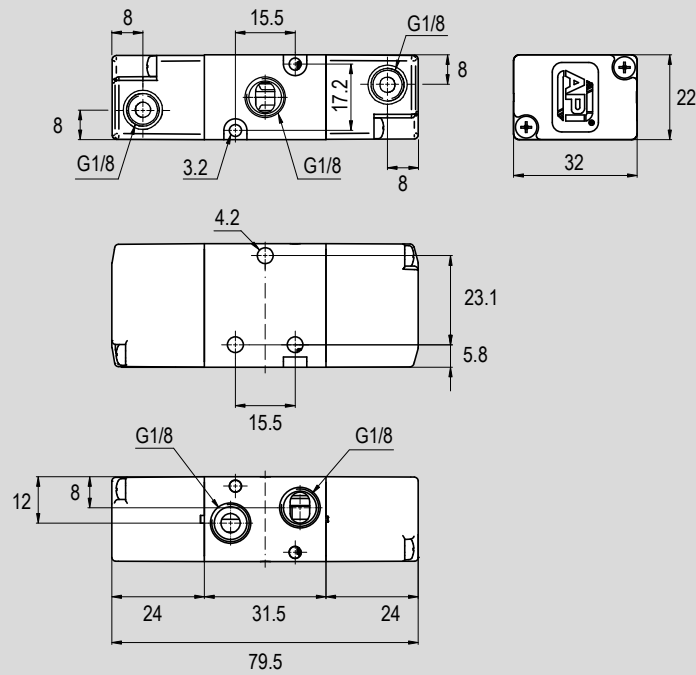
Air operated valves series A1

1/8", 3/2 Pilot/Pilot



Standard dimensions

Type: **3/2 pilot/pilot**
3/2 pilot/pilot
differential



2 - VALVES

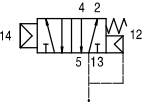
Version	Symbol	Code	Item
1/8" 3/2 pilot/pilot		034016	A1P132
1/8" 3/2 pilot/pilot differential		034017	A1P133

Air operated valves series A1

1/8", 5/2 Pilot/Spring



Main features

Version	Code	Item	Symbol
5/2 pilot/spring	034001	A1P150	



Technical data

Version	5/2 pilot/spring	
Code	034001	
Item	A1P150	
Size	1/8"	
Fluid	Compressed air with or without lubrication. Lubrication, if started, must be continued.	
Pressure range	1,5 ÷ 10 bar	
Temperature range	-10°C ÷ +60°C (standard)	-25°C ÷ +60°C (BT)
Orifice Ø	6.5 mm	
Flow at 6 bar with ΔP 1 bar	650 NI/min.	
Mounting	In every position	

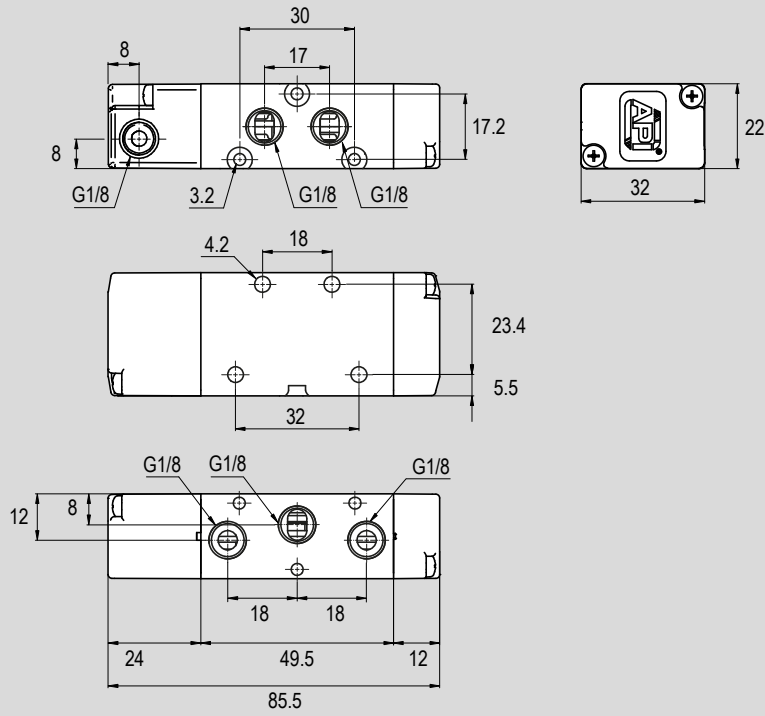
Air operated valves series A1

1/8", 5/2 Pilot/Spring



Standard dimensions

Type: **5/2 pilot/spring**



2 - VALVES

Version	Symbol	Code	Item
1/8" 5/2 pilot/spring		034001	A1P150

Air operated valves series A1

1/8", 5/2 Pilot/Pilot



Main features

Version	Code	Item	Symbol
5/2 pilot/pilot	034002	A1P151	
5/2 pilot/pilot differential	034018	A1P152	



Technical data

Version	5/2 pilot/pilot	5/2 pilot/pilot differential
Code	034002	034018
Item	A1P151	A1P152
Size	1/8"	
Fluid	Compressed air with or without lubrication. Lubrication, if started, must be continued.	
Pressure range	1 ÷ 10 bar	
Temperature range	-10°C ÷ +60°C (standard)	-25°C ÷ +60°C (BT)
Orifice Ø	6.5 mm	
Flow at 6 bar with ΔP 1 bar	650 NI/min.	
Mounting	In every position	

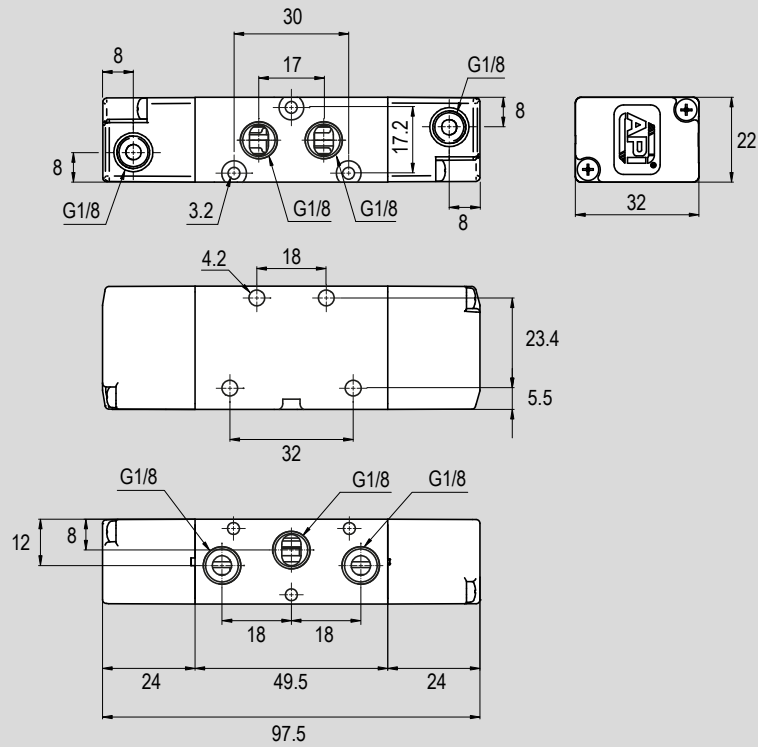
Air operated valves series A1



1/8", 5/2 Pilot/Pilot



Standard dimensions

Type: **5/2 pilot/pilot**
5/2 pilot/pilot
differential



Version	Symbol	Code	Item
1/8" 5/2 pilot/pilot		034002	A1P151
1/8" 5/2 pilot/pilot differential		034018	A1P152

Air operated valves series A1

1/8", 5/3



Main features

Version	Code	Item	Symbol
5/3 closed centres	034019	A1P170	
5/3 open centres	034020	A1P171	
5/3 pressurized centres	034022	A1P172	
5/3 closed centres differential	034175	A1P173	

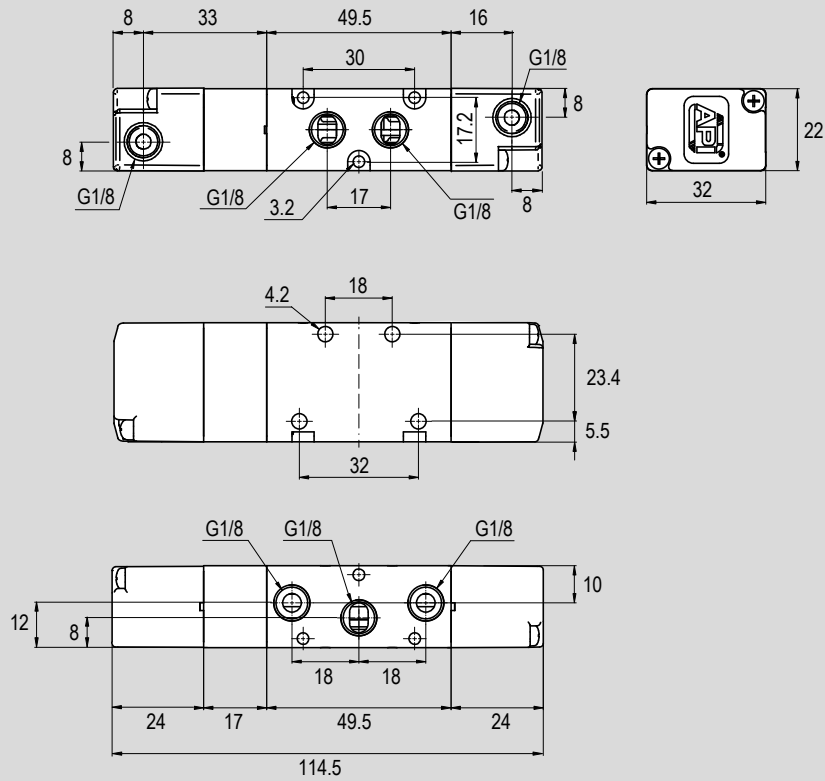


Technical data

Version	5/3 closed centres	5/3 open centres	5/3 pressurized centres	5/3 closed centres differential
Code	034019	034020	034022	034175
Item	A1P170	A1P171	A1P172	A1P173
Size	1/8"			
Fluid	Compressed air with or without lubrication. Lubrication, if started, must be continued.			
Pressure range	2,5 ÷ 10 bar			
Temperature range	-10°C ÷ +60°C (standard)		-25°C ÷ +60°C (BT)	
Orifice Ø	6.5 mm			
Flow at 6 bar with ΔP 1 bar	650 NI/min.			
Mounting	In every position			

Standard dimensions

Type: **5/3 C.C.**
5/3 O.C.
5/3 P.C.



2 - VALVES

Version	Symbol	Code	Item
1/8" 5/3 closed centres		034019	A1P170
1/8" 5/3 open centres		034020	A1P171
1/8" 5/3 pressurized centres		034022	A1P172
1/8" 5/3 closed centres differential		034175	A1P173

Air operated valves series A1

1/4", 3/2 Pilot/Spring



Main features

Version	Code	Item	Symbol
3/2 Normally closed	034027	A1P230	
3/2 Normally open	034054	A1P231	



Technical data

Version	3/2 Normally closed	3/2 Normally open
Code	034027	034054
Item	A1P230	A1P231
Size	1/4"	
Fluid	Compressed air with or without lubrication. Lubrication, if started, must be continued.	
Pressure range	1,5 ÷ 10 bar	
Temperature range	-10°C ÷ +60°C (standard)	-25°C ÷ +60°C (BT)
Orifice Ø	8 mm	
Flow at 6 bar with ΔP 1 bar	1.100 Nl/min.	
Mounting	In every position	

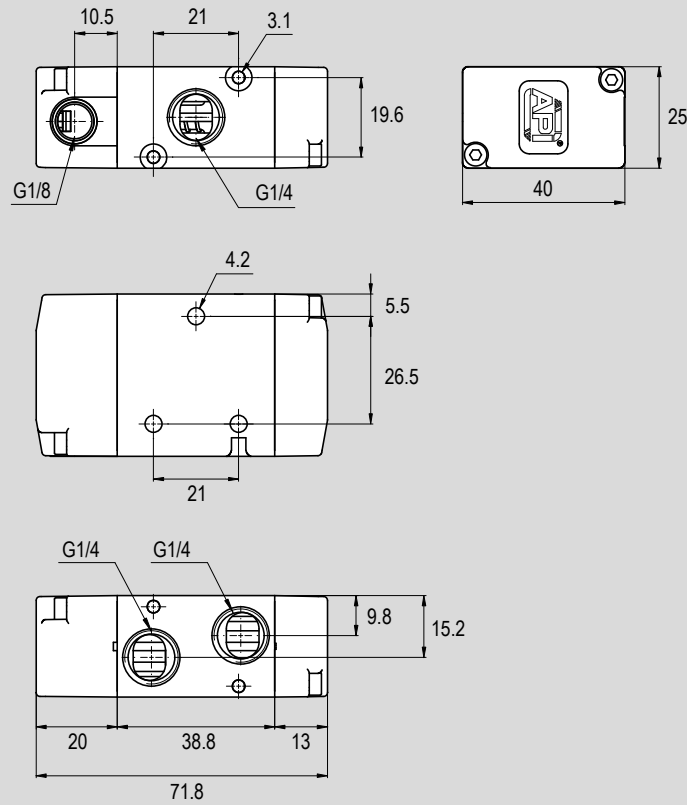
Air operated valves series A1

1/4", 3/2 Pilot/Spring



Standard dimensions

Type: **3/2 N.C.**
3/2 N.O.



2 - VALVES

Version	Symbol	Code	Item
1/4" 3/2 Normally closed		034027	A1P230
1/4" 3/2 Normally open		034054	A1P231

Air operated valves series A1

1/4", 3/2 Pilot/Pilot



Main features

Version	Code	Item	Symbol
3/2 pilot/pilot	034026	A1P232	
3/2 pilot/pilot differential	034055	A1P233	



Technical data

Version	3/2 pilot/pilot	3/2 pilot/pilot differential
Code	034026	034055
Item	A1P232	A1P233
Size	1/4"	
Fluid	Compressed air with or without lubrication. Lubrication, if started, must be continued.	
Pressure range	1 ÷ 10 bar	
Temperature range	-10°C ÷ +60°C (standard)	-25°C ÷ +60°C (BT)
Orifice Ø	8 mm	
Flow at 6 bar with ΔP 1 bar	1.100 NI/min.	
Mounting	In every position	

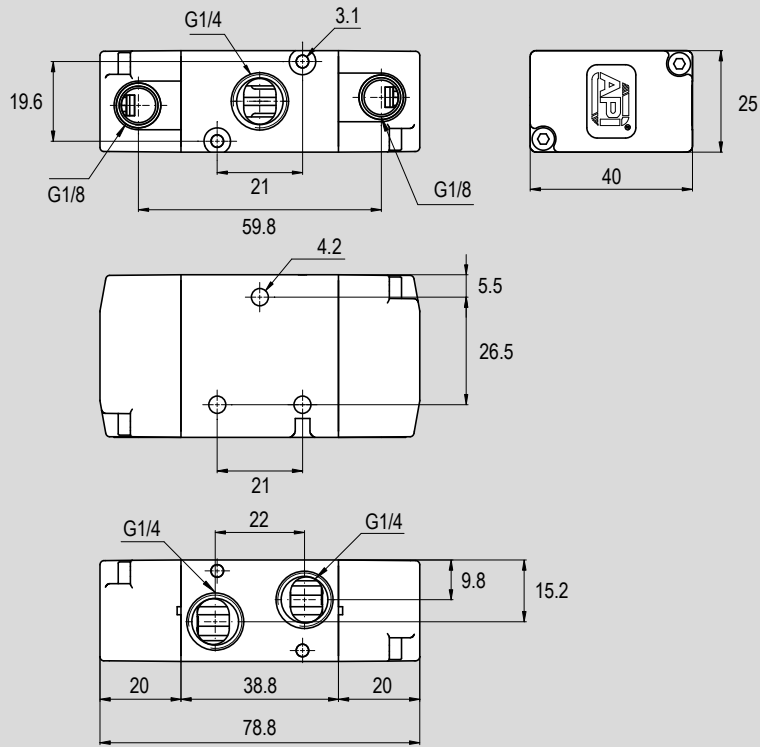
Air operated valves series A1

1/4", 3/2 Pilot/Pilot



Standard dimensions

Type: 3/2 pilot/pilot



2 - VALVES

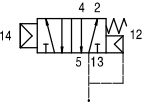
Version	Symbol	Code	Item
1/4" 3/2 pilot/pilot		034026	A1P232
1/4" 3/2 pilot/pilot differential		034055	A1P233

Air operated valves series A1

1/4", 5/2 Pilot/Spring



Main features

Version	Code	Item	Symbol
5/2 pilot/spring	034101	A1P250	



Technical data

Version	5/2 pilot/spring	
Code	034101	
Item	A1P250	
Size	1/4"	
Fluid	Compressed air with or without lubrication. Lubrication, if started, must be continued.	
Pressure range	1,5 ÷ 10 bar	
Temperature range	-10°C ÷ +60°C (standard)	-25°C ÷ +60°C (BT)
Orifice Ø	8 mm	
Flow at 6 bar with ΔP 1 bar	1.100 NI/min.	
Mounting	In every position	

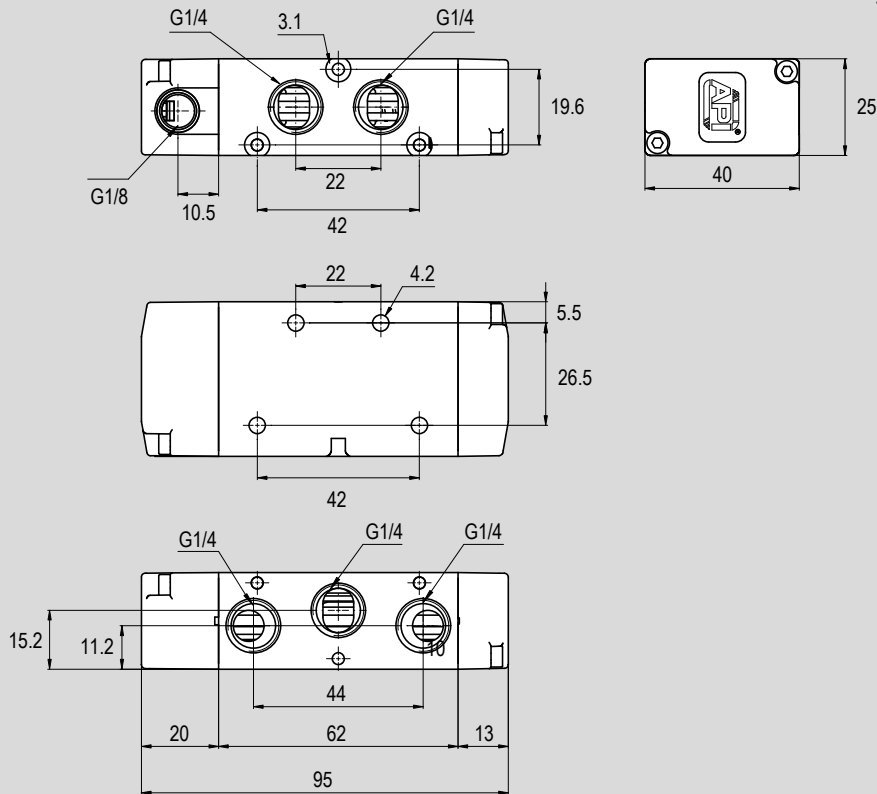
Air operated valves series A1

1/4", 5/2 Pilot/Spring



Standard dimensions

Type: **5/2 pilot/spring**



Version	Symbol	Code	Item
1/4" 5/2 pilot/spring		034101	A1P250

Air operated valves series A1

1/4", 5/2 Pilot/Pilot



Main features

Version	Code	Item	Symbol
5/2 pilot/pilot	034102	A1P251	
5/2 pilot/pilot differential	034056	A1P252	



Technical data

Version	5/2 pilot/pilot	5/2 pilot/pilot differential
Code	034102	034056
Item	A1P251	A1P252
Size	1/4"	
Fluid	Compressed air with or without lubrication. Lubrication, if started, must be continued.	
Pressure range	1 ÷ 10 bar	
Temperature range	-10°C ÷ +60°C (standard)	-25°C ÷ +60°C (BT)
Orifice Ø	8 mm	
Flow at 6 bar with ΔP 1 bar	1.100 NI/min.	
Mounting	In every position	

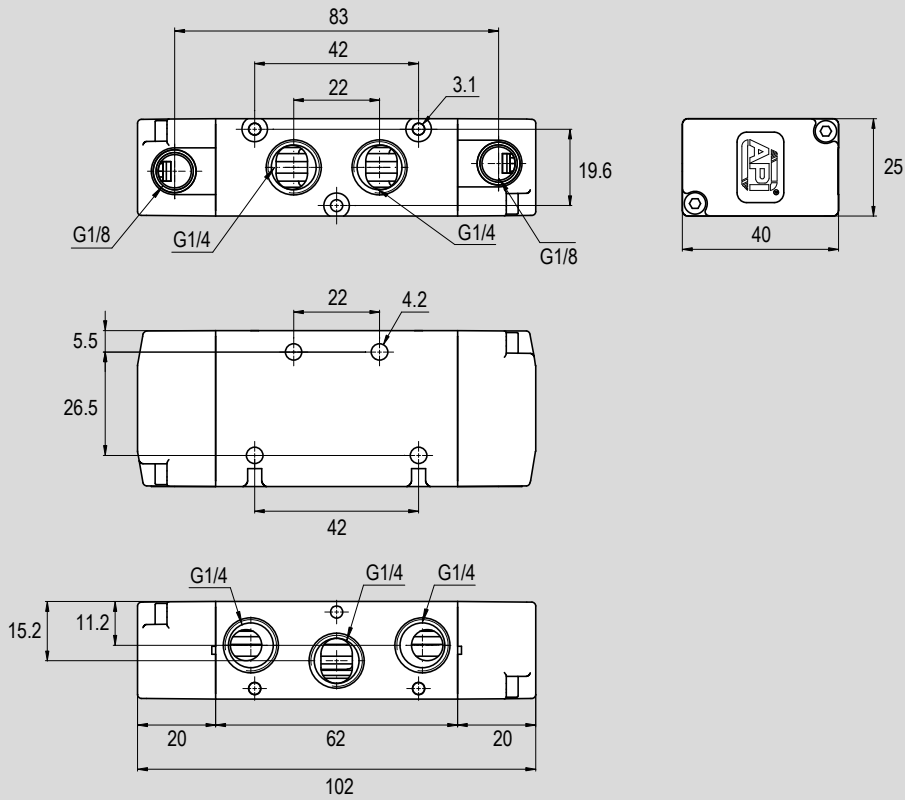
Air operated valves series A1

1/4", 5/2 Pilot/Pilot



Standard dimensions

Type: **5/2 pilot/pilot**
5/2 pilot/pilot
differential



2 - VALVES

Version	Symbol	Code	Item
1/4" 5/2 pilot/pilot		034102	A1P251
1/4" 5/2 pilot/pilot differential		034056	A1P252

Air operated valves series A1

1/4", 5/3



Main features

Version	Code	Item	Symbol
5/3 closed centres	034029	A1P270	
5/3 open centres	034030	A1P271	
5/3 pressurized centres	034028	A1P272	



Technical data

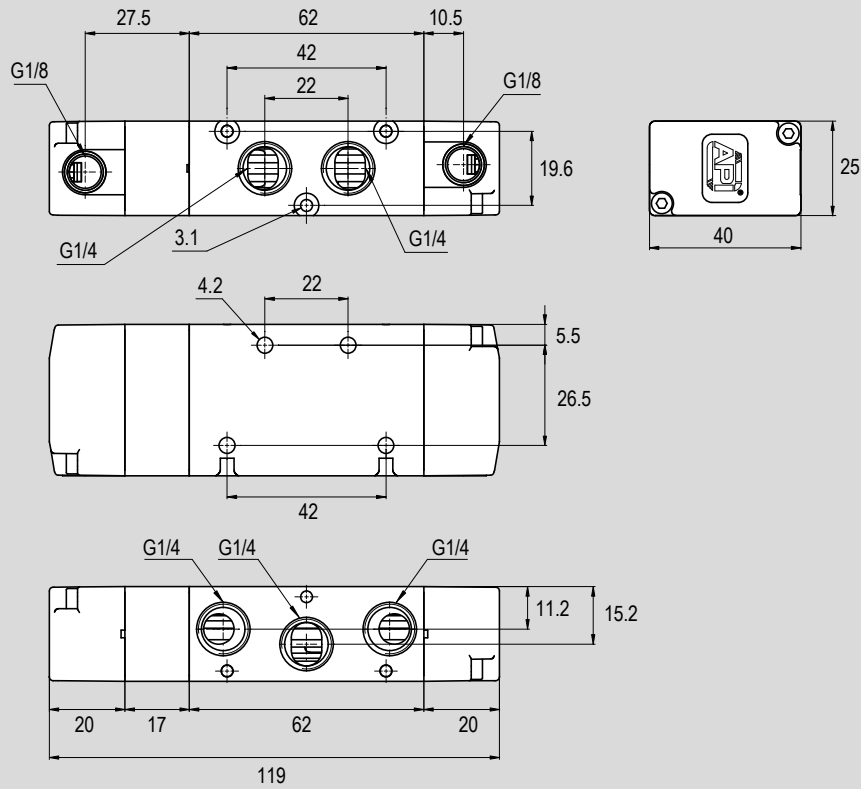
Version	5/3 closed centres	5/3 open centres	5/3 pressurized centres
Code	034029	034030	034028
Item	A1P270	A1P271	A1P272
Size	1/4"		
Fluid	Compressed air with or without lubrication. Lubrication, if started, must be continued.		
Pressure range	2,5 ÷ 10 bar		
Temperature range	-10°C ÷ +60°C (standard)	-25°C ÷ +60°C (BT)	
Orifice Ø	8 mm		
Flow at 6 bar with ΔP 1 bar	1.100 NI/min.		
Mounting	In every position		

Air operated valves series A1
1/4", 5/3



Standard dimensions

Type: 5/3 C.C.
5/3 O.C.
5/3 P.C.



2 - VALVES

Version	Symbol	Code	Item
1/4" 5/3 closed centres		034029	A1P270
1/4" 5/3 open centres		034030	A1P271
1/4" 5/3 pressurized centres		034028	A1P272

Air operated valves series A1

1/2", 3/2 Pilot/Spring



Main features

Version	Code	Item	Symbol
3/2 Normally closed	034116	A1P430	
3/2 Normally open	034127	A1P431	



Technical data

Version	3/2 Normally closed	3/2 Normally open
Code	034116	034127
Item	A1P430	A1P431
Size	1/2"	
Fluid	Compressed air with or without lubrication. Lubrication, if started, must be continued.	
Pressure range	2,5 ÷ 10 bar	
Temperature range	-10°C ÷ +60°C (standard)	-25°C ÷ +60°C (BT)
Orifice Ø	15 mm	
Flow at 6 bar with ΔP 1 bar	2.900 Nl/min.	
Mounting	In every position	

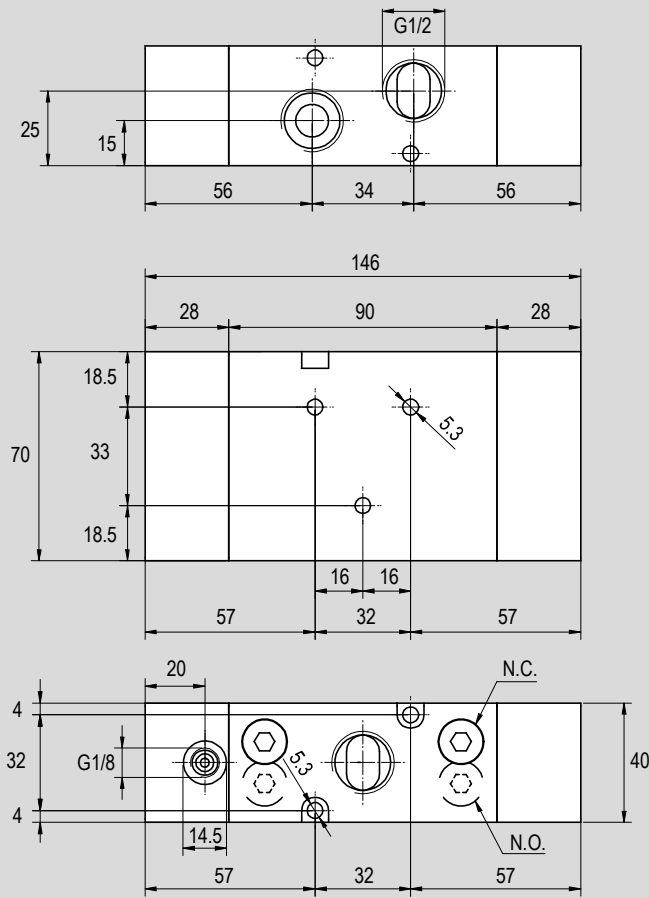
Air operated valves series A1

1/2", 3/2 Pilot/Spring



Standard dimensions

Type: **3/2 N.C.**
3/2 N.O.



2 - VALVES

Version	Symbol	Code	Item
1/2" 3/2 Normally closed		034116	A1P430
1/2" 3/2 Normally open		034127	A1P431

Air operated valves series A1

1/2", 3/2 Pilot/Pilot



Main features

Version	Code	Item	Symbol
3/2 pilot/pilot	034128	A1P432	



Technical data

Version	3/2 pilot/pilot	
Code	034128	
Item	A1P432	
Size	1/2"	
Fluid	Compressed air with or without lubrication. Lubrication, if started, must be continued.	
Pressure range	1 ÷ 10 bar	
Temperature range	-10°C ÷ +60°C (standard)	-25°C ÷ +60°C (BT)
Orifice Ø	15 mm	
Flow at 6 bar with ΔP 1 bar	2.900 NI/min.	
Mounting	In every position	

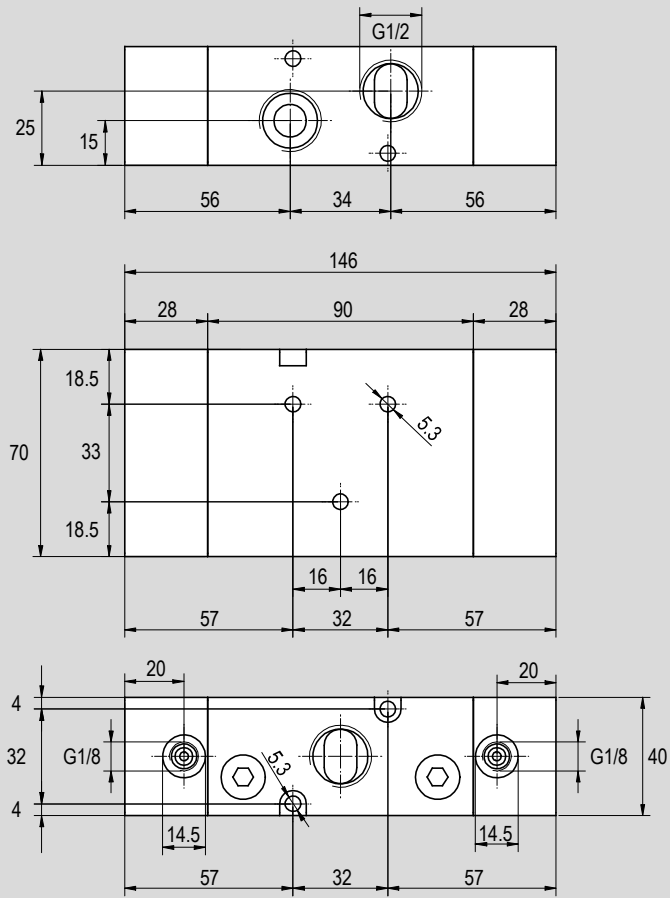
Air operated valves series A1

1/2", 3/2 Pilot/Pilot



Standard dimensions

Type: **3/2 pilot/pilot**



2 - VALVES

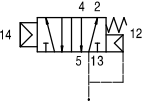
Version	Symbol	Code	Item
1/2" 3/2 pilot/pilot		034128	A1P432

Air operated valves series A1

1/2", 5/2 Pilot/Spring



Main features

Version	Code	Item	Symbol
5/2 pilot/spring	034117	A1P450	



Technical data

Version	5/2 pilot/spring	
Code	034117	
Item	A1P450	
Size	1/2"	
Fluid	Compressed air with or without lubrication. Lubrication, if started, must be continued.	
Pressure range	2,5 ÷ 10 bar	
Temperature range	-10°C ÷ +60°C (standard)	-25°C ÷ +60°C (BT)
Orifice Ø	15 mm	
Flow at 6 bar with ΔP 1 bar	2.900 NI/min.	
Mounting	In every position	

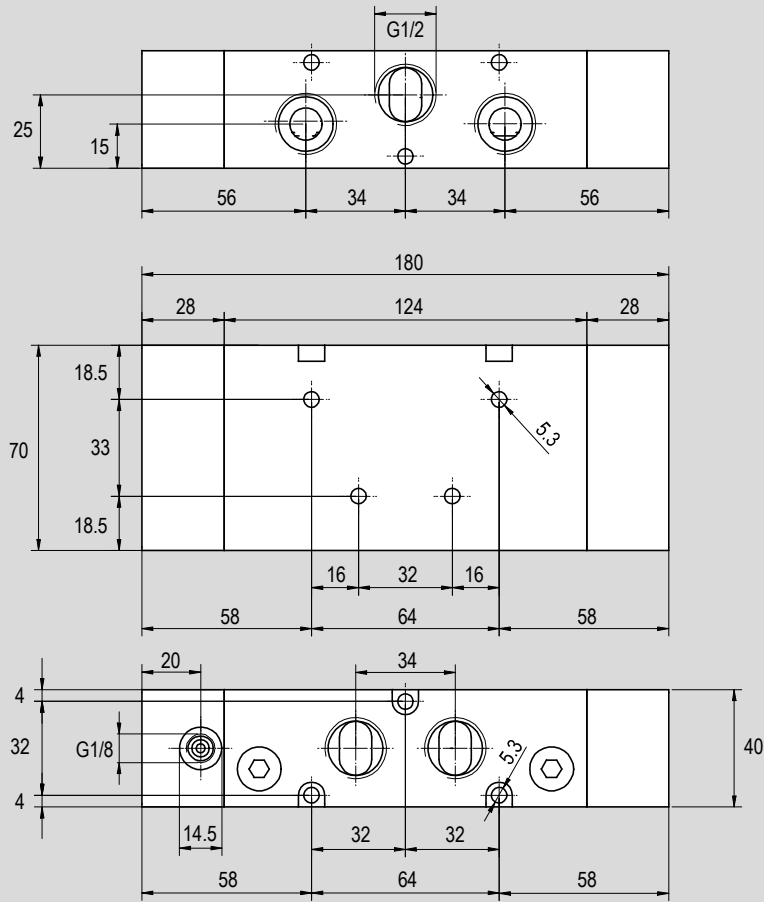
Air operated valves series A1

1/2", 5/2 Pilot/Spring



Standard dimensions

Type: **5/2 pilot/spring**



2 - VALVES

Version	Symbol	Code	Item
1/2" 5/2 pilot/spring		034117	A1P450

Air operated valves series A1

1/2", 5/2 Pilot/Pilot



Main features

Version	Code	Item	Symbol
5/2 pilot/pilot	034118	A1P451	
5/2 pilot/pilot differential	034136	A1P452	



Technical data

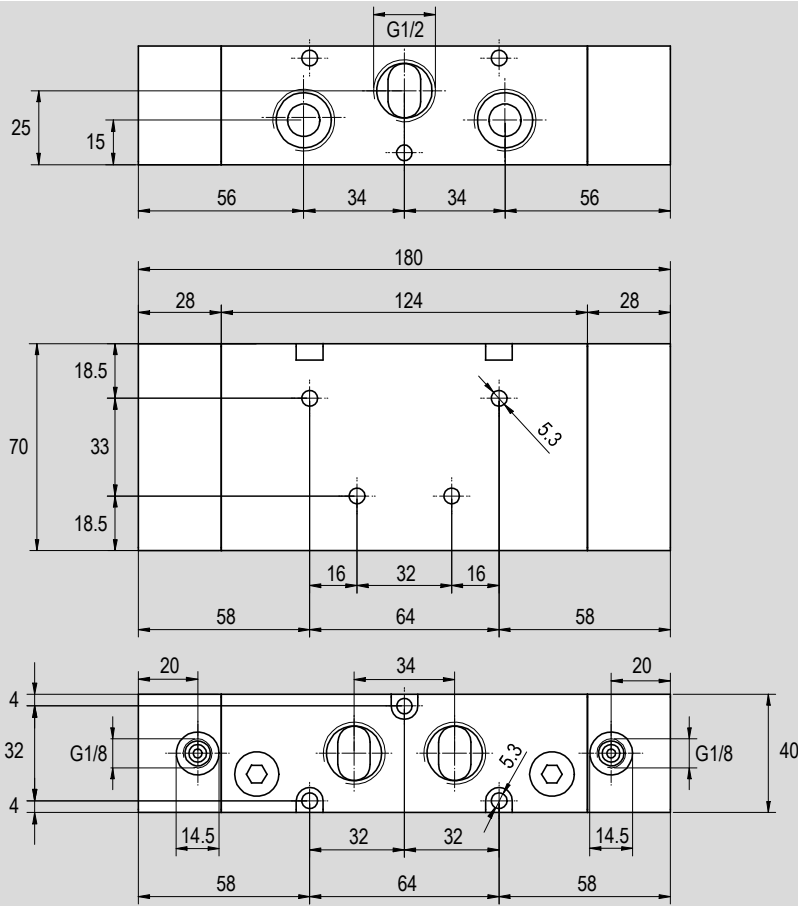
Version	5/2 pilot/pilot	5/2 pilot/pilot differential
Code	034118	034136
Item	A1P451	A1P452
Size	1/2"	
Fluid	Compressed air with or without lubrication. Lubrication, if started, must be continued.	
Pressure range	1 ÷ 10 bar	
Temperature range	-10°C ÷ +60°C (standard)	-25°C ÷ +60°C (BT)
Orifice Ø	15 mm	
Flow at 6 bar with ΔP 1 bar	2.900 NI/min.	
Mounting	In every position	

Air operated valves series A1

1/2", 5/2 Pilot/Pilot



Standard dimensions



Type: **5/2 pilot/pilot**
5/2 pilot/pilot
differential

2 - VALVES

Version	Symbol	Code	Item
1/2" 5/2 pilot/pilot		034118	A1P451
1/2" 5/2 pilot/pilot differential		034136	A1P452

Air operated valves series A1

1/2", 5/3



Main features

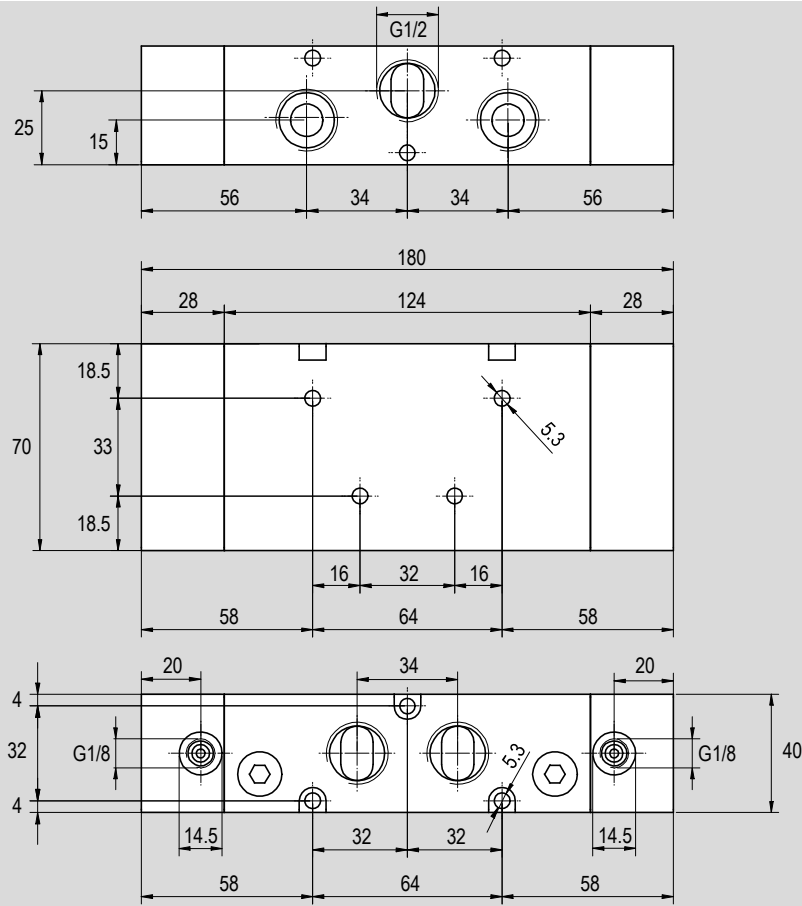
Version	Code	Item	Symbol
5/3 closed centres	034129	A1P470	
5/3 open centres	034130	A1P471	
5/3 pressurized centres	034135	A1P472	



Technical data

Version	5/3 closed centres	5/3 open centres	5/3 pressurized centres
Code	034129	034130	034135
Item	A1P470	A1P471	A1P472
Size	1/2"		
Fluid	Compressed air with or without lubrication. Lubrication, if started, must be continued.		
Pressure range	2,5 ÷ 10 bar		
Temperature range	-10°C ÷ +60°C (standard)	-25°C ÷ +60°C (BT)	
Orifice Ø	15 mm		
Flow at 6 bar with ΔP 1 bar	2.900 NI/min.		
Mounting	In every position		

Standard dimensions



Type: **5/3 C.C.**
5/3 O.C.
5/3 P.C.

2 - VALVES

Version	Symbol	Code	Item
1/2" 5/3 closed centres		034129	A1P470
1/2" 5/3 open centres		034130	A1P471
1/2" 5/3 pressurized centres		034135	A1P472