
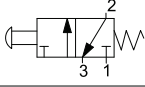

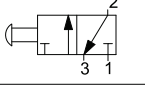
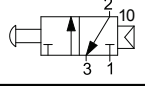


Manual lever operated valves series A1

1/4", 3/2 push-pull



Main features

Version	Code	Item	Symbol
3/2 N.C. spring return	034103 	A1MA230TT	
3/2 two positions detent	034104 	A1MA232TT	
3/2 pilot return	034359	A1MA232TTP	



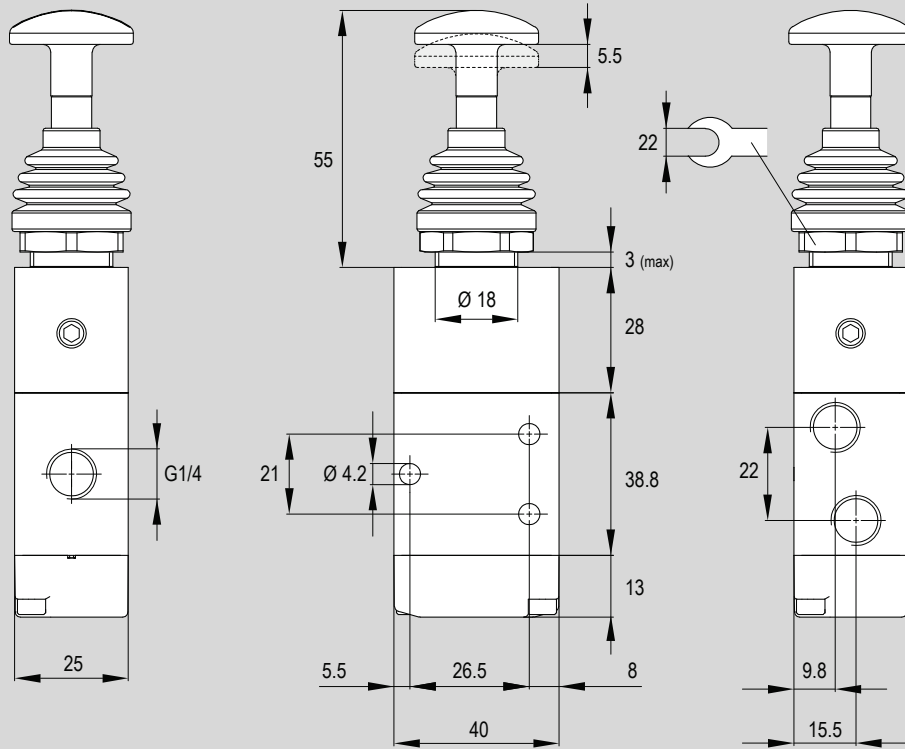
Technical data

Version	3/2 normally closed spring return	3/2 two positions detent	3/2 pilot return
Code	034103	034104	034359
Item	A1MA230TT	A1MA232TT	A1MA232TTP
Size	1/4"		
Orifice	8 mm		
Configuration	Push-pull		
Fluid	Compressed air with or without lubrication. Lubrication, if started, must be continued.		
Pressure range	0 ÷ 10 bar		
Temperature range	-10°C ÷ +80°C (standard)	-25°C ÷ +60°C (BT)	
Flow at 6 bar with ΔP 1 bar	1.100 NI/min.		
Mounting	In every position		

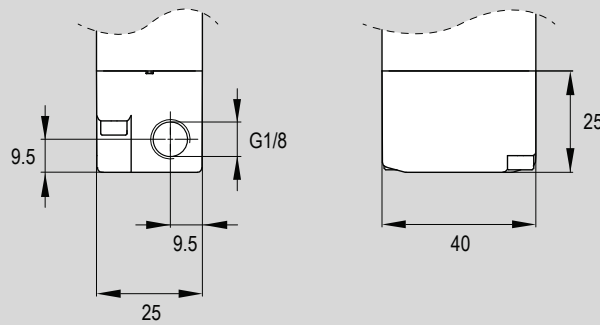
Standard dimensions

2 - VALVES

Type: 3/2 N.C. spring return
3/2 two positions detent



Type: 3/2 pilot return



Version	Symbol	Code	Item
1/4" 3/2 normally closed spring return		034103	A1MA230TT
1/4" 3/2 two positions detent		034104	A1MA232TT
1/4" 3/2 pilot return		034359	A1MA232TTP