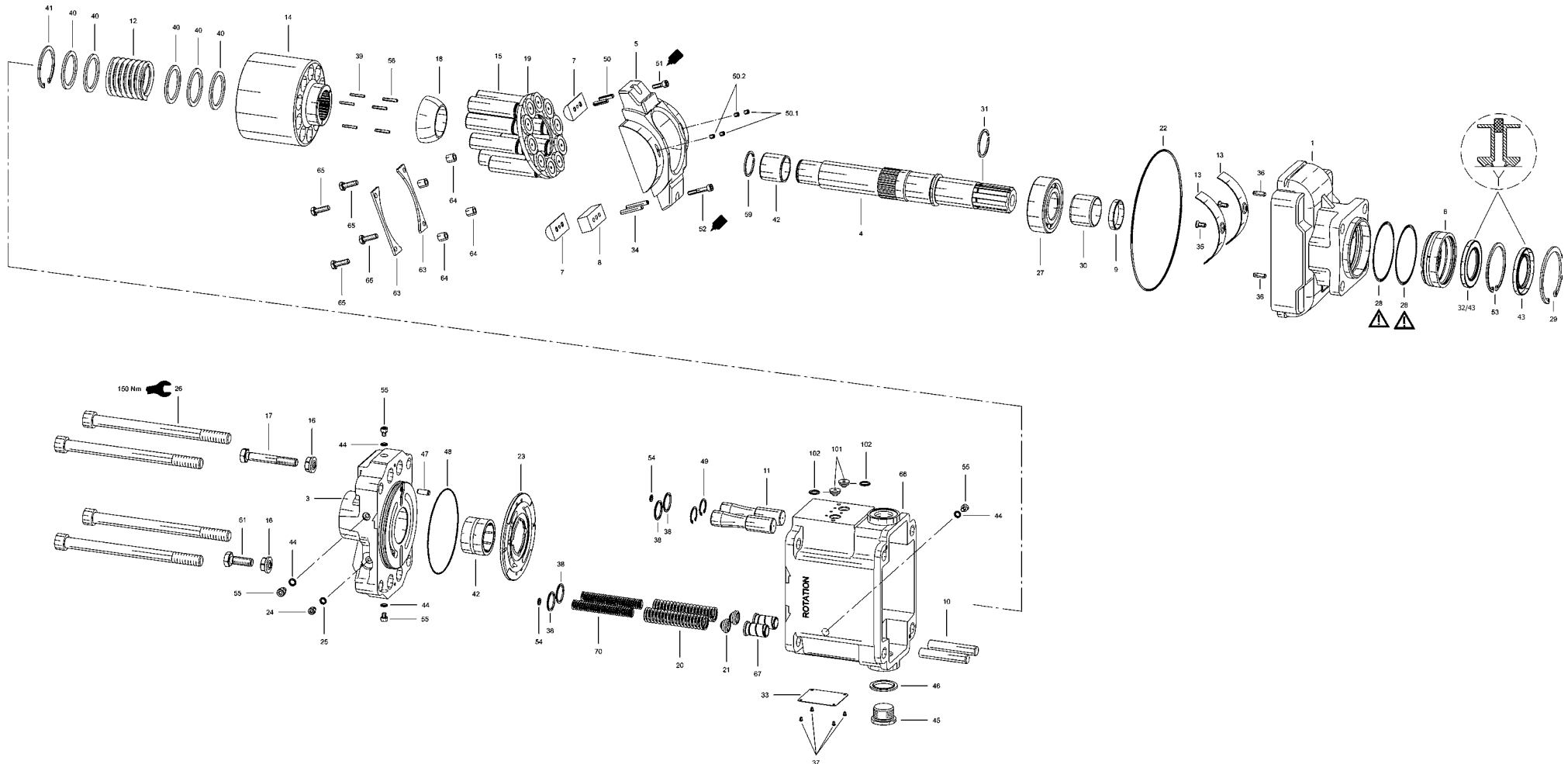




SVH 112 DIN Release No. 03





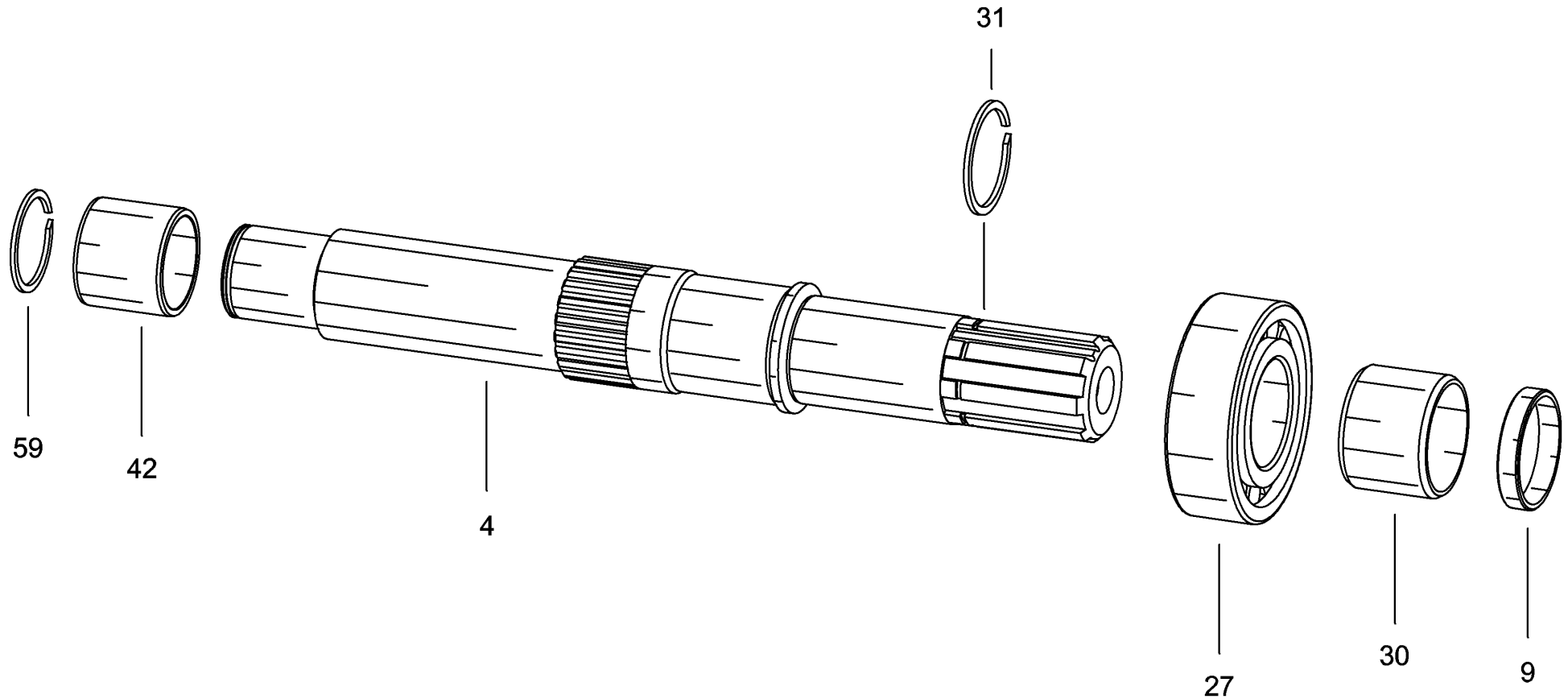
SVH 112 DIN Release No. 03

Item	Part No.	Qty.	Nomenclature	Add. Information
1	7940989.00	1	Front housing SVH-112-03	Coding Y
3	7941013.00	1	End housing (1) SVH-112-03	Ports conforming ISO 228/1 (BSPP)
3	7941333.00	1	End housing UN SVH-112/03	Ports conforming SAE J 514
3	7941332.00	1	End housing max.Hub. SVH-112/03	Ports conforming ISO 228/1 (BSPP)
3	7941334.00	1	End housing UN/max. pres. SVH-112/03	Ports conforming SAE J 514
6	7929011.00	1	Seal bushing	Mount parts 32 and 53 to complete the sleeve!
10	7929757.00	2	Control piston (small) SVH-112	Observe mounting direction: Piston have to be lubed and freely moving - spheroidal ends must face the spring retainers
11	7940349.00	2	Control piston big SVH	Observe installation direction - lube prior to assembly!
13	7942303.00	2	Bearing cup	
16	7992040.00	2	Seal-lock nut M10	Only apparent at end housings with stroke limitation!
17	7994211.00	1	Sechsk.Sch. M10x 70 DIN933-8.8	Only apparent at end housings with stroke limitation!
18	7941267.00	1	Ball SVH-112-03	
20	7929033.00	2	Spring SVH	
21	7929012.00	2	Spring disc SVH	Mounting hint: Fix it via grease to the spring
23	7942130.00	1	Port plate R	At clockwise pump rotation!
23	7942132.00	1	Port plate L	At counter clockwise pump rotation!
24	7993228.00	1	Screw M6x8 DIN 912-8.8	
26	7993230.00	4	Screw M14x190 DIN 912-10.9	Max. torque 150 Nm (crosswise)!
29	7991609.00	1	Retaining ring 72x2,5 DIN 472	
33	7993044.00	1	Type plate	Blank, for spares order a detailed type coding is required
35	7990924.00	2	Screw M 5x 12 DIN 7991-8.8	
36	7992543.00	2	Cylind. pin 5m6x16 DIN 6325	
37	7993589.00	4	Fludet spike 2,6x4 DIN 1476	

Item	Part No.	Qty.	Nomenclature	Add. Information
39	7992093.00	3	Needle roll NRB 3x19,8	
42	7993237.00	1	Needle bearing NA 6906 A	Attention: The inner race of the needle bearing is press-fitted on the shaft! Outer bearing race incl. needles and cage
45	7992051.00	1	Plug screw G 3/4 A DIN 908	
47	7993181.00	1	Roll pin 6x16 DIN7343	
49	7992839.00	2	Retaining ring 21x1 DIN 472	
53	7991036.00	1	Retaining ring 62x2 DIN 472	Observe mounting, see detail „Y“
55	7993229.00	4	Screw M5x6 DIN 912-8.8	
56	7993159.00	3	Needle roll NRB 3,5x19,8	
61	7990781.00	1	Hex.head s. M10x 30 DIN933-8.8	Only apparent at end housings with stroke limitation!
66	7940990.00	1	Middle housing LV SVH-112/03	No coding, Ports conforming ISO 228/1 (BSPP)
66	7941122.00	1	Middle housing LV/UN-Ausf.	Coding UNF, Ports conforming SAE J 514
67	7942072.00	2	Bushing	Pressed into central housing, dropped bushing from May/2012!
70	7940824.00	2	Spring SVH-092/112	Insert in spring item 70
4-59	7941507.00	1	Ass. shaft (1) SVH-112/03	Complete, coding D
4-59	7941510.00	1	Ass. shaft (2) SVH-112/03	Complete, coding D
4-59	7943185.00	1	Ass.shaft DIN (-1) SVH-112/03	Complete, coding M
4-59	7943186.00	1	Ass.shaft DIN (-2) SVH-112/03	Complete, coding M
12-41	7941508.00	1	Ass. Piston barrel SVH-112/03	Complete
5-65	7941509.00	1	Ass. Control head SVH-112/03	Complete
101	7940422.00	2	Plug	
102	7990236.00	2	O- ring (9,25x1,78)012- 8309	with coding NBR
102	7992088.00	2	O- ring (9,25x1,78)012-19457	with coding FPM
22-54	7942034.00	1	Seal kit NBR SVH-112/03	
22-54	7941653.00	1	Seal kit FKM SVH-112/03	



Ass. shaft (1) SVH-112/03



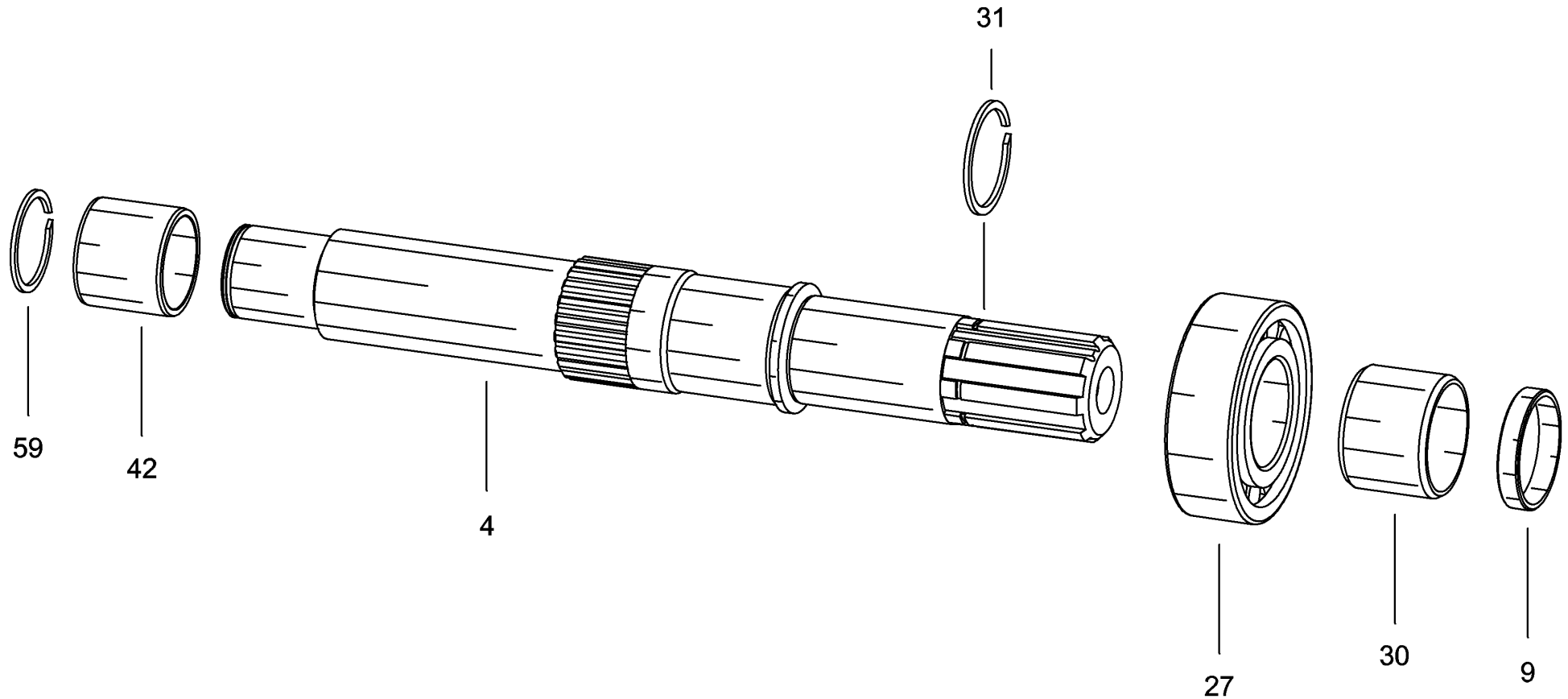


Ass. shaft (1) SVH-112/03

Item	Part No.	Qty.	Nomenclature	Add. Information
4	7943424.00	1	Spline shaft SVH-112/03	Coding D
9	7929083.00	1	Ring SVH	
27	7992806.00	1	Roller bearing NUP 2207 E G15	Attention: The roller bearing is shrunk-fitted on the shaft
30	7993123.00	1	Inner race IR 35x40x30 EGS	Attention: The sleeve is shrunk-fitted on the shaft!
31	7991827.00	1	Snap ring SW 35	
42	7993237.00	1	Needle bearing NA 6906 A	Attention: The inner race of the needle bearing is press-fitted on the shaft! Outer bearing race incl. needles and cage
59	7991822.00	1	Snap ring SW 30	



Ass. shaft (2) SVH-112/03



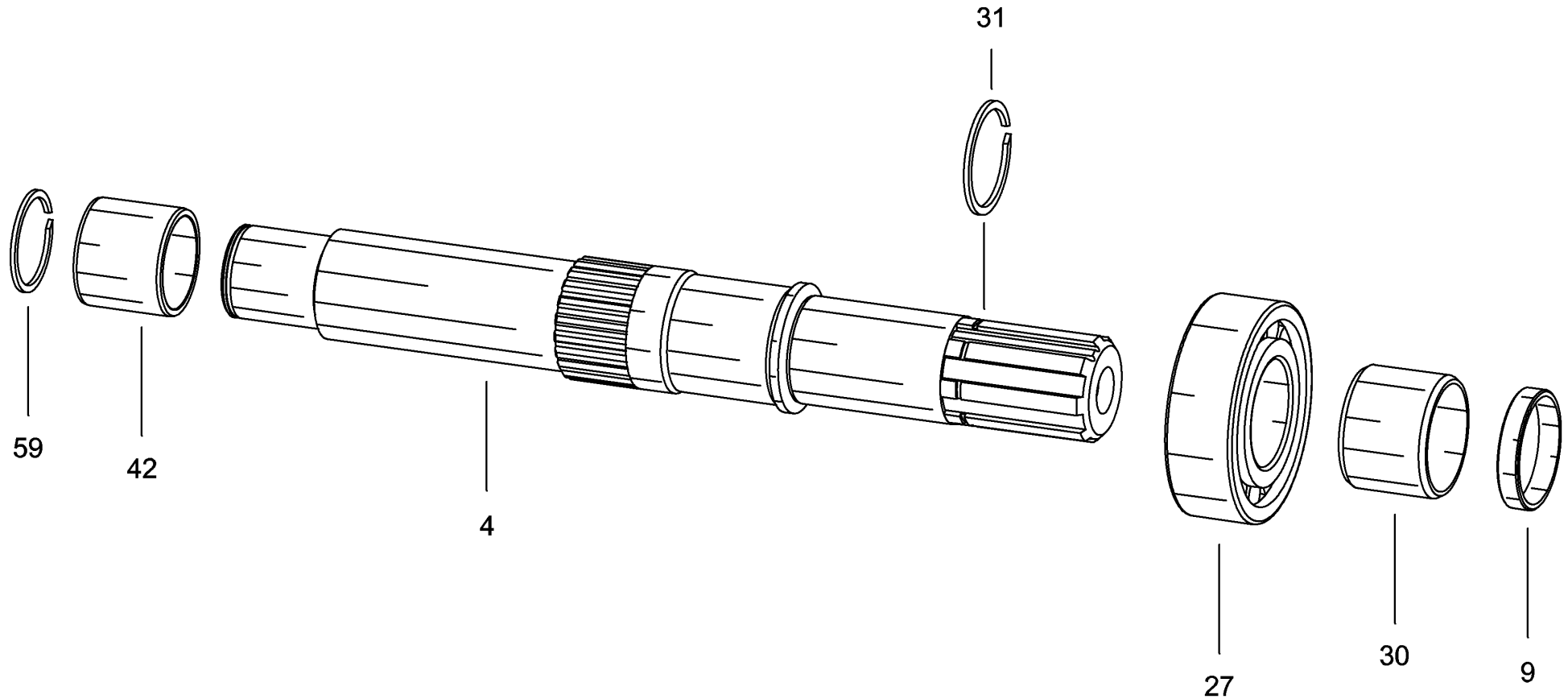


Ass. shaft (2) SVH-112/03

Item	Part No.	Qty.	Nomenclature	Add. Information
4	7941393.00	1	Spline shaft (-2) SVH-112/03	
9	7929083.00	1	Ring SVH	
27	7992806.00	1	Roller bearing NUP 2207 E G15	Attention: The roller bearing is shrunk-fitted on the shaft
30	7993123.00	1	Inner race IR 35x40x30 EGS	Attention: The sleeve is shrunk-fitted on the shaft!
31	7991827.00	1	Snap ring SW 35	
42	7993237.00	1	Needle bearing NA 6906 A	Attention: The inner race of the needle bearing is press-fitted on the shaft! Outer bearing race incl. needles and cage
59	7991822.00	1	Snap ring SW 30	



Ass.shaft DIN (-1) SVH-112/03



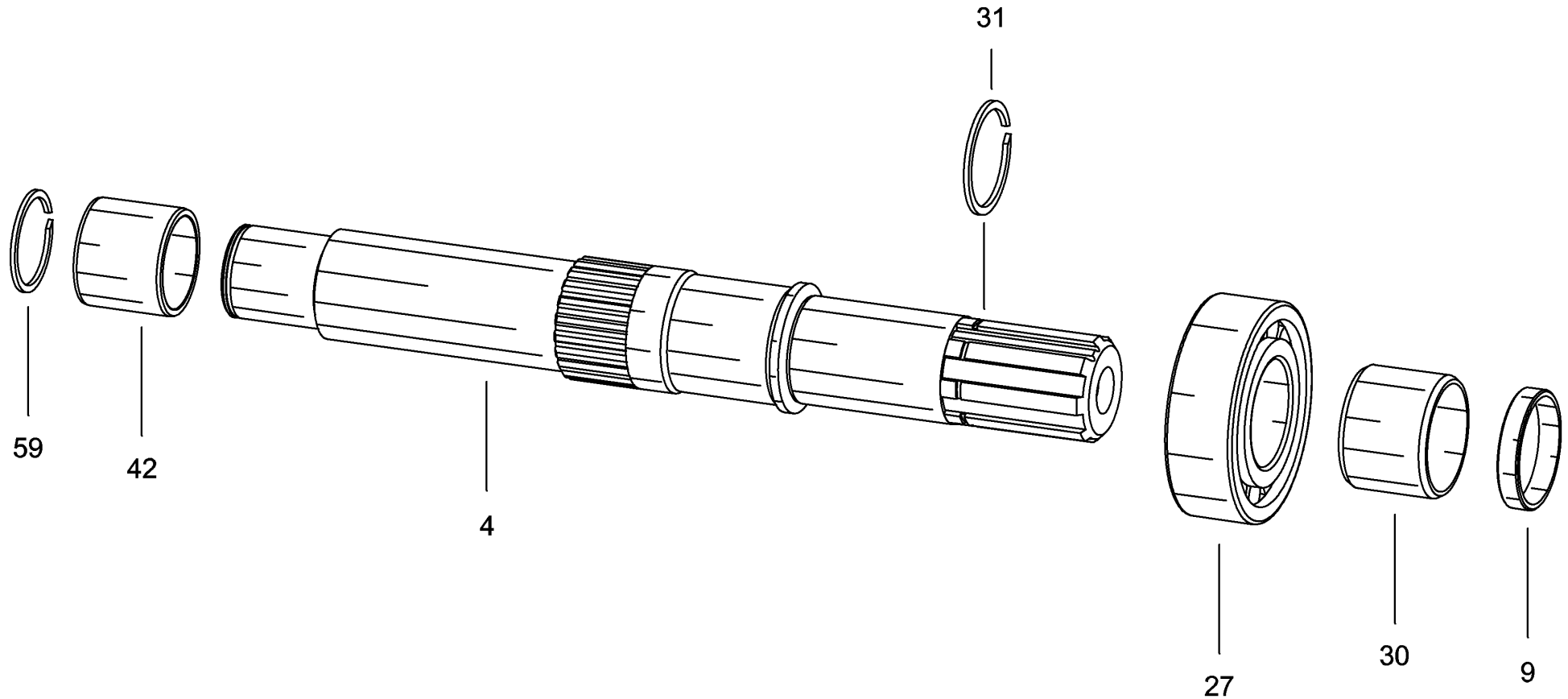


Ass.shaft DIN (-1) SVH-112/03

Item	Part No.	Qty.	Nomenclature	Add. Information
4	7943050.00	1	Spline shaft (-1)	Coding M
9	7929083.00	1	Ring SVH	
27	7992806.00	1	Roller bearing NUP 2207 E G15	Attention: The roller bearing is shrunk-fitted on the shaft
30	7993123.00	1	Inner race IR 35x40x30 EGS	Attention: The sleeve is shrunk-fitted on the shaft!
31	7991827.00	1	Snap ring SW 35	
42	7993237.00	1	Needle bearing NA 6906 A	Attention: The inner race of the needle bearing is press-fitted on the shaft! Outer bearing race incl. needles and cage
59	7991822.00	1	Snap ring SW 30	



Ass.shaft DIN (-2) SVH-112/03



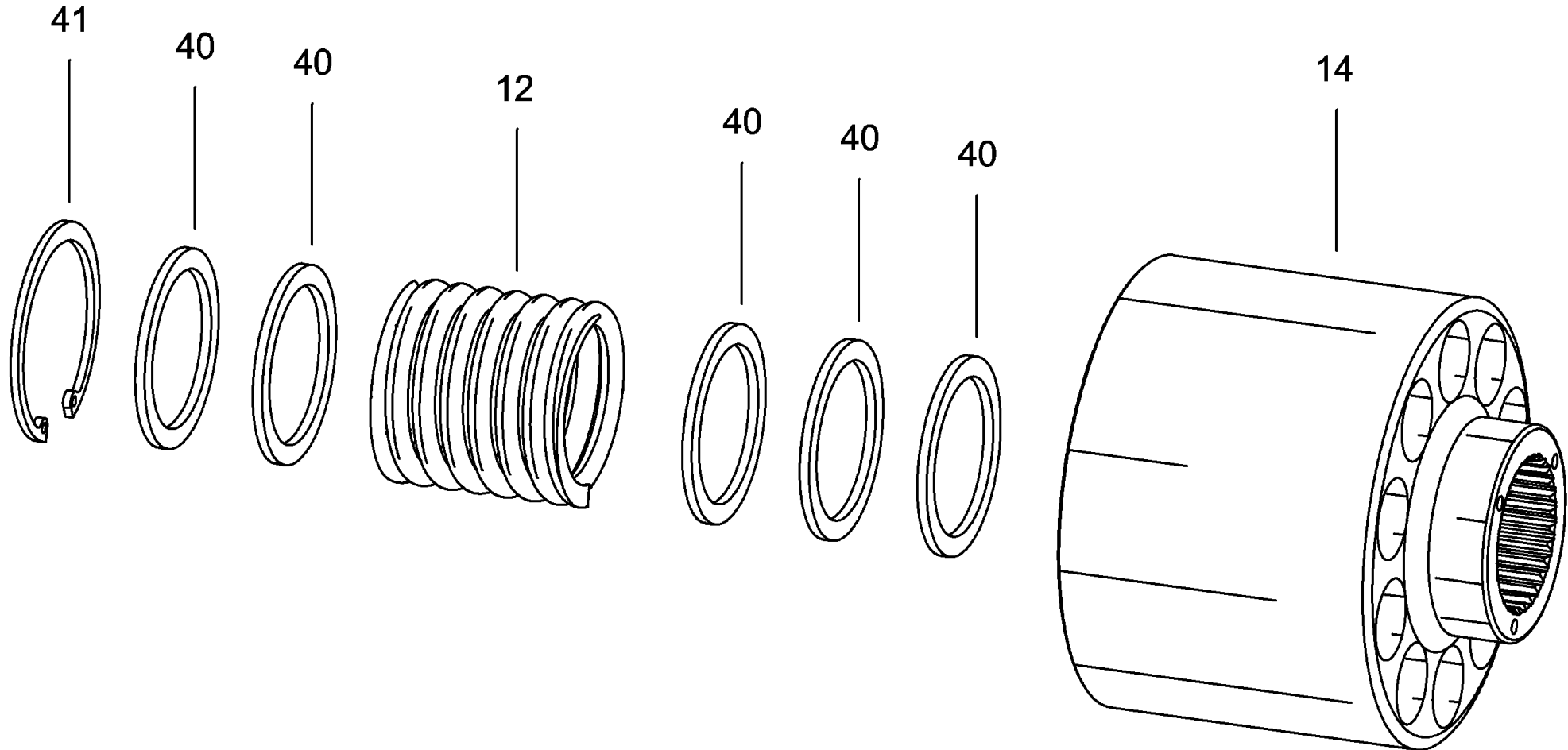


Ass.shaft DIN (-2) SVH-112/03

Item	Part No.	Qty.	Nomenclature	Add. Information
4	7941464.00	1	Spline shaft DIN 5480 S SVH-112/03	Coding M
9	7929083.00	1	Ring SVH	
27	7992806.00	1	Roller bearing NUP 2207 E G15	Attention: The roller bearing is shrunk-fitted on the shaft
30	7993123.00	1	Inner race IR 35x40x30 EGS	Attention: The sleeve is shrunk-fitted on the shaft!
31	7991827.00	1	Snap ring SW 35	
42	7993237.00	1	Needle bearing NA 6906 A	Attention: The inner race of the needle bearing is press-fitted on the shaft! Outer bearing race incl. needles and cage
59	7991822.00	1	Snap ring SW 30	



Ass. Piston barrel SVH-112/03



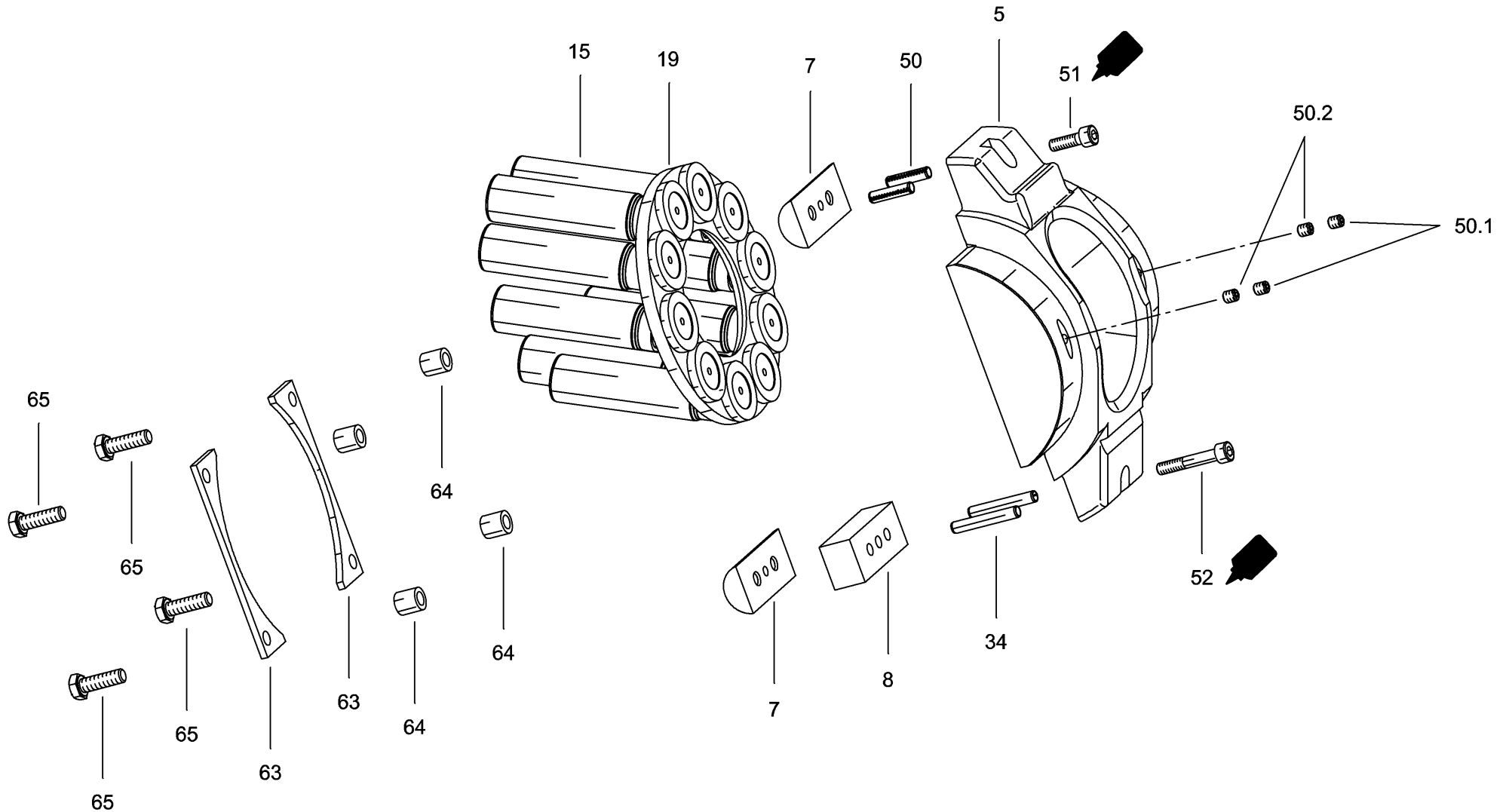


Ass. Piston barrel SVH-112/03

Item	Part No.	Qty.	Nomenclature	Add. Information
12	7929764.00	1	Spring SVH-112	
14	7941091.00	1	Piston barrel SVH-112/03	
40	7990023.00	5	Thrust ring SS 40x50x2,5	
41	7992597.00	1	Retaining ring 52x2 DIN 472	



Ass. Control head SVH-112/03



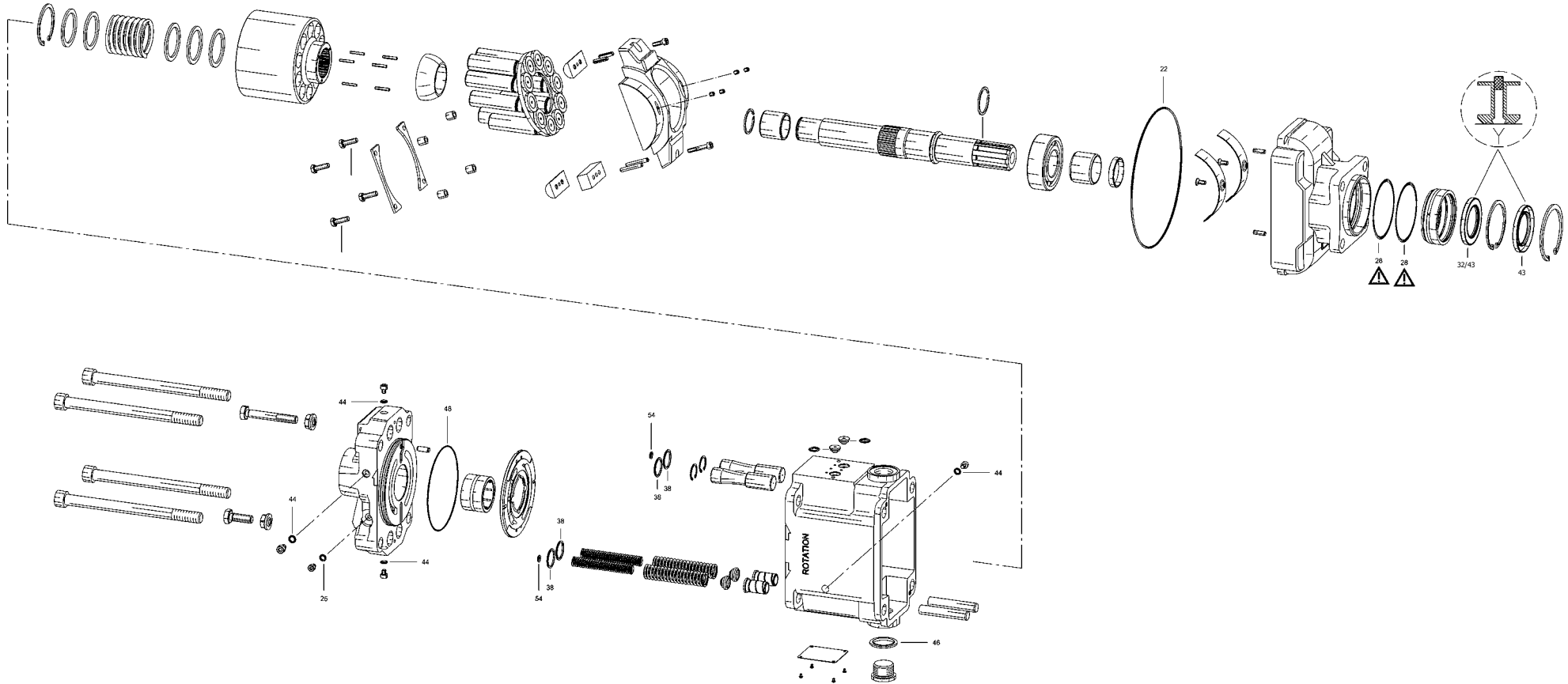


Ass. Control head SVH-112/03

Item	Part No.	Qty.	Nomenclature	Add. Information
5	7943311.00	1	Swash plate	
50.2	7992891.00	2	Throttle 0,8 (M 6x6 DIN 913)	
50.1	7992615.00	2	Throttle 3,0 (M 6x6 DIN 913)	
7	7941295.00	2	Pressure piece SVH	
8	7929013.00	1	Intermediate piece SVH	
15	7929807.00	10	Ass. Piston SVH-062/-092/-112	Lube pistons prior to assembly!
19	7929761.00	1	Return plate SVH-112	
34	7993188.00	2	Spring pin SG 5x32	
50	7992606.00	2	Spring pin SG 5x20	
51	7991873.00	1	Screw M 5x 16 DIN 912	Secured with liquid threadlock!
52	7992182.00	1	Screw M 5x 30 DIN 912	Secured with liquid threadlock!
63	7929766.00	2	Retaining element SVH-112	
64	7929767.00	4	Spacer SVH-112	
65	7994246.00	4	Hex.head s. M 6x 20 DIN933-10.9	



Seal kit NBR (N) SVH-112/03



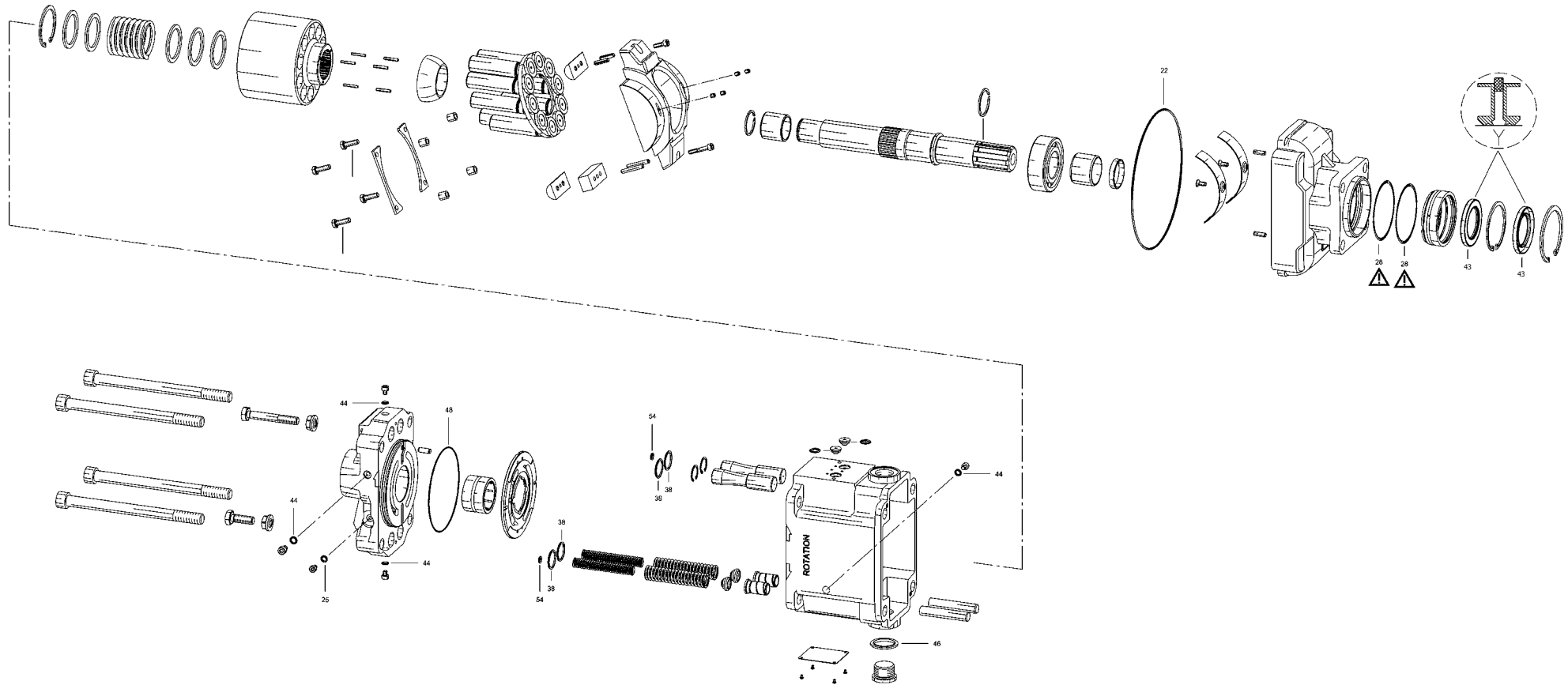


Seal kit NBR (N) SVH-112/03

Item	Part No.	Qty.	Nomenclature	Add. Information
22	7993693.00	1	O-ring 188x2 NBR 70Shore	
25	7991398.00	1	Bonded washer U 6,70x10x1	
28	7992122.00	2	O-ring (72,69x2,62)NBR 70Shore	
32	7991906.00	1	Shaft seal 40x62x6-6,5 N	Observe mounting, see detail „Y“, individually notavailable!
38	7993126.00	4	Kantseal-ring DKAR 00020-N9011	
43	7991988.00	1	Shaft seal 40x62x6-6,5 V	Observe mounting, see detail „Y“, individually notavailable!
44	7991963.00	4	Bonded washer U 5,70x 9x1	
46	7992469.00	1	Bonded washer U 27,20x36x2	
48	7991958.00	1	O- ring (107,62x2,62)156- 8309	
54	7993163.00	2	Kantseal-ring DKAR 00009-N9006	



Seal kit FKM (V) SVH-112/03





Seal kit FKM (V) SVH-112/03

Item	Part No.	Qty.	Nomenclature	Add. Information
22	7993874.00	1	O- Ring 188x2 FKM 70Shore	
25	7993537.00	1	Bonded washer U 6,70x10x1	
28	7993251.00	2	O-ring (72.69x2.62)FKM 70Shore	
38	7994174.00	4	Kantseal 21,95x1,68	
43	7991988.00	2	Shaft seal 40x62x6-6,5 V	Observe mounting, see detail „Y“
44	7993525.00	4	Bonded washer U 5,70x 9x1	
46	7993853.00	1	Bonded washer U 27,20x36x2	
54	7993254.00	2	Kantseal-ring DKAR 00009-V90	