

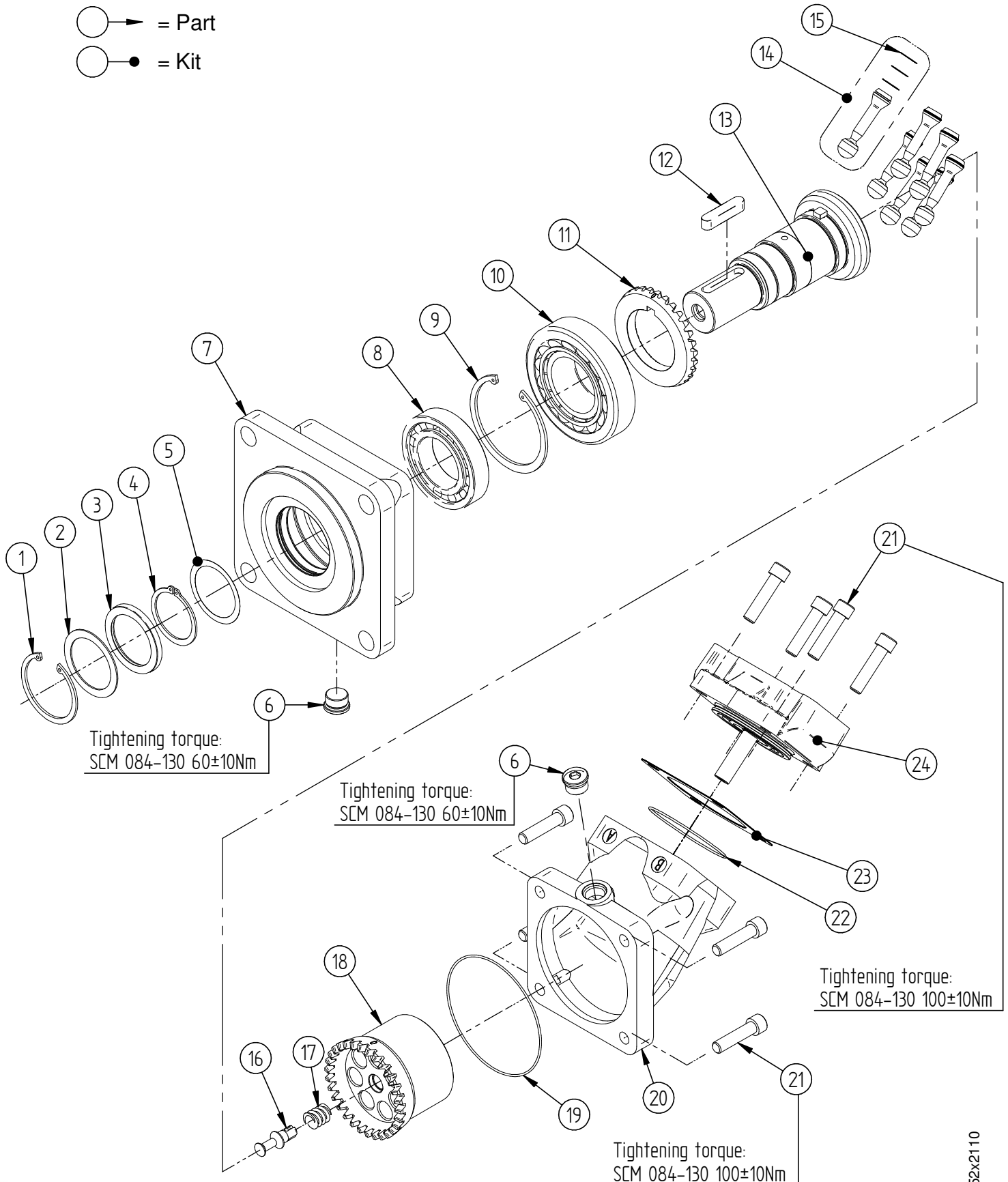


## Contents

Exploded view.....	3
SCM 084 SAE.....	4
SCM 090 SAE.....	5
SCM 108 SAE.....	6
SCM 130 SAE.....	7
SEAL KITS.....	8



○ → = Part  
○ ● = Kit





**SCM 084 SAE D**

Item	Part No.	Title	Type*	Qty.
1	91839	Lock ring		1
2	30026	Washer		1
3	91826	Shaft seal	N - Nitrile	1
3	91771	Shaft seal	H - Nitrile, High pressure	1
3	91827	Shaft seal	V - Viton, High temperature	1
3	92296	Shaft seal	P - FPM, High temp./pressure	1
4	91762	Lock ring		1
5	50615	Shim		1
6	91735	Plug		2
7	30025	Bearing housing	SD4 - SAE D 4-Hole	1
8	91763	Roller bearing		1
9	91764	Lock ring		1
10	91765	Tapered roller bearing		1
11	20047	Gear ring	Straight gears	1
12	91761	Key		1
13	50454	Shaft	D13 - Spline 13T 8/16	1
13	50455	Shaft	D44 - Key Ø44,45mm	1
14	50283	Piston		7
15	20034	Piston rings		21
16	21047	Spring pin		1
17	92060	Spring		1
18	21040	Cylinder barrel	Straight gears	1
19	91766	O-ring		1
20	30024	Angular housing		1
21	91376	Bolt		8
22	91681	O-ring		1
23	20060	Shim		1
24	30015	Connection Cover	S1U	1
24	30572	Connection Cover	V1U	1
24	30582	Connection Cover	V2U	1
24	30592	Connection Cover	R1U	1
24	30242	Connection Cover	S1M	1
24	30337	Connection Cover	V1M	1
24	30359	Connection Cover	V2M	1
24	30332	Connection Cover	R1M	1

\*For different types, see datasheet at <http://www.sunfab.com> or contact Sunfab



**SCM 090 SAE D**

Item	Part No.	Title	Type*	Qty.
1	91839	Lock ring		1
2	30026	Washer		1
3	91826	Shaft seal	N - Nitrile	1
3	91771	Shaft seal	H - Nitrile, High pressure	1
3	91827	Shaft seal	V - Viton, High temperature	1
3	92296	Shaft seal	P - FPM, High temp./pressure	1
4	91762	Lock ring		1
5	50615	Shim		1
6	91735	Plug		2
7	30025	Bearing housing	SD4 - SAE D 4-Hole	1
8	91763	Roller bearing		1
9	91764	Lock ring		1
10	91765	Tapered roller bearing		1
11	20047	Gear ring	Straight gears	1
12	91761	Key		1
13	50454	Shaft	D13 - Spline 13T 8/16	1
13	50455	Shaft	D44 - Key Ø44,45mm	1
14	50636	Piston		7
15	30095	Piston rings		21
16	21047	Spring pin		1
17	92060	Spring		1
18	21041	Cylinder barrel	Straight gears	1
19	91766	O-ring		1
20	30024	Angular housing		1
21	91376	Bolt		8
22	91681	O-ring		1
23	20060	Shim		1
24	30155	Connection Cover	S1U	1
24	30573	Connection Cover	V1U	1
24	30583	Connection Cover	V2U	1
24	30593	Connection Cover	R1U	1
24	30449	Connection Cover	S1M	1
24	30447	Connection Cover	V1M	1
24	30402	Connection Cover	V2M	1
24	30457	Connection Cover	R1M	1

\*For different types, see datasheet at <http://www.sunfab.com> or contact Sunfab



**SCM 108 SAE D**

Item	Part No.	Title	Type*	Qty.
1	91839	Lock ring		1
2	30026	Washer		1
3	91826	Shaft seal	N - Nitrile	1
3	91771	Shaft seal	H - Nitrile, High pressure	1
3	91827	Shaft seal	V - Viton, High temperature	1
3	92296	Shaft seal	P - FPM, High temp./pressure	1
4	91762	Lock ring		1
5	50615	Shim		1
6	91735	Plug		2
7	30025	Bearing housing	SD4 - SAE D 4-Hole	1
8	91763	Roller bearing		1
9	91764	Lock ring		1
10	91765	Tapered roller bearing		1
11	20047	Gear ring	Straight gears	1
12	91761	Key		1
13	50454	Shaft	D13 - Spline 13T 8/16	1
13	50455	Shaft	D44 - Key Ø44,45mm	1
14	50284	Piston		7
15	20035	Piston rings		21
16	21047	Spring pin		1
17	92060	Spring		1
18	21042	Cylinder barrel	Straight gears	1
19	91766	O-ring		1
20	30024	Angular housing		1
21	91376	Bolt		8
22	91681	O-ring		1
23	20060	Shim		1
24	30014	Connection Cover	S1U	1
24	30574	Connection Cover	V1U	1
24	30584	Connection Cover	V2U	1
24	30594	Connection Cover	R1U	1
24	30244	Connection Cover	S1M	1
24	30339	Connection Cover	V1M	1
24	30413	Connection Cover	V2M	1
24	30334	Connection Cover	R1M	1

\*For different types, see datasheet at <http://www.sunfab.com> or contact Sunfab



**SCM 130 SAE D**

Item	Part No.	Title	Type*	Qty.
1	91839	Lock ring		1
2	30026	Washer		1
3	91826	Shaft seal	N - Nitrile	1
3	91771	Shaft seal	H - Nitrile, High pressure	1
3	91827	Shaft seal	V - Viton, High temperature	1
3	92296	Shaft seal	P - FPM, High temp./pressure	1
4	91762	Lock ring		1
5	50615	Shim		1
6	91735	Plug		2
7	30025	Bearing housing	SD4 - SAE D 4-Hole	1
8	91763	Roller bearing		1
9	91764	Lock ring		1
10	91765	Tapered roller bearing		1
11	20047	Gear ring	Straight gears	1
12	91761	Key		1
13	50454	Shaft	D13 - Spline 13T 8/16	1
13	50455	Shaft	D44 - Key Ø44,45mm	1
14	50342	Piston		7
15	20164	Piston rings		21
16	21047	Spring pin		1
17	92060	Spring		1
18	21043	Cylinder barrel	Straight gears	1
19	91766	O-ring		1
20	30024	Angular housing		1
21	91376	Bolt		8
22	91681	O-ring		1
23	20060	Shim		1
24	30080	Connection Cover	S1U	1
24	30575	Connection Cover	V1U	1
24	30585	Connection Cover	V2U	1
24	30595	Connection Cover	R1U	1
24	30341	Connection Cover	S1M	1
24	30123	Connection Cover	V1M	1
24	30462	Connection Cover	V2M	1
24	30106	Connection Cover	R1M	1

\*For different types, see datasheet at <http://www.sunfab.com> or contact Sunfab



**SCM 084-130 SAE D Seal Kits**

Part No.	Includes Items	Title	Type*
50899	1, 2, 3	Shaft seal kit	N - Nitrile
50900	1, 2, 3	Shaft seal kit	H - Nitrile, High pressure
50901	1, 2, 3	Shaft seal kit	V - Viton, High temperature
50994	1, 2, 3	Shaft seal kit	P - FPM, High temp./pressure
50445	1, 2, 3, 19, 22, 23	Seal kit	N - Nitrile
50446	1, 2, 3, 19, 22, 23	Seal kit	H - Nitrile, High pressure
50447	1, 2, 3, 19, 22, 23	Seal kit	V - Viton, High temperature
50995	1, 2, 3, 19, 22, 23	Seal kit	P - FPM, High temp./pressure

\*For different types, see datacheet at <http://www.sunfab.com> or contact Sunfab