





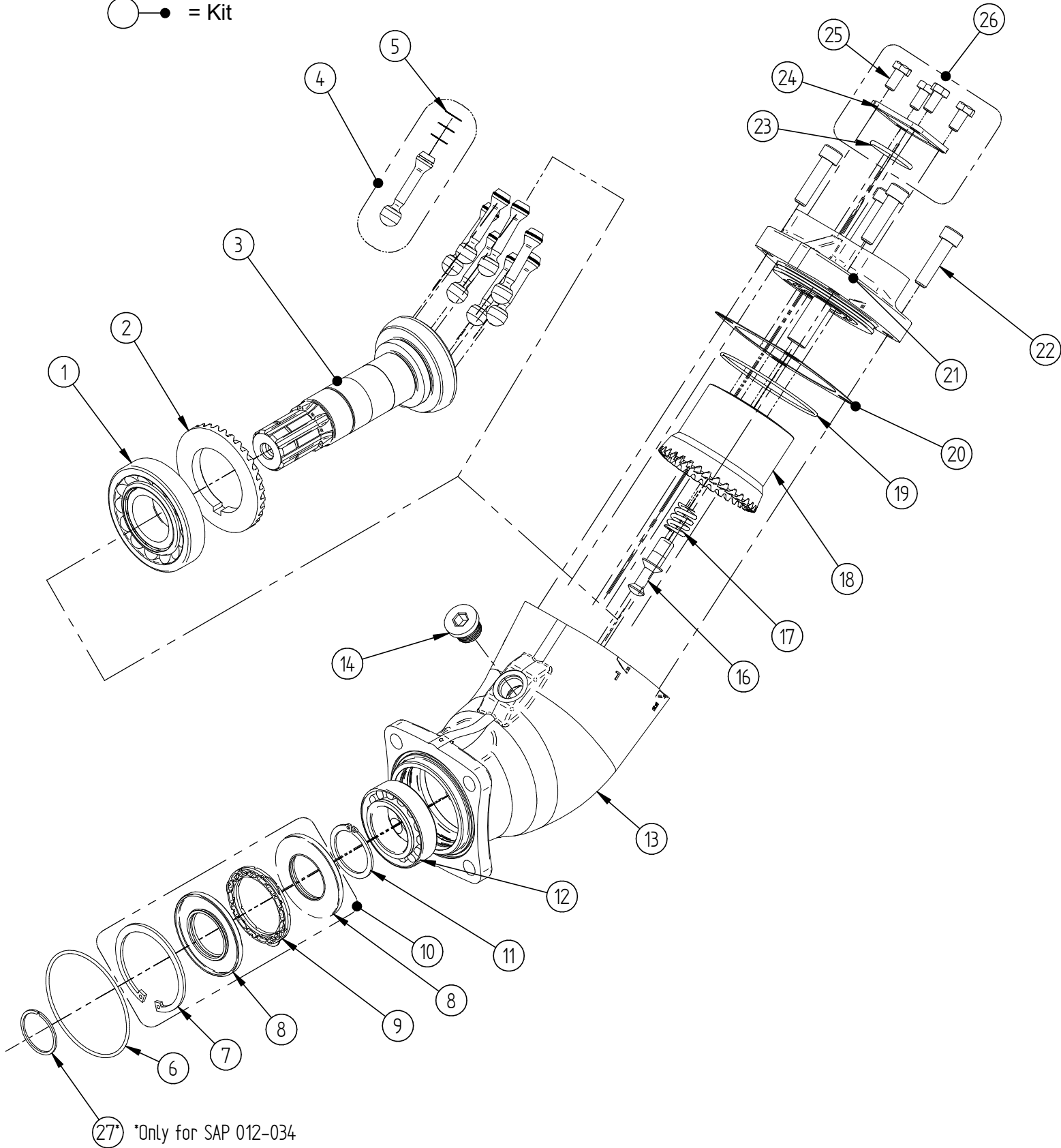
## Contents

Exploded view.....	3
SAP 012 (Standard, Optimised).....	4
SAP 017 (Standard, Optimised).....	5
SAP 025 (Standard, Optimised).....	6
SAP 034 (Standard, Optimised).....	7
SAP 040 (Standard, Optimised).....	8
SAP 047 (Standard, Optimised).....	9
SAP 056 (Standard, Optimised).....	10
SAP 064 (Standard, Optimised).....	11
SAP 084 (Standard, Optimised & Optimised for injector) .....	12
SAP 108 (Standard, Optimised & Optimised for injector) .....	13



○ → = Part

○ ● = Kit





**SAP 012**

Item	Part No.	Title	Type*	Qty.
1	91666	Tapered roller bearing		1
2	20086	Gear ring		1
3	20833	Shaft	L35	1
3	22053	Shaft	H35	1
4	50279	Piston (with piston rings)		5
5	20096	Piston rings		15
6	91441	O-ring		1
7	92101	Lock ring		1
8	92112	Shaft seal		2
9	21000	Sealing support		1
10	50667	Shaft seal kit		-
11	90780	Lock ring		1
12	91938	Tapered roller bearing		1
13	20758	Pump housing	DL4-DIN 4-hole	1
14	91109	Plug		1
16	21098	Spring pin		1
17	92078	Spring		1
18	21033	Cylinder block		1
19	92174	O-ring		1
20	22051	Shim		1
21	20781	Connection Cover	S0S-0	1
21	23451	Connection Cover (Left)	S0S-2	1
21	23452	Connection Cover (Right)	S0S-2	1
22	91617	Bolt		4
23	91754	O-ring		1
24	20890	Clamping plate		2
25	90341	Bolt		4
26	50339	Clamping plate kit		-
27	91559	Lock ring		1
-	50935	Seal Kit Includes Items 6, 7, 8, 9, 14, 19, 20, 23		-

\*For different types, see datasheet at <http://www.sunfab.com> or contact Sunfab



**SAP 017**

Item	Part No.	Title	Type*	Qty.
1	91666	Tapered roller bearing		1
2	20086	Gear ring		1
3	20833	Shaft	L35	1
3	22053	Shaft	H35	1
4	50280	Piston (with piston rings)		5
5	20095	Piston rings		15
6	91441	O-ring		1
7	92101	Lock ring		1
8	92112	Shaft seal		2
9	21000	Sealing support		1
10	50667	Shaft seal kit		-
11	90780	Lock ring		1
12	91938	Tapered roller bearing		1
13	20758	Pump housing	DL4-DIN 4-hole	1
14	91109	Plug		1
16	21098	Spring pin		1
17	92078	Spring		1
18	21034	Cylinder block		1
19	92174	O-ring		1
20	22051	Shim		1
21	20783	Connection Cover	S0S-0	1
21	23416	Connection Cover (Left)	S0S-2	1
21	23417	Connection Cover (Right)	S0S-2	1
22	91617	Bolt		4
23	91754	O-ring		1
24	20890	Clamping plate		2
25	90341	Bolt		4
26	50339	Clamping plate kit		-
27	91559	Lock ring		1
-	50935	Seal Kit Includes Items 6, 7, 8, 9, 14, 19, 20, 23		-

\*For different types, see datasheet at <http://www.sunfab.com> or contact Sunfab



**SAP 025**

Item	Part No.	Title	Type*	Qty.
1	91666	Tapered roller bearing		1
2	20086	Gear ring		1
3	20834	Shaft	L35	1
3	22055	Shaft	H35	1
4	50279	Piston (with piston rings)		7
5	20096	Piston rings		21
6	91441	O-ring		1
7	92101	Lock ring		1
8	92112	Shaft seal		2
9	21000	Sealing support		1
10	50667	Shaft seal kit		-
11	90780	Lock ring		1
12	91938	Tapered roller bearing		1
13	20758	Pump housing	DL4-DIN 4-hole	1
14	91109	Plug		1
16	21048	Spring pin		1
17	92060	Spring		1
18	21035	Cylinder block		1
19	92174	O-ring		1
20	22051	Shim		1
21	20785	Connection Cover	S0S-0	1
21	23453	Connection Cover (Left)	S0S-2	1
21	23454	Connection Cover (Right)	S0S-2	1
22	91617	Bolt		4
23	91754	O-ring		1
24	20890	Clamping plate		2
25	90341	Bolt		4
26	50339	Clamping plate kit		-
27	91559	Lock ring		1
-	50935	Seal Kit Includes Items 6, 7, 8, 9, 14, 19, 20, 23		-

\*For different types, see datasheet at <http://www.sunfab.com> or contact Sunfab



**SAP 034**

Item	Part No.	Title	Type*	Qty.
1	91666	Tapered roller bearing		1
2	20086	Gear ring		1
3	20834	Shaft	L35	1
3	22055	Shaft	H35	1
4	50280	Piston (with piston rings)		7
5	20095	Piston rings		21
6	91441	O-ring		1
7	92101	Lock ring		1
8	92112	Shaft seal		2
9	21000	Sealing support		1
10	50667	Shaft seal kit		-
11	90780	Lock ring		1
12	91938	Tapered roller bearing		1
13	20758	Pump housing	DL4-DIN 4-hole	1
14	91109	Plug		1
16	21048	Spring pin		1
17	92060	Spring		1
18	21036	Cylinder block		1
19	92174	O-ring		1
20	22051	Shim		1
21	20787	Connection Cover	S0S-0	1
21	23455	Connection Cover (Left)	S0S-2	1
21	23456	Connection Cover (Right)	S0S-2	1
22	91617	Bolt		4
23	91754	O-ring		1
24	20890	Clamping plate		2
25	90341	Bolt		4
26	50339	Clamping plate kit		-
27	91559	Lock ring		1
-	50935	Seal Kit Includes Items 6, 7, 8, 9, 14, 19, 20, 23		-

\*For different types, see datasheet at <http://www.sunfab.com> or contact Sunfab





**SAP 040**

Item	Part No.	Title	Type*	Qty.
1	91603	Tapered roller bearing		1
2	20046	Gear ring	Straight gears**	1
3	50677	Shaft	L35	1
3	22064	Shaft	H35	1
4	50275	Piston (with piston rings)		7
5	20095	Piston rings		21
6	91441	O-ring		1
7	92082	Lock ring		1
8	92100	Shaft seal	HNBR****	2
9	21001	Sealing support		1
10	50666	Shaft seal kit	HNBR****	-
11	92052	Lock ring		1
12	92037	Tapered roller bearing		1
13	20681	Pump housing	DL4-DIN 4-hole	1
14	91109	Plug		1
16	21048	Spring pin		1
17	92060	Spring		1
18	21094	Cylinder block	Straight gears**	1
19	91681	O-ring		1
20	20599	Shim		1
21	20788	Connection Cover	S0S-0	1
21	23457	Connection Cover (Left)	S0S-2	1
21	23458	Connection Cover (Right)	S0S-2	1
22	91617	Bolt		4
23	91754	O-ring		1
24	20890	Clamping plate		2
25	90341	Bolt		4
26	50339	Clamping plate kit		-
-	50906	Seal Kit Includes Items 6, 7, 8, 9, 14, 19, 20, 23	HNBR****	-

\*For different types, see datasheet at <http://www.sunfab.com> or contact Sunfab

\*\* NOTE: If the pump has helical gears, both item 2 & 18 need to be replaced by parts with straight gears

\*\*\*\* Shaft seal supplied in HNBR, replaces standard Nitrile





**SAP 047**

Item	Part No.	Title	Type*	Qty.
1	91603	Tapered roller bearing		1
2	20335	Gear ring	Helical gears	1
2	20046	Gear ring	Straight gears	1
3	50677	Shaft	L35	1
3	22064	Shaft	H35	1
4	50281	Piston (with piston rings)		7
5	20032	Piston rings		21
6	91441	O-ring		1
7	92082	Lock ring		1
8	92100	Shaft seal	HNBR****	2
9	21001	Sealing support		1
10	50666	Shaft seal kit	HNBR****	-
11	92052	Lock ring		1
12	92037	Tapered roller bearing		1
13	20681	Pump housing	DL4-DIN 4-hole	1
14	91109	Plug		1
16	21048	Spring pin		1
17	92060	Spring		1
18	21037	Cylinder block	Helical gears	1
18	21095	Cylinder block	Straight gears	1
19	91681	O-ring		1
20	20599	Shim		1
21	20789	Connection Cover	S0S-0	1
21	23459	Connection Cover (Left)	S0S-2	1
21	23460	Connection Cover (Right)	S0S-2	1
22	91617	Bolt		4
23	91754	O-ring		1
24	20890	Clamping plate		2
25	90341	Bolt		4
26	50339	Clamping plate kit		-
-	50906	Seal Kit Includes Items 6, 7, 8, 9, 14, 19, 20, 23	HNBR****	-

\*For different types, see datasheet at <http://www.sunfab.com> or contact Sunfab

\*\*\*\* Shaft seal supplied in HNBR, replaces standard Nitrile



**SAP 056**

Item	Part No.	Title	Type*	Qty.
1	91603	Tapered roller bearing		1
2	20046	Gear ring	Straight gears**	1
3	50677	Shaft	L35	1
3	22064	Shaft	H35	1
4	50289	Piston (with piston rings)		7
5	20402	Piston rings		21
6	91441	O-ring		1
7	92082	Lock ring		1
8	92100	Shaft seal	HNBR****	2
9	21001	Sealing support		1
10	50666	Shaft seal kit	HNBR****	-
11	92052	Lock ring		1
12	92037	Tapered roller bearing		1
13	20681	Pump housing	DL4-DIN 4-hole	1
14	91109	Plug		1
16	21048	Spring pin		1
17	92060	Spring		1
18	21096	Cylinder block	Straight gears**	1
19	91681	O-ring		1
20	20599	Shim		1
21	20790	Connection Cover	S0S-0	1
21	23461	Connection Cover (Left)	S0S-2	1
21	23462	Connection Cover (Right)	S0S-2	1
22	91617	Bolt		4
23	91754	O-ring		1
24	20890	Clamping plate		2
25	90341	Bolt		4
26	50339	Clamping plate kit		-
-	50906	Seal Kit Includes Items 6, 7, 8, 9, 14, 19, 20, 23	HNBR****	-

\*For different types, see datasheet at <http://www.sunfab.com> or contact Sunfab

\*\* NOTE: If the pump has helical gears, both item 2 & 18 need to be replaced by parts with straight gears

\*\*\*\* Shaft seal supplied in HNBR, replaces standard Nitrile



**SAP 064**

Item	Part No.	Title	Type*	Qty.
1	91603	Tapered roller bearing		1
2	20046	Gear ring	Straight gears**	1
3	50677	Shaft	L35	1
3	22064	Shaft	H35	1
4	50282	Piston (with piston rings)		7
5	20033	Piston rings		21
6	91441	O-ring		1
7	92082	Lock ring		1
8	92100	Shaft seal	HNBR****	2
9	21001	Sealing support		1
10	50666	Shaft seal kit	HNBR****	-
11	92052	Lock ring		1
12	92037	Tapered roller bearing		1
13	20681	Pump housing	DL4-DIN 4-hole	1
14	91109	Plug		1
16	21048	Spring pin		1
17	92060	Spring		1
18	21097	Cylinder block	Straight gears**	1
19	91681	O-ring		1
20	20599	Shim		1
21	20791	Connection Cover	S0S-0	1
21	20987	Connection Cover (Left)	S0S-2	1
21	20986	Connection Cover (Right)	S0S-2	1
22	91617	Bolt		4
23	91754	O-ring		1
24	20890	Clamping plate		2
25	90341	Bolt		4
26	50339	Clamping plate kit		-
-	50906	Seal Kit Includes Items 6, 7, 8, 9, 14, 19, 20, 23	HNBR****	-

\*For different types, see datasheet at <http://www.sunfab.com> or contact Sunfab

\*\* NOTE: If the pump has helical gears both, item 2 & 18 need to be replaced by parts with straight gears

\*\*\*\* Shaft seal supplied in HNBR, replaces standard Nitrile



**SAP 084**

Item	Part No.	Title	Type*	Qty.
1	91604	Tapered roller bearing		1
2	20047	Gear ring		1
3	20832	Shaft	L35	1
3	22057	Shaft	H35	1
4	50283	Piston (with piston rings)		7
5	20034	Piston rings		21
6	91441	O-ring		1
7	92082	Lock ring		1
8	92100	Shaft seal	HNBR****	2
9	21001	Sealing support		1
10	50666	Shaft seal kit	HNBR****	-
11	92052	Lock ring		1
12	92037	Tapered roller bearing		1
13	20756	Pump housing	DL4-DIN 4-hole	1
14	91109	Plug		1
16	21048	Spring pin		1
17	92060	Spring		1
18	20829	Cylinder block		1
19	92158	O-ring		1
20	22046	Shim		1
21	20765	Connection Cover	S0S-0	1
21	20813	Connection Cover (Left)	S0S-2**	1
21	20814	Connection Cover (Right)	S0S-2**	1
21	20815	Connection Cover (Left)	S0S-3***	1
21	20816	Connection Cover (Right)	S0S-3***	1
22	92128	Bolt		4
23	90519	O-ring		1
24	20891	Clamping plate		2
25	90341	Bolt		4
26	50225	Clamping plate kit		-
-	50934	Seal Kit Includes Items 6, 7, 8, 9, 14, 19, 20, 23	HNBR****	-

\* For different types, see datasheet at <http://www.sunfab.com> or contact Sunfab

\*\* Optimised

\*\*\* Optimised for injector

\*\*\*\* Shaft seal supplied in HNBR, replaces standard Nitrile



**SAP 108**

Item	Part No.	Title	Type*	Qty.
1	91604	Tapered roller bearing		1
2	20047	Gear ring		1
3	20832	Shaft	L35	1
3	22057	Shaft	H35	1
4	50284	Piston (with piston rings)		7
5	20035	Piston rings		21
6	91441	O-ring		1
7	92082	Lock ring		1
8	92100	Shaft seal	HNBR****	2
9	21001	Sealing support		1
10	50666	Shaft seal kit	HNBR****	-
11	92052	Lock ring		1
12	92037	Tapered roller bearing		1
13	20756	Pump housing	DL4-DIN 4-hole	1
14	91109	Plug		1
16	21048	Spring pin		1
17	92060	Spring		1
18	20797	Cylinder block		1
19	92158	O-ring		1
20	22046	Shim		1
21	20771	Connection Cover	S0S-0	1
21	20817	Connection Cover (Left)	S0S-2**	1
21	20818	Connection Cover (Right)	S0S-2**	1
21	20819	Connection Cover (Left)	S0S-3***	1
21	20820	Connection Cover (Right)	S0S-3***	1
22	92128	Bolt		4
23	90519	O-ring		1
24	20891	Clamping plate		2
25	90341	Bolt		4
26	50225	Clamping plate kit		-
-	50934	Seal Kit Includes Items 6, 7, 8, 9, 14, 19, 20, 23	HNBR****	-

\* For different types, see datasheet at <http://www.sunfab.com> or contact Sunfab

\*\* Optimised

\*\*\* Optimised for injector

\*\*\*\* Shaft seal supplied in HNBR, replaces standard Nitrile