



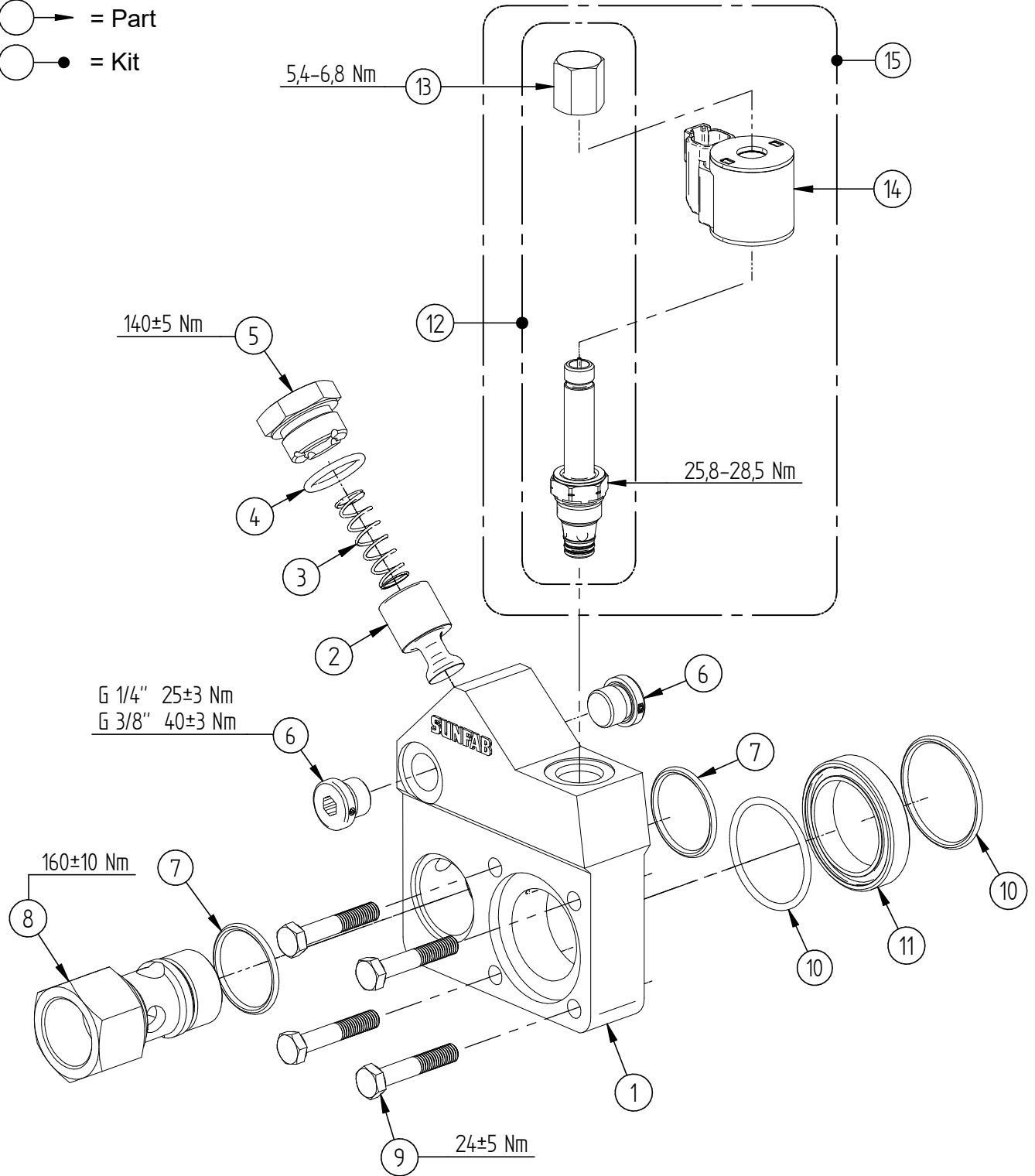
| | |
|----------------------|----------|
| Valid from Serial No | |
| SBP-1 | HF100001 |
| SBP-2 | HF200001 |





| | |
|----------------------|----------|
| Valid from Serial No | |
| SBP-1 | HF100001 |
| SBP-2 | HF200001 |

○ → = Part
○ ● = Kit





| | |
|----------------------|----------|
| Valid from Serial No | |
| SBP-1 | HF100001 |
| SBP-2 | HF200001 |

SBP

| Item | Part No. | Title | SBP-1 | SBP-2 |
|------|----------|--|-------|-------|
| | | | Qty. | Qty. |
| 1 | | Valve housing SBP-1 | 1 | |
| 1 | | Valve housing SBP-2 | | 1 |
| 2 | | Logic element | 1 | 1 |
| 3 | | Spring | 1 | 1 |
| 4 | 92200 | O-ring | 1 | 1 |
| 5 | | Plug | 1 | 1 |
| 6 | 91167 | Plug G1/4" | 2 | |
| 6 | 91679 | Plug G3/8" | | 2 |
| 7 | 91676 | O-ring | 2 | |
| 7 | 91675 | O-ring | | 2 |
| 8 | 20015 | Banjo bolt | 1 | |
| 8 | 20016 | Banjo bolt | | 1 |
| 9 | 90322 | Screw | 4 | 4 |
| 10 | 91754 | O-ring | 2 | |
| 10 | 90519 | O-ring | | 2 |
| 11 | 20017 | Spacer | 1 | |
| 11 | 20018 | Spacer | | 1 |
| 12 | 91185 | Pilot valve (Item 13 included) | 1 | 1 |
| 13 | 91189 | Protection cap | 1 | 1 |
| 14 | 91186 | Coil 12 VDC | 1 | 1 |
| 14 | 91187 | Coil 28 VDC | 1 | 1 |
| 15 | 51021 | Pilot valve Kit 12 VDC Includes items: 12, 14 | 1 | 1 |
| 15 | 51022 | Pilot valve Kit 28 VDC Includes items: 12, 14 | 1 | 1 |
| - | 91188 | Seal Kit - Pilot valve | 1 | 1 |
| - | 51019 | Seal Kit - SBP Includes items: 4, 7, 10 | 1 | 1 |

SBP-1 SCP/SAP 012-064, SCPT/SAPT 090

SBP-2 SCP/SAP 084-108, SCPT/SAPT 130

For different types, see datasheet at <http://www.sunfab.com> or contact Sunfab