



**SAPT 090, 130 DIN is an addition to the SAP series that supports larger flows and pressure up to 300 bar.**

SAPT 090, 130 DIN are ideal for applications that require both a high flow and a high working pressure in combination with demands on small installation measurements. The pumps are either mounted directly on the power take-off or on a frame bracket via an intermediate shaft.

**Other advantages:**

- Light weight metal casing design
- Smooth operation over the entire speed range
- Long life due to high demands on material selection, such as bearings, seals, etc
- Corrosion free light metal-housing
- Less heat generation due to better ability to dissipate heat through housing

## Versions, main data

Example

<b>SA</b>	<b>PT</b>	-	<b>090</b>	<b>L</b>	-	<b>N</b>	-	<b>DL4</b>	-	<b>L35</b>	-	<b>S0</b>	<b>S</b>	-	<b>0</b>	<b>00</b>
Line	1		2	3		4		5		6		7	8		9	10

Line	
SA	Sunfab Aluminium

1. Type	
PT	Tipper pump

2. Displacement	
090	130

3. Direction of rotation	
R	Right
L	Left

4. Sealing	
N	Nitrile
V	HNBR

5. Mounting flange	
DL4	DIN 4-h (ISO 7653D)

6. Shaft	
L35	DIN 5462 / ISO 14

7. Connection cover	
S0	40° Sunfab standard

8. Connections	
S	Sunfab standard

9. Additional	
0	-

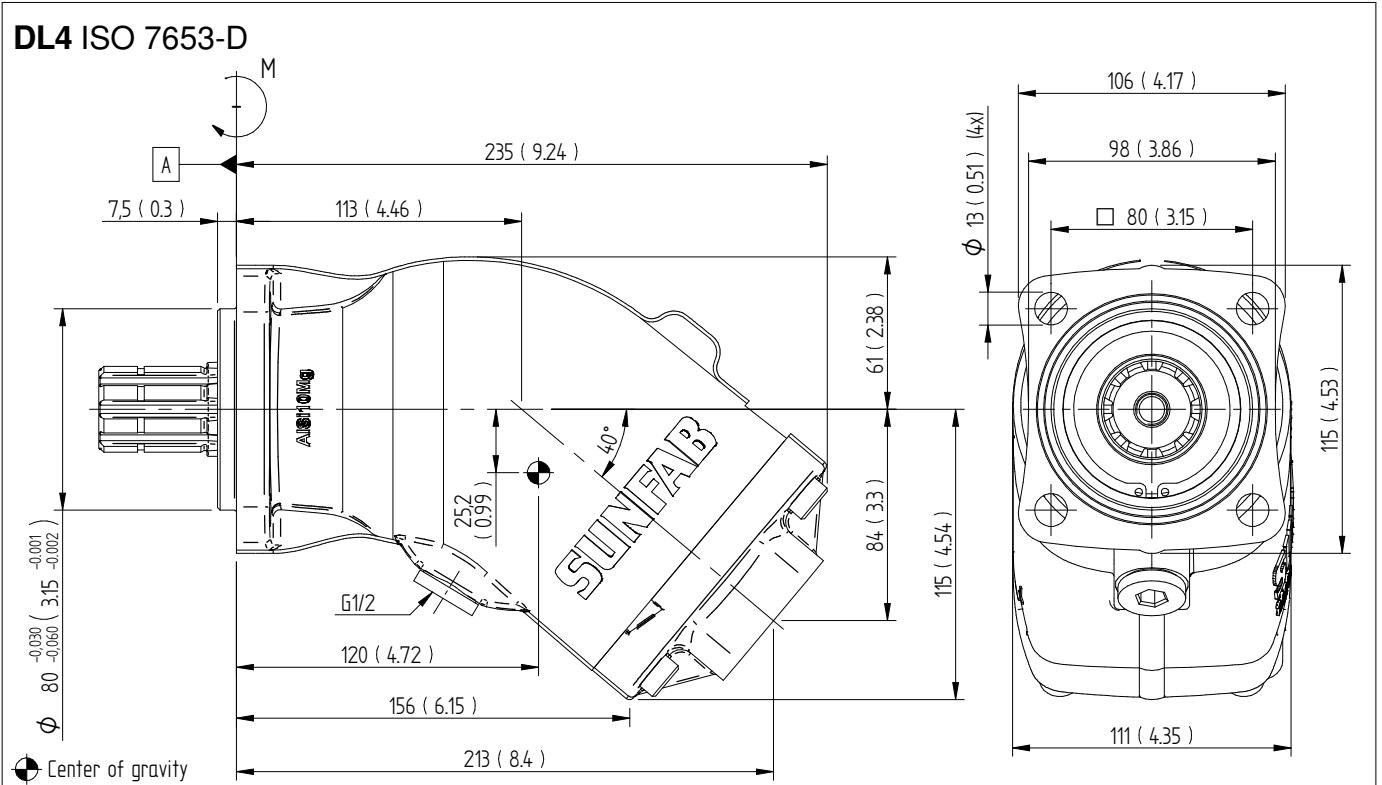
10. Accessories	
00	No accessories available

**SAPT 090, 130 DIN**

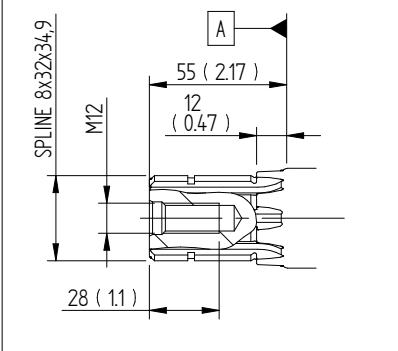
		090	130
Theoretical oil flow l/min at pump speed			l/min
	rpm	500	45
		1000	90
		1500	135
Displacement	cm <sup>3</sup> /rev	90.0	130.0
Max pump speed			
	rpm	1500	1500
continuous		2000	2000
limited			
Max working pressure	bar	300	300
Weight	kg	9.8	13.9
Tare-weight torque (M)	Nm	11.5	18.5
Direction of rotation	Left (L) or Right (R)		

# Dimensions SAP 040-064 DIN, SAPT 090 DIN

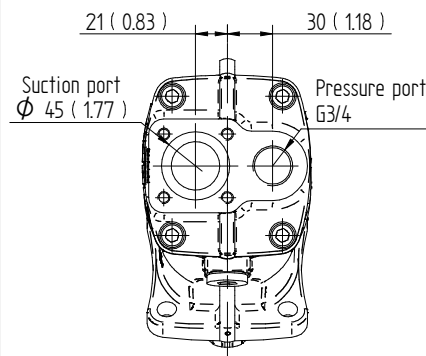
Millimeter (inch)



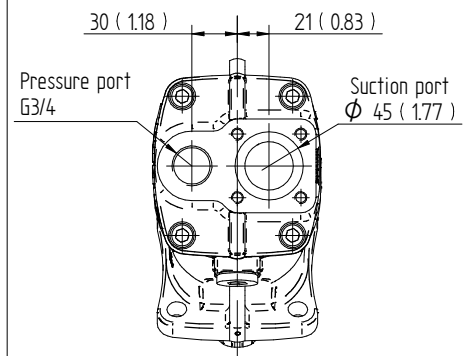
### L35 DIN 5462 / ISO 14



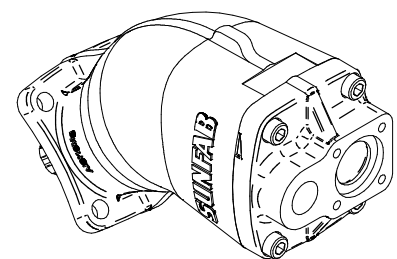
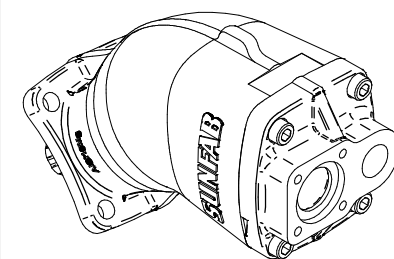
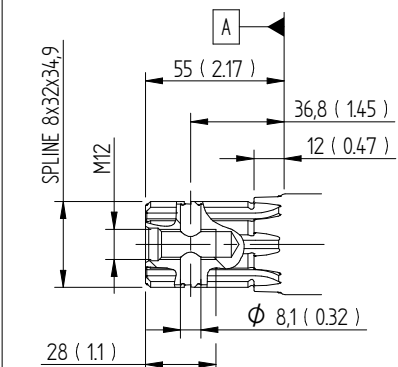
### S0S Left rotation (L)



### S0S Right rotation (R)

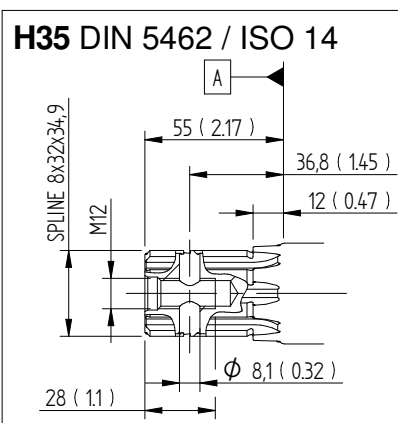
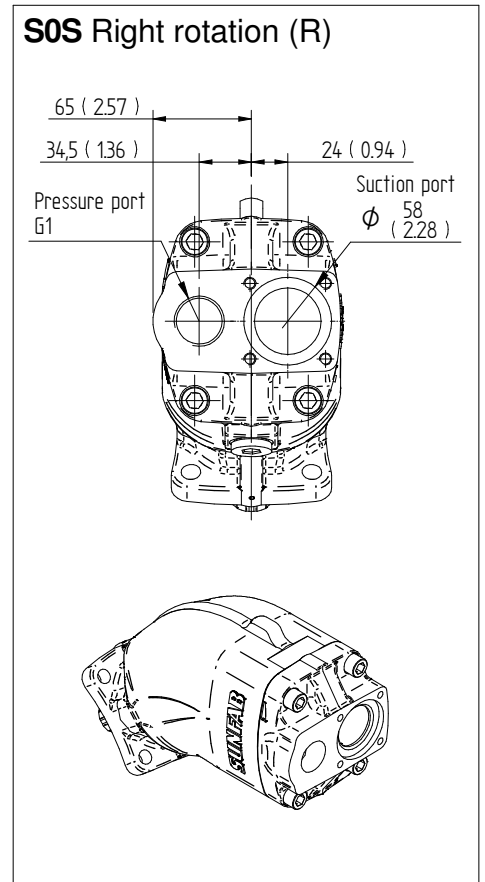
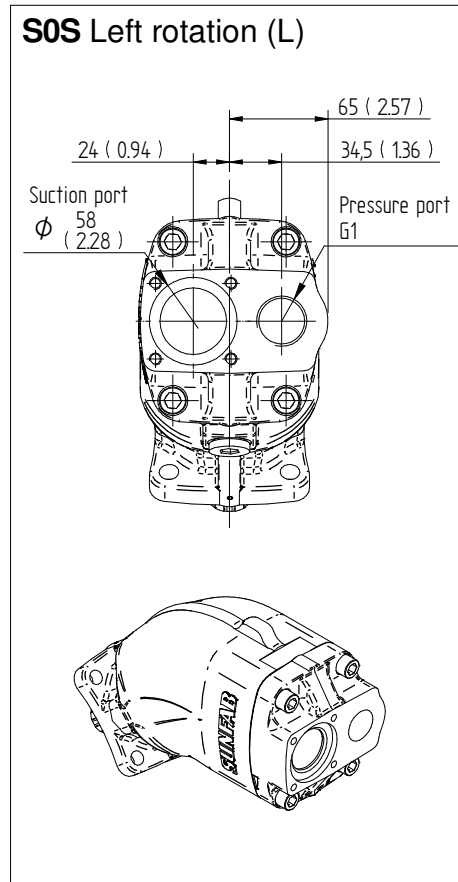
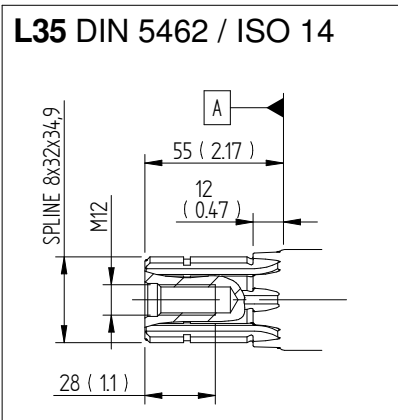
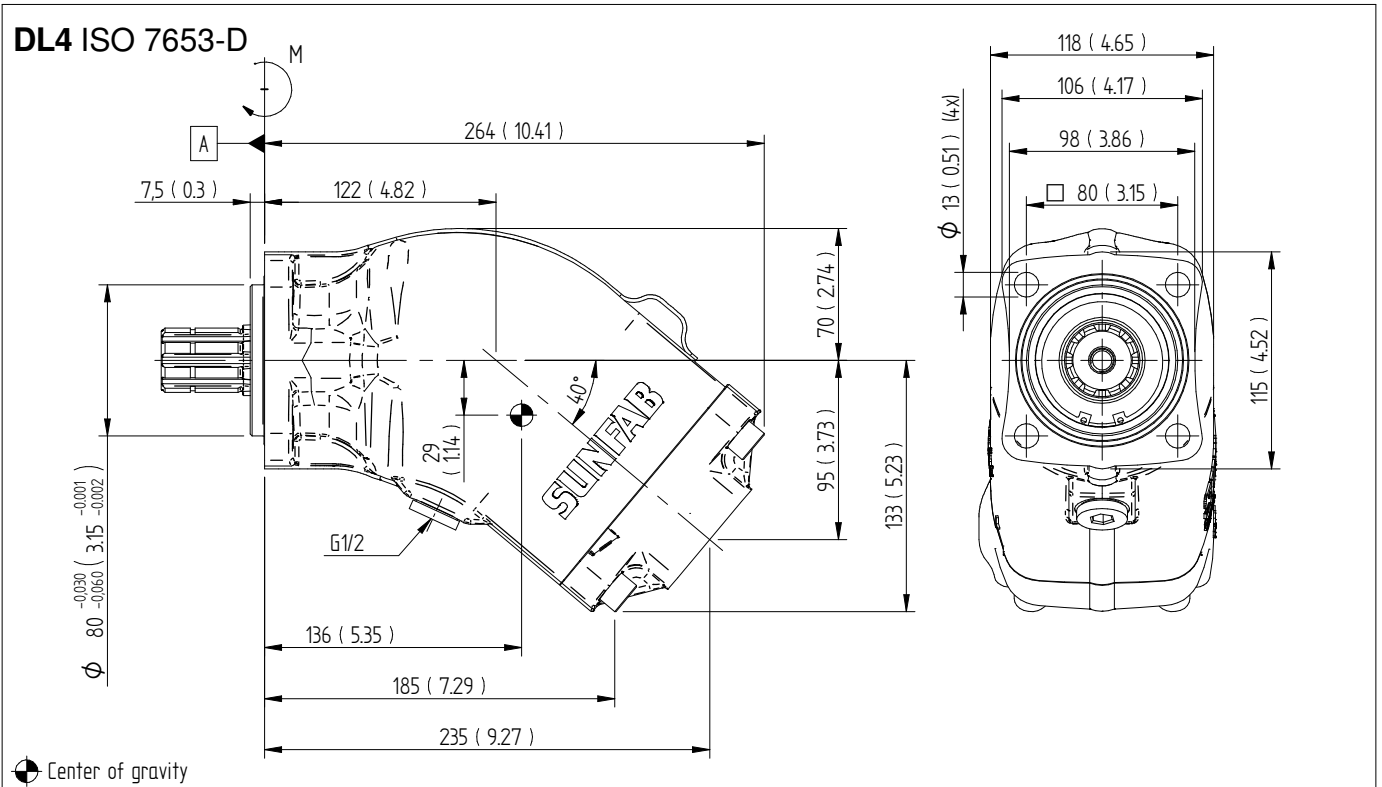


### H35 DIN 5462 / ISO 14



# Dimensions SAP 084-108 DIN, SAPT 130 DIN

Millimeter (inch)





**WARNING!**

When the pump is running:

1. Do not touch the pressure hose
2. Watch out for rotating parts
3. The pump and hoses may be hot

Sunfab reserves the right to make changes in design and dimensions without notice. Printing and typesetting errors reserved.

© Copyright 2021 Sunfab Hydraulics AB. All Rights Reserved.