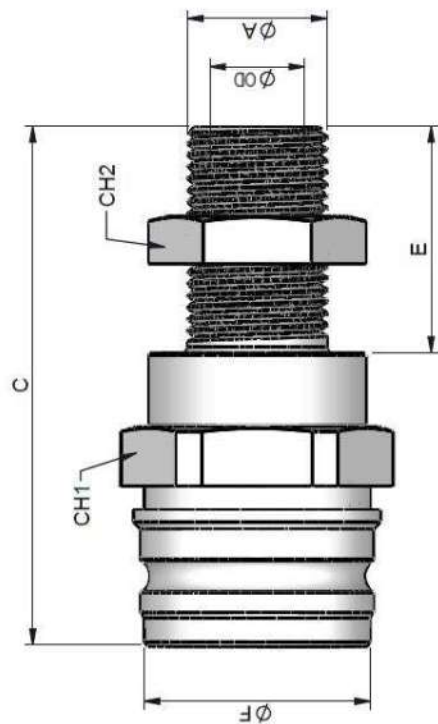


(S) 13 - 1/2" - MALE - BULKHEAD MALE THREAD



| (S) | ØA | OD | REF. | CH1 | CH2 | C | ØF | E |
|-----|---------|-----|-------------|-----|-----|---|----|---|
| 13 | M18x1.5 | 12L | 120.11113LE | | 24 | | | |