

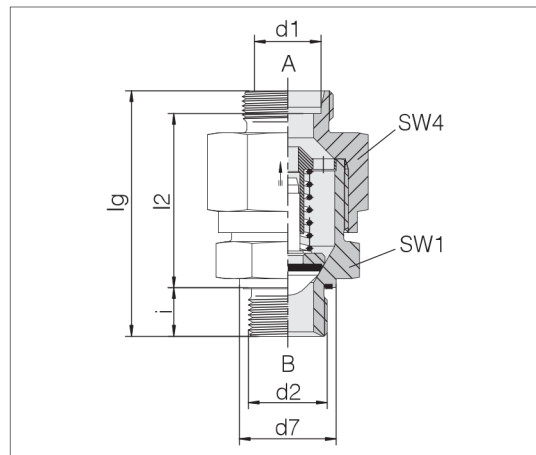
Standard non-return valves

Flow direction from threaded stud

Male thread: BSPP thread, cylindrical
 Threaded stud: ISO 1179-2 Form E
 Sealing type: Profile sealing ring PEFLEX
 Sealing material: Standard NBR

Tube coupling: 24° in acc. with ISO 8434-1

Opening pressure 1 bar



Series	d2	d7	Pressure	lg	l2	SW1	SW4	i	Nm -10 %	kg/100 ca.	Order-No.	Designation
Tube OD d1												
L	12	G 3/8 A	PB 250	61.5	42.5	27	30	12	80	17.2	0602332081	24-VNROPT-L12-G3/8E

Test pressure PP = 1.5-fold
 value in table

Example for comp. :
 RRHV06LREDOMD