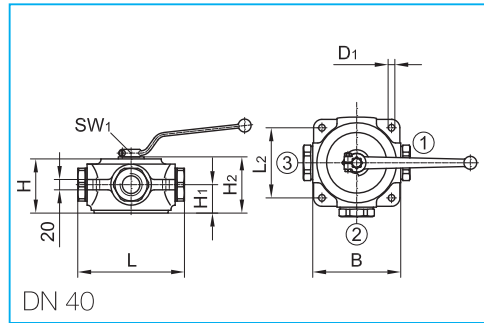
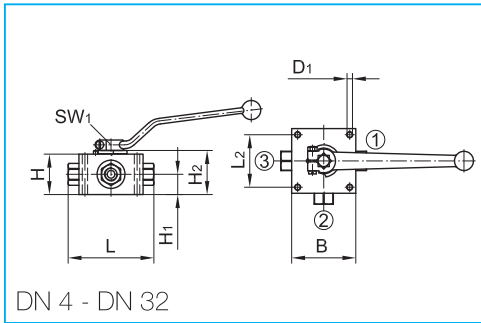


Multi-way ball valves with trunnion ball

3-way · steel · threaded connector · DN 4 - DN 40



Handle included in delivery

For more porting patterns refer to "Standard- and special porting patterns".

Also available with most other connections

Please check pressure rating of the pipe fittings!

*) can be actuated up to 100 bar manually

***) DN 40: grey cast iron

For handles refer to "Attachments, accessories"

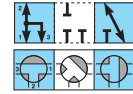
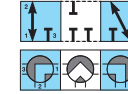
Actuators and custom orders on request

All dimensions subject to change without notice

Dimensions in mm

Weight in kg

Pressure in bar



| | L | L | T | T |
|----------------|---------------------------|---------------------------|---------------------------|---------------------------|
| Bore: | 90° | 90° | 90° | 90° |
| Cycling: | steel, black oxide | steel, black oxide | steel, black oxide | steel, black oxide |
| Body**): | steel, hard chrome plated | steel, hard chrome plated | steel, hard chrome plated | steel, hard chrome plated |
| Trunnion ball: | POM | PTFE | POM | PTFE |
| Ball seals: | NBR | FKM | NBR | FKM |
| Shaft seals: | | | | |

| Connection | DN | Thread D | OD | L | L1 | L2 | B | H | H1 | H2 | D1 | SW | SW1 | Handle Code | Weight |
|---|---------------------------------------|--------------------|-------|-----|------|-----|-----|------|-------|-------|------|-----|-----|-------------|--------|
| For cut (clamp) ring tube fittings DIN 2353 light series ISO 8434-1 | 4 | M12 x 1,5 | 6 | 100 | 10 | 55 | 70 | 40 | 20,0 | 44,5 | 6,7 | 19 | 12 | 7 | 1,58 |
| | 6 | M14 x 1,5 | 8 | 100 | 10 | 55 | 70 | 40 | 20,0 | 44,5 | 6,7 | 19 | 12 | 7 | 1,57 |
| | 8 | M16 x 1,5 | 10 | 109 | 11 | 65 | 80 | 50 | 25,0 | 54,5 | 6,7 | 24 | 14 | 8 | 2,50 |
| | 10 | M18 x 1,5 | 12 | 109 | 11 | 65 | 80 | 50 | 25,0 | 54,5 | 6,7 | 24 | 14 | 8 | 2,50 |
| | 12 | M22 x 1,5 | 15 | 130 | 12 | 80 | 100 | 55 | 27,5 | 59,5 | 8,4 | 30 | 14 | 8 | 4,16 |
| | 16/12 | M26 x 1,5 | 18 | 136 | 12 | 80 | 100 | 55 | 27,5 | 59,5 | 8,4 | 30 | 14 | 8 | 4,26 |
| | 20 | M30 x 2 | 22 | 138 | 14 | 85 | 100 | 75 | 40,0 | 79,5 | 8,4 | 41 | 19 | 10 | 5,71 |
| | 25 | M36 x 2 | 28 | 157 | 14 | 105 | 120 | 81 | 43,5 | 85,5 | 10,5 | 50 | 19 | 10 | 8,60 |
| | 32 | M45 x 2 | 35 | 210 | 16 | 106 | 180 | 100 | 50,0 | 104,5 | 10,5 | 60 | 19 | 10 | 17,10 |
| | 40 | M52 x 2 | 42 | 256 | 16 | 150 | 190 | 116 | 61,0 | 120,5 | 14,5 | 75 | 19 | 10 | 20,84 |
| For cut (clamp) ring tube fittings DIN 2353 heavy series ISO 8434-1 | 4 | M16 x 1,5 | 8 | 106 | 12 | 55 | 70 | 40 | 20,0 | 44,5 | 6,7 | 19 | 12 | 7 | 1,61 |
| | 6 | M18 x 1,5 | 10 | 106 | 12 | 55 | 70 | 40 | 20,0 | 44,5 | 6,7 | 19 | 12 | 7 | 1,61 |
| | 8 | M20 x 1,5 | 12 | 111 | 12 | 65 | 80 | 50 | 25,0 | 54,5 | 6,7 | 24 | 14 | 8 | 2,52 |
| | 10 | M22 x 1,5 | 14 | 115 | 14 | 65 | 80 | 50 | 25,0 | 54,5 | 6,7 | 24 | 14 | 8 | 2,53 |
| | 12 | M24 x 1,5 | 16 | 134 | 14 | 80 | 100 | 55 | 27,5 | 59,5 | 8,4 | 30 | 14 | 8 | 4,15 |
| | 16/12 | M30 x 2 | 20 | 144 | 16 | 80 | 100 | 55 | 27,5 | 59,5 | 8,4 | 36 | 14 | 8 | 4,32 |
| | 20 | M36 x 2 | 25 | 146 | 18 | 85 | 100 | 75 | 40,0 | 79,5 | 8,4 | 41 | 19 | 10 | 5,82 |
| | 25 | M42 x 2 | 30 | 169 | 20 | 105 | 120 | 81 | 43,5 | 85,5 | 10,5 | 50 | 19 | 10 | 8,73 |
| | 32 | M52 x 2 | 38 | 222 | 22 | 106 | 180 | 100 | 50,0 | 104,5 | 10,5 | 60 | 19 | 10 | 17,40 |
| | BSP-female thread DIN EN ISO 228-1 | 4 | G 1/8 | - | 102 | 12 | 55 | 70 | 40 | 20,0 | 44,5 | 6,7 | 19 | 12 | 7 |
| 6 | | G 1/4 | - | 102 | 12 | 55 | 70 | 40 | 20,0 | 44,5 | 6,7 | 19 | 12 | 7 | 1,60 |
| 10 | | G 3/8 | - | 107 | 14 | 65 | 80 | 50 | 25,0 | 54,5 | 6,7 | 24 | 14 | 8 | 2,51 |
| 12 | | G 1/2 | - | 129 | 15 | 80 | 100 | 55 | 27,5 | 59,5 | 8,4 | 30 | 14 | 8 | 4,20 |
| 16/12 | | G 5/8 | - | 146 | 18 | 80 | 100 | 55 | 27,5 | 59,5 | 8,4 | 36 | 14 | 8 | 4,31 |
| 20 | | G 3/4 | - | 132 | 18 | 85 | 100 | 75 | 40,0 | 79,5 | 8,4 | 41 | 19 | 10 | 5,82 |
| 25 | | G1 | - | 162 | 20 | 105 | 120 | 81 | 43,5 | 85,5 | 10,5 | 50 | 19 | 10 | 8,95 |
| 32 | | G1 1/4 | - | 188 | 20 | 106 | 180 | 100 | 50,0 | 104,5 | 10,5 | 60 | 19 | 10 | 16,61 |
| 40 | G1 1/2 | - | 224 | 25 | 150 | 190 | 116 | 61,0 | 120,5 | 14,5 | 75 | 19 | 10 | 20,30 | |
| NPT-female thread ANSI/ASME B1.20.1-1983 | 4 | 1/8 - 27 NPT | - | 102 | 6,9 | 55 | 70 | 40 | 20,0 | 44,5 | 6,7 | 19 | 12 | 7 | 1,63 |
| | 6 | 1/4 - 18 NPT | - | 102 | 10,0 | 55 | 70 | 40 | 20,0 | 44,5 | 6,7 | 19 | 12 | 7 | 1,60 |
| | 10 | 3/8 - 18 NPT | - | 107 | 10,3 | 65 | 80 | 50 | 25,0 | 54,5 | 6,7 | 24 | 14 | 8 | 2,51 |
| | 12 | 1/2 - 14 NPT | - | 129 | 13,6 | 80 | 100 | 55 | 27,5 | 59,5 | 8,4 | 30 | 14 | 8 | 4,20 |
| | 20 | 3/4 - 14 NPT | - | 132 | 14,1 | 85 | 100 | 75 | 40,0 | 79,5 | 8,4 | 41 | 19 | 10 | 5,82 |
| | 25 | 1 - 11 1/2 NPT | - | 162 | 16,8 | 105 | 120 | 81 | 43,5 | 85,5 | 10,5 | 50 | 19 | 10 | 8,95 |
| | 32 | 1 1/4 - 11 1/2 NPT | - | 188 | 17,3 | 106 | 180 | 100 | 50,0 | 104,5 | 10,5 | 60 | 19 | 10 | 16,61 |
| | 40 | 1 1/2 - 11 1/2 NPT | - | 224 | 17,3 | 150 | 190 | 116 | 61,0 | 120,5 | 14,5 | 75 | 19 | 10 | 20,30 |

| DN | PN | Article-No. | PN | Article-No. | PN | Article-No. | PN | Article-No. |
|------|------|-------------|---------|-------------|---------|-------------|---------|-------------|
| 4 | 500 | 202 001 | 100 | 202 026 | 500 | 202 051 | 100 | 202 076 |
| | 500 | 202 002 | 100 | 202 027 | 500 | 202 052 | 100 | 202 077 |
| | 500 | 202 003 | 100 | 202 028 | 500 | 202 053 | 100 | 202 078 |
| | 500 | 202 004 | 100 | 202 029 | 500 | 202 054 | 100 | 202 079 |
| | 500 | 202 005 | 100 | 202 030 | 500 | 202 055 | 100 | 202 080 |
| | 500 | 202 006 | 100 | 202 031 | 500 | 202 056 | 100 | 202 081 |
| | 315 | 202 901 | 100 | 202 902 | 315 | 202 903 | 100 | 202 904 |
| | 315 | 202 921 | 100 | 202 922 | 315 | 202 923 | 100 | 202 924 |
| | 315* | 202 253 | 100 | 202 278 | 315* | 202 303 | 100 | 202 328 |
| | 100 | 202 940 | 100 | 202 955 | 100 | 202 970 | 100 | 202 985 |
| 6 | 500 | 202 007 | 100 | 202 032 | 500 | 202 057 | 100 | 202 082 |
| | 500 | 202 008 | 100 | 202 033 | 500 | 202 058 | 100 | 202 083 |
| | 500 | 202 009 | 100 | 202 034 | 500 | 202 059 | 100 | 202 084 |
| | 500 | 202 010 | 100 | 202 035 | 500 | 202 060 | 100 | 202 085 |
| | 500 | 202 011 | 100 | 202 036 | 500 | 202 061 | 100 | 202 086 |
| | 500 | 202 012 | 100 | 202 037 | 500 | 202 062 | 100 | 202 087 |
| | 315 | 202 905 | 100 | 202 906 | 315 | 202 907 | 100 | 202 908 |
| | 315 | 202 925 | 100 | 202 926 | 315 | 202 927 | 100 | 202 928 |
| | 315* | 202 257 | 100 | 202 282 | 315* | 202 307 | 100 | 202 332 |
| | 8 | 500 | 202 013 | 100 | 202 038 | 500 | 202 063 | 100 |
| 500 | | 202 014 | 100 | 202 039 | 500 | 202 064 | 100 | 202 089 |
| 500 | | 202 015 | 100 | 202 040 | 500 | 202 065 | 100 | 202 090 |
| 500 | | 202 016 | 100 | 202 041 | 500 | 202 066 | 100 | 202 091 |
| 500 | | 202 017 | 100 | 202 042 | 500 | 202 067 | 100 | 202 092 |
| 315 | | 202 909 | 100 | 202 910 | 315 | 202 911 | 100 | 202 912 |
| 315 | | 202 929 | 100 | 202 930 | 315 | 202 931 | 100 | 202 932 |
| 315* | | 202 260 | 100 | 202 285 | 315* | 202 310 | 100 | 202 335 |
| 100 | | 202 947 | 100 | 202 962 | 100 | 202 977 | 100 | 202 992 |
| 10 | | 500 | 202 018 | 100 | 202 043 | 500 | 202 068 | 100 |
| | 500 | 202 019 | 100 | 202 044 | 500 | 202 069 | 100 | 202 094 |
| | 500 | 202 020 | 100 | 202 045 | 500 | 202 070 | 100 | 202 095 |
| | 500 | 202 021 | 100 | 202 046 | 500 | 202 071 | 100 | 202 096 |
| | 315 | 202 913 | 100 | 202 914 | 315 | 202 915 | 100 | 202 916 |
| | 315 | 202 933 | 100 | 202 934 | 315 | 202 935 | 100 | 202 936 |
| | 315* | 202 264 | 100 | 202 289 | 315* | 202 314 | 100 | 202 339 |
| | 100 | 202 951 | 100 | 202 966 | 100 | 202 981 | 100 | 202 996 |